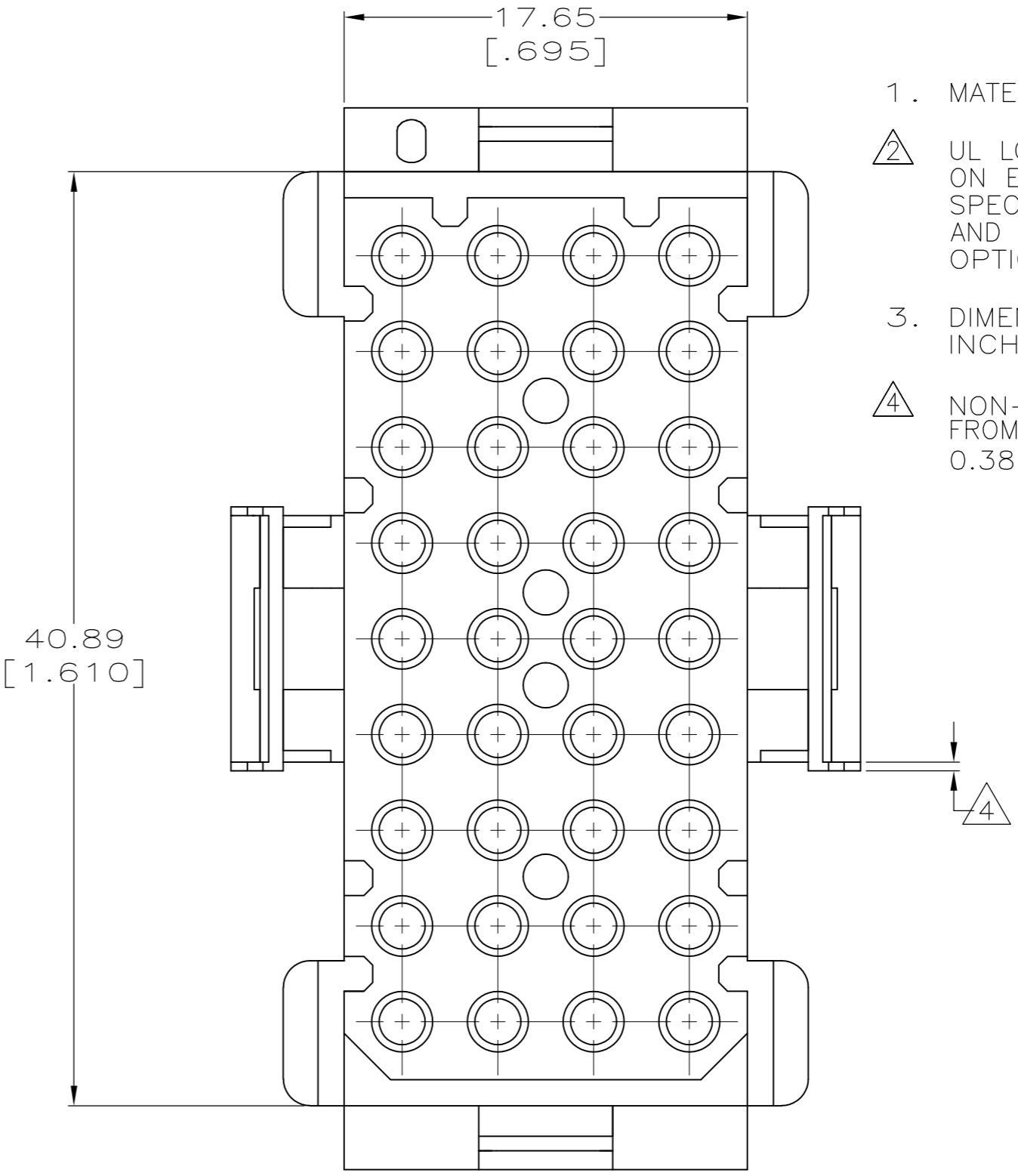
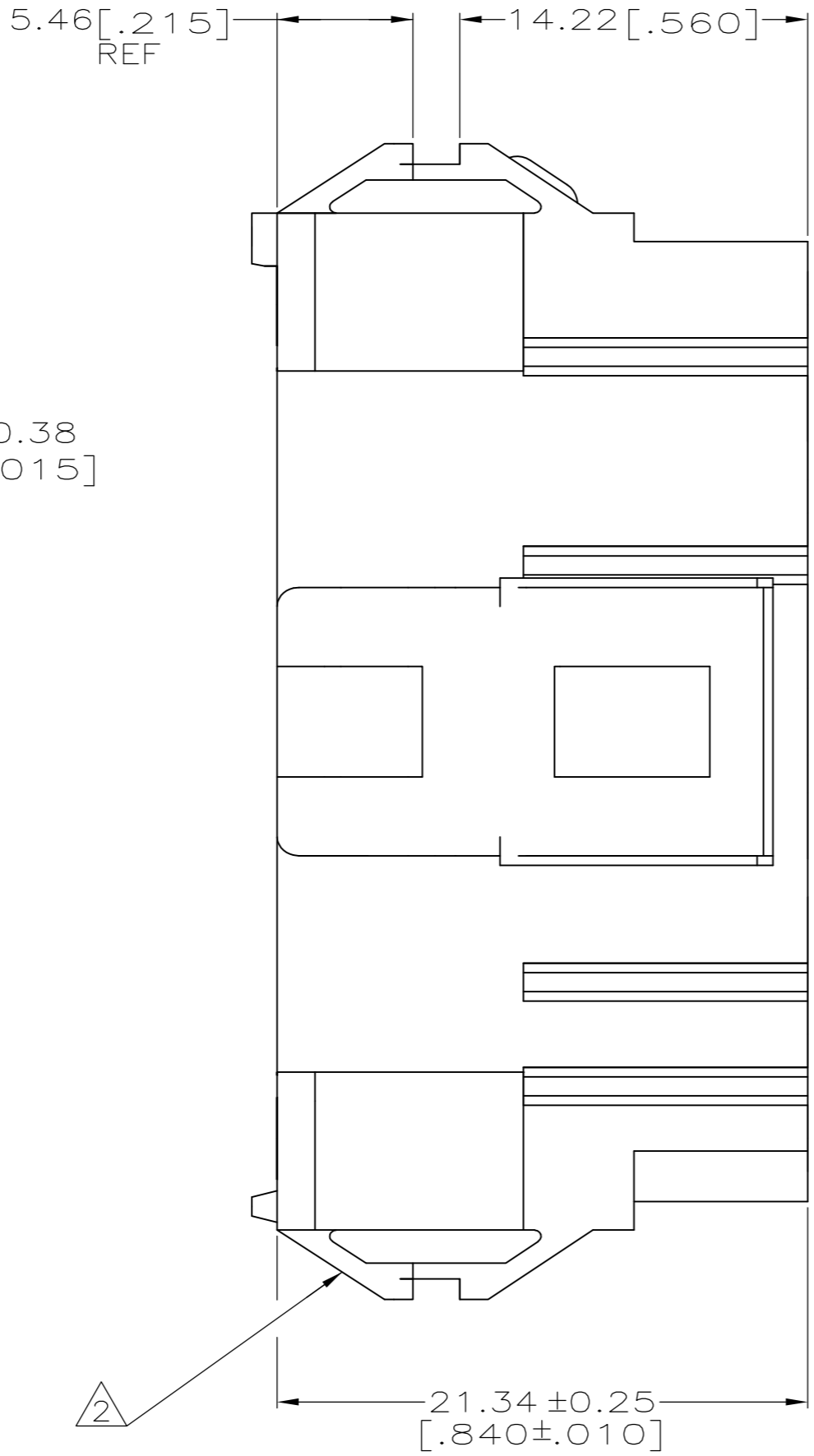
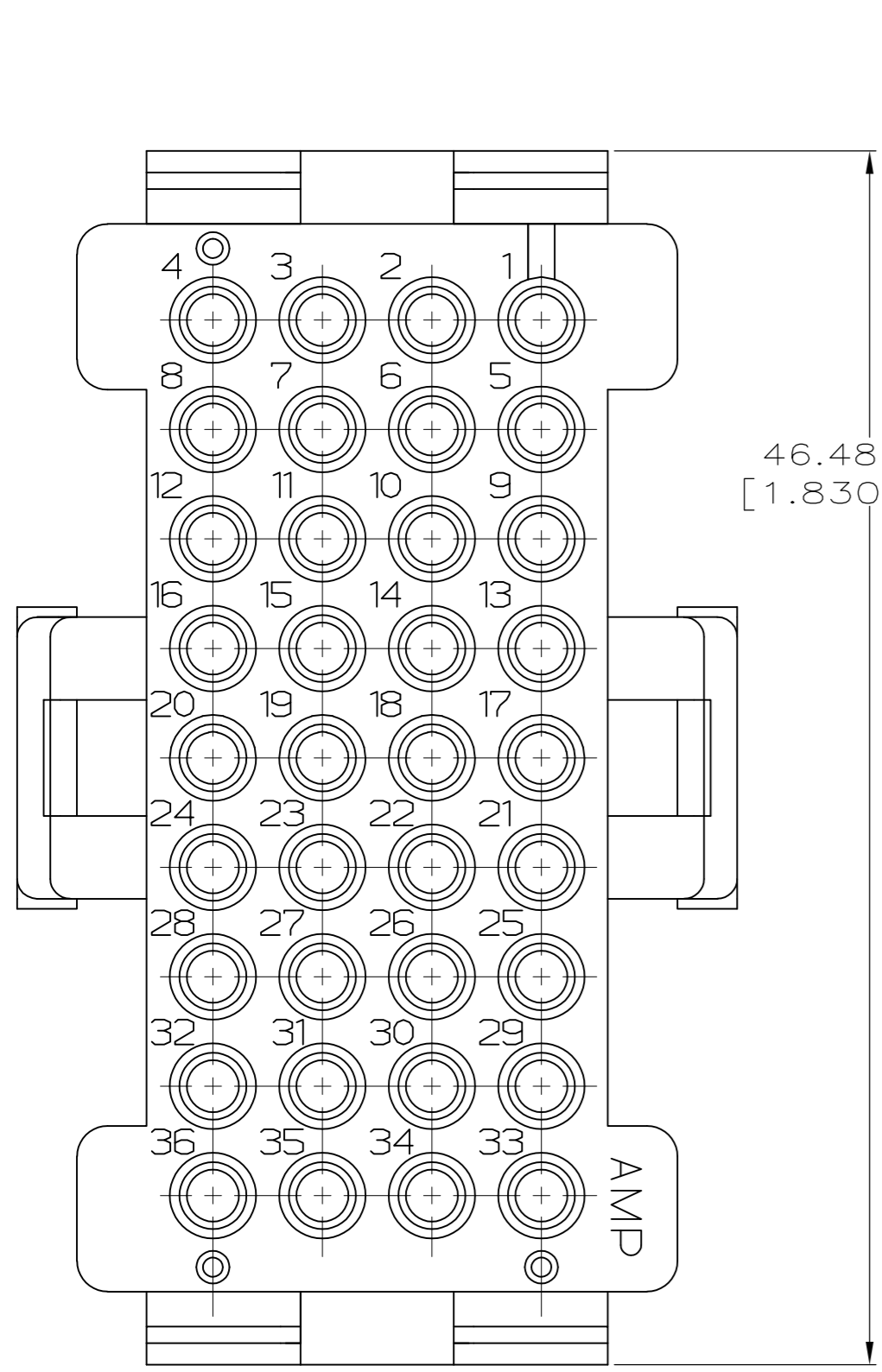
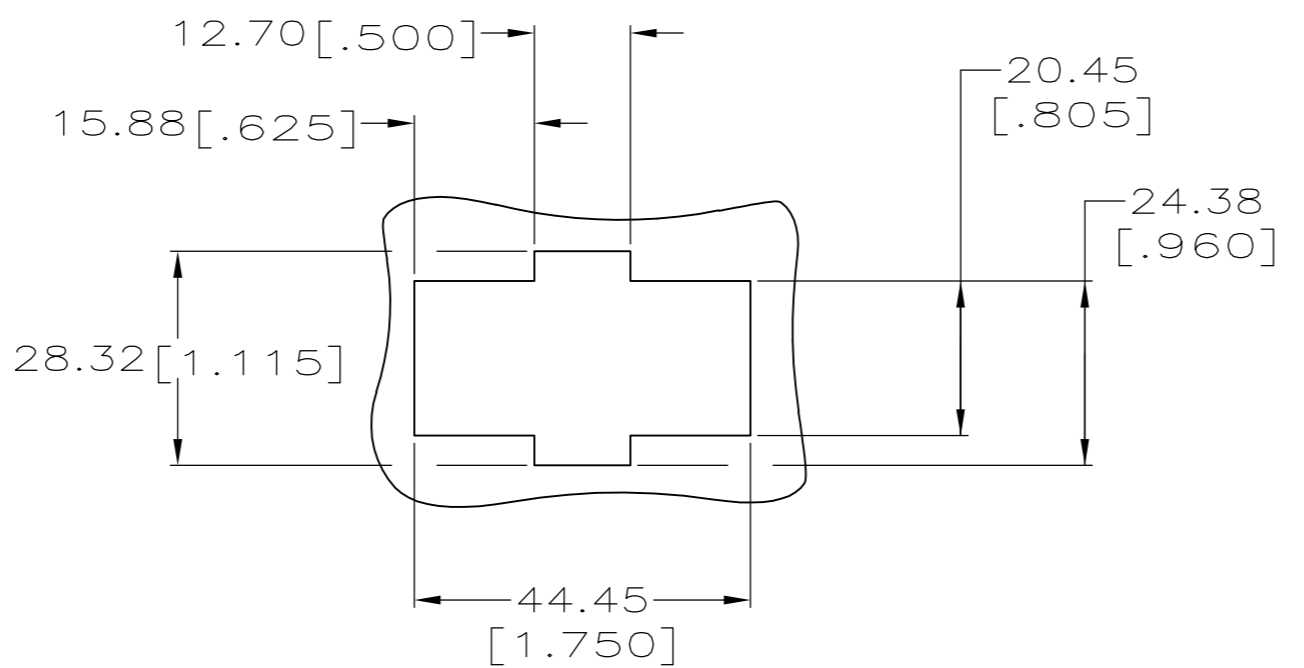
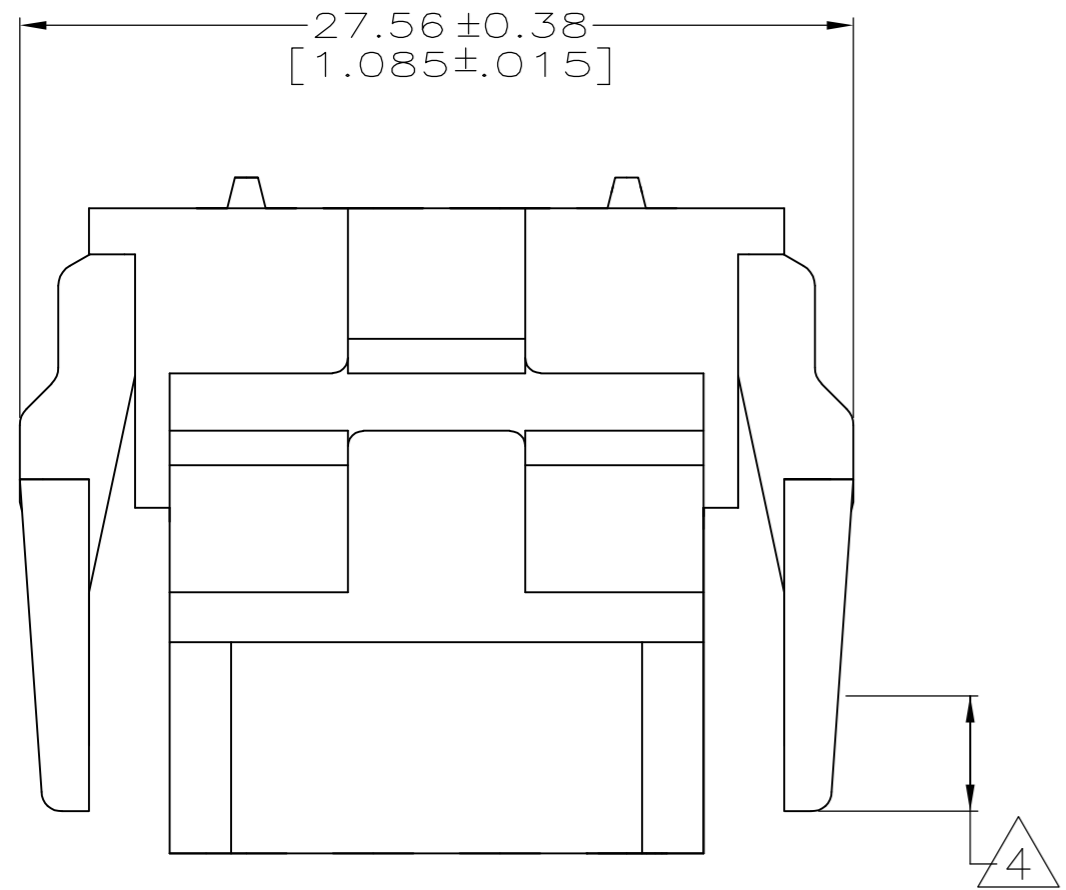


THIS DRAWING IS UNPUBLISHED. RELEASED FOR PUBLICATION
 © COPYRIGHT - By - ALL RIGHTS RESERVED.

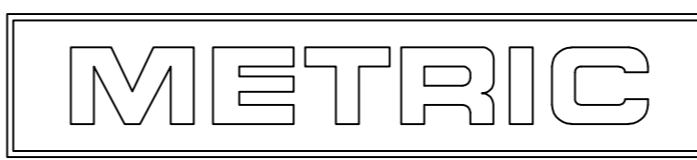
LOC		DIST		REVISIONS			
P	LTR	DESCRIPTION		DATE	DWN	APVD	
CM	52	E1	REVISED PER ECO-11-005027		12MAR11	RK	HMR



- MATES WITH HOUSING 640516.
- UL LOGO AND CSA LOGO TO APPEAR ON EITHER LATCH SURFACE PER AMP SPEC 202-20, I.D. NO. 1-18838-3 AND 1-18839-3. FROST BACKGROUND OPTIONAL.
- DIMENSIONS IN BRACKETS ARE IN INCHES.
- NON-FILL PERMITTED UP TO 3.8[.15] FROM EDGE OF LATCH ARM ON THE 0.38[.015] THICK FLANGE, 4 PLC.



RECOMMENDED CUT OUT FOR 1.73[.068] MAX THICK PANEL SCALE 1:1



1-640526-0
PART NUMBER

THIS DRAWING IS A CONTROLLED DOCUMENT.		DWN	R. VESTAL	12-01-97	TE Connectivity HOUSING, PLUG MRII 36 POSITION	SIZE	A2	CAGE CODE	00779	DRAWING NO	C-640526	RESTRICTED TO	-	
DIMENSIONS: mm [INCHES]		CHK	R. SWING	12-01-97		APPLICATION SPEC	SCALE	4:1	SHEET	1 OF 1	REV	E1		
TOLERANCES UNLESS OTHERWISE SPECIFIED:		APVD	A. BEDDICK	12-01-97		PRODUCT SPEC								
0 PLC ± -		MATERIAL		FINISH		WEIGHT								
1 PLC ± -		NYLON, UL 94V-0, NATURAL (BRICK RED)												
2 PLC ± 0.13[.005]														
3 PLC ± -														
4 PLC ± -														
ANGLES ± 0°30'														