

DESIGNED & DIMENSIONED
IN MILLIMETERS [INCHES]

HDBNC-J-P-XX-RA-BHX

DO NOT
SCALE FROM
THIS PRINT

ITEM	COMPONENT	-HF	-HN	-GF	-GN
1	SUB ASSEMBLY	SUB-HDBNC-J-P-XX-RA-BHX (SEE TABLE 2)			
2	NUT	HDBNC-NUT-001-N			

GENDER
-J: JACK

TYPE
-P: PCB

TERMINATION
-BH1: BULKHEAD THROUGH HOLE .062 BOARD
-BH2: BULKHEAD THROUGH HOLE .093 BOARD
-BH3: BULKHEAD THROUGH HOLE, ROUND LEGS .062 BOARD

ORIENTATION
-RA: RIGHT ANGLE

PLATING SPECIFICATION
-HF: 30µ" GOLD CENTER CONTACT,
3µ" GOLD OUTER CONTACT
100µ" NICKEL ON BODY
-HN: 30µ" GOLD CENTER CONTACT,
100µ" NICKEL OUTER CONTACT
100µ" NICKEL ON BODY
-GF: 10µ" GOLD CENTER CONTACT,
3µ" GOLD OUTER CONTACT
100µ" NICKEL ON BODY
-GN: 10µ" GOLD CENTER CONTACT,
100µ" NICKEL OUTER CONTACT
100µ" NICKEL ON BODY
(SEE TABLE 1)

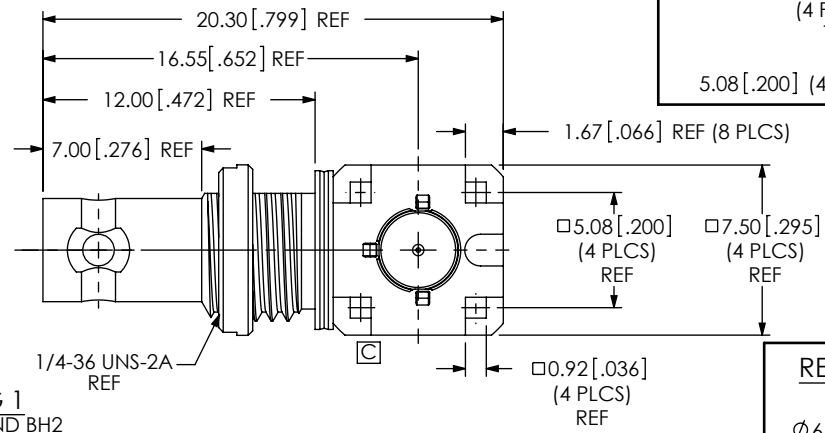
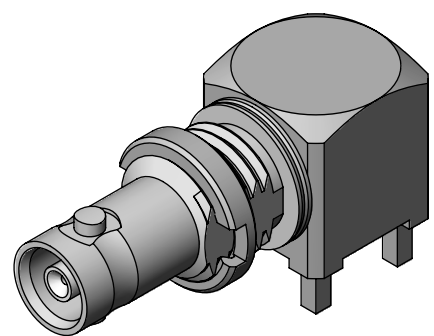
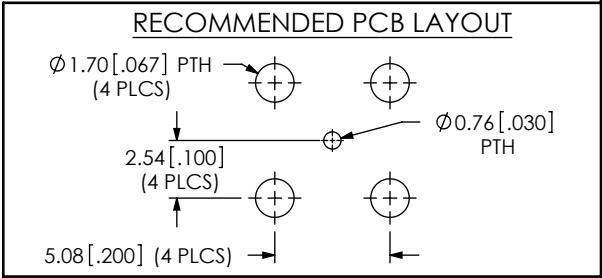
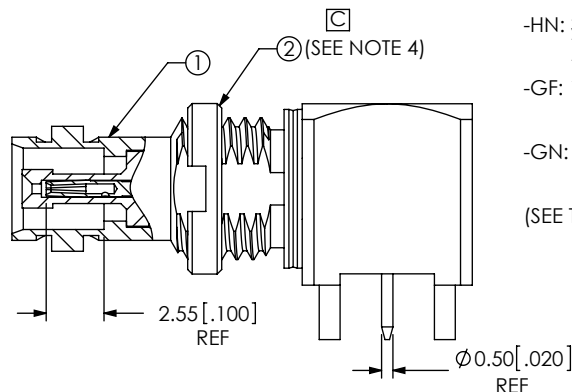
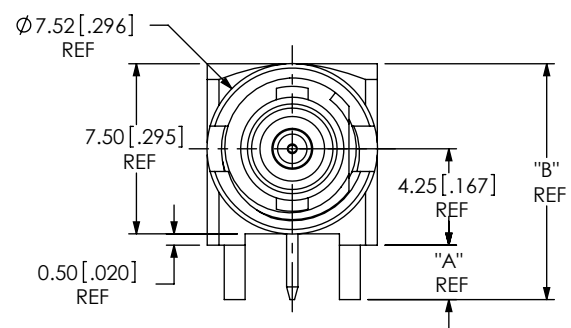
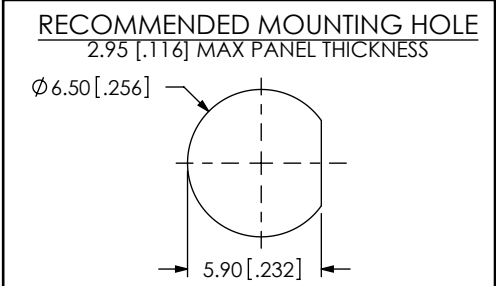


FIG 1
-BH1 AND BH2
HDBNC-J-P-XX-RA-BH1 SHOWN



	-HF	-HN	-GF	-GN	"A"	"B"
-BH1	SUB-HDBNC-J-P-HF-RA-BH1	SUB-HDBNC-J-P-HN-RA-BH1	SUB-HDBNC-J-P-GF-RA-BH1	SUB-HDBNC-J-P-GN-RA-BH1	2.40	10.40
-BH2	SUB-HDBNC-J-P-HF-RA-BH2	SUB-HDBNC-J-P-HN-RA-BH2	SUB-HDBNC-J-P-GF-RA-BH2	SUB-HDBNC-J-P-GN-RA-BH2	3.70	11.70
-BH3	SUB-HDBNC-J-P-HF-RA-BH3	SUB-HDBNC-J-P-HN-RA-BH3	SUB-HDBNC-J-P-GF-RA-BH3	SUB-HDBNC-J-P-GN-RA-BH3	2.40	10.40

- NOTES:
- Ⓢ REPRESENTS A CRITICAL DIMENSION.
 - NOTE DELETED.
 - PRODUCT TO BE PACKAGED PER PACKING STANDARD CO-HD-WI-3040-M.
TRAY: TY-SMA-001-1
COVER: TY-SMA-001-2
 - NUT TO BE PACKAGED SEPARATELY.

UNLESS OTHERWISE SPECIFIED,
DIMENSIONS ARE IN MILLIMETERS.
TOLERANCES ARE:
DECIMALS ANGLES
X.X: ±0.3 [.01] 5°
X.XX: ±0.13 [.005]
X.XXX: ±0.051 [.0020]

PROPRIETARY NOTE
THIS DOCUMENT CONTAINS INFORMATION
CONFIDENTIAL AND PROPRIETARY TO
SAMTEC, INC. AND SHALL NOT BE REPRODUCED
OR TRANSFERRED TO OTHER DOCUMENTS OR
DISCLOSED TO OTHERS OR USED FOR ANY
PURPOSE OTHER THAN THAT WHICH IT WAS
OBTAINED WITHOUT THE EXPRESSED WRITTEN
CONSENT OF SAMTEC, INC.



520 PARK EAST BLVD, NEW ALBANY, IN 47150
PHONE: 812-944-6733 FAX: 812-948-5047
e-Mail: info@SAMTEC.com code 55322

MATERIAL: DO NOT SCALE DRAWING SHEET SCALE: 3:1
SOCKET: BeCu
SHELL, BODY, NUT: BRASS
INSULATOR: PTFE

DESCRIPTION:
HD BNC 75 OHM, RA JACK BULKHEAD
DWG. NO.
HDBNC-J-P-XX-RA-BHX

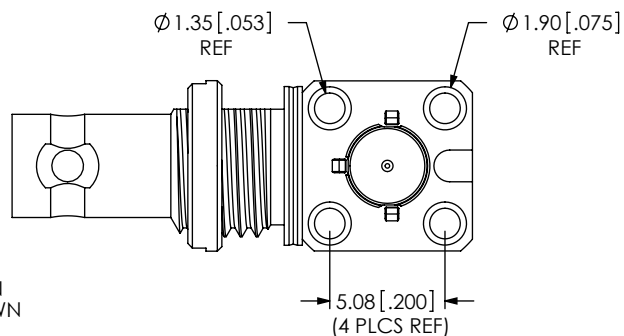
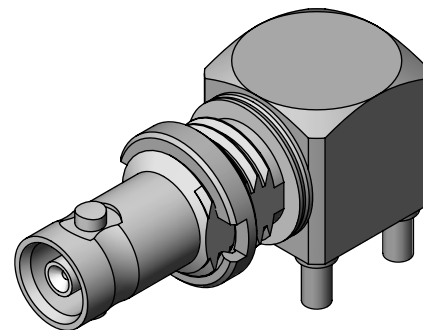
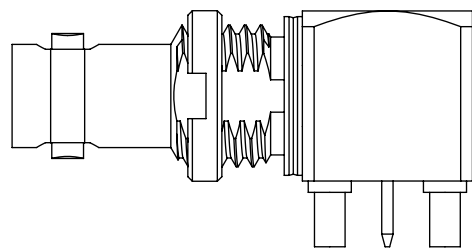
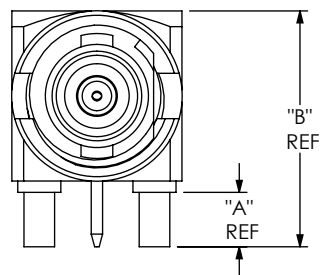
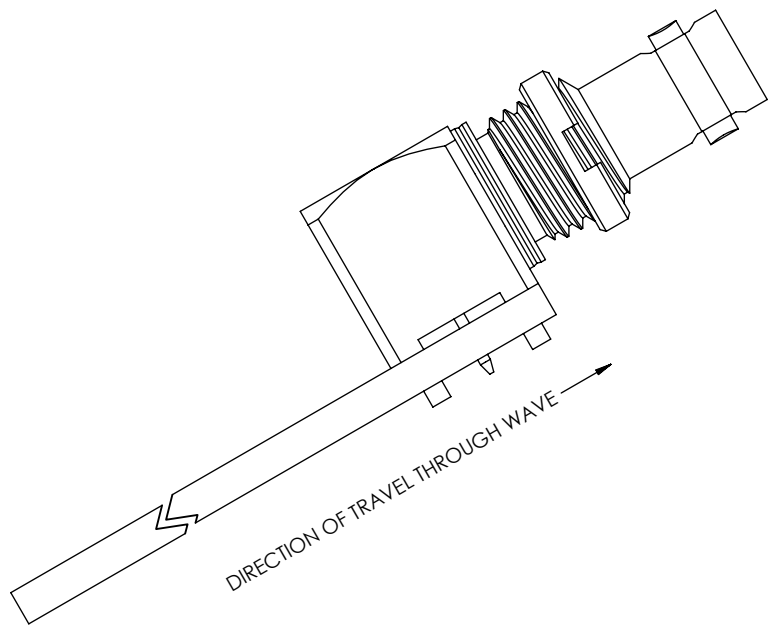


FIG 2
HDBNC-J-P-XX-RA-BH3 SHOWN
SAME AS FIG 1, EXCEPT AS SHOWN



RECOMMENDED PROCESSING ORIENTATION

PROPRIETARY NOTE
THIS DOCUMENT CONTAINS INFORMATION CONFIDENTIAL AND PROPRIETARY TO SAMTEC, INC. AND SHALL NOT BE REPRODUCED OR TRANSFERRED TO OTHER DOCUMENTS OR DISCLOSED TO OTHERS OR USED FOR ANY PURPOSE OTHER THAN THAT WHICH IT WAS OBTAINED WITHOUT THE EXPRESSED WRITTEN CONSENT OF SAMTEC, INC.

DO NOT SCALE DRAWING
SHEET SCALE: 3:1



520 PARK EAST BLVD, NEW ALBANY, IN 47150
PHONE: 812-944-6733 FAX: 812-948-5047
e-Mail info@SAMTEC.com code 55322

DESCRIPTION:
HD BNC 75 OHM, RA JACK BULKHEAD

DWG. NO.
HDBNC-J-P-XX-RA-BHX

BY: ALVIN W 02/17/2011 SHEET 2 OF 2