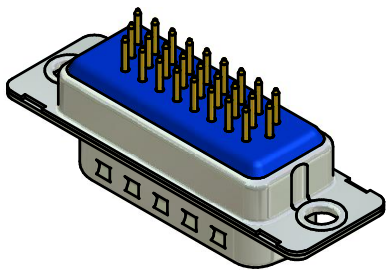
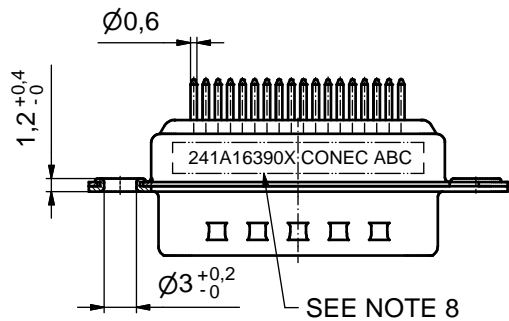
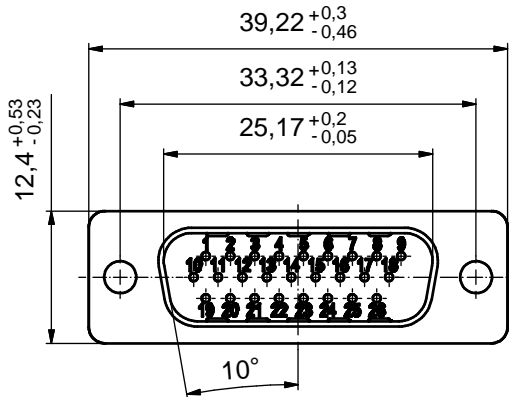
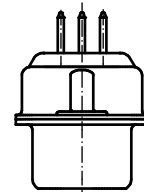
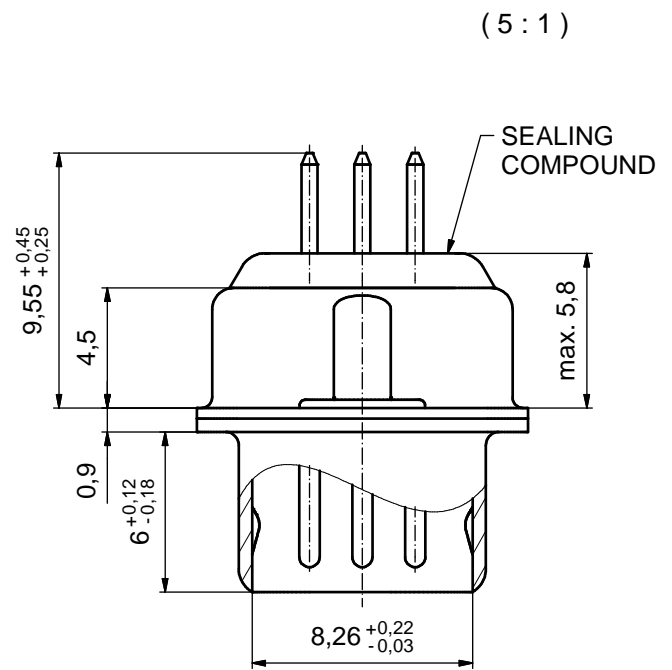


P.C.B. HOLE DRILLINGS



Directive 2002/95/EC
 "RoHS"
 Compliant



NOTES:

1. RoHS COMPLIANT
2. SUITABLE FOR WAVE SOLDERING
3. METALSHHELLS: STEEL; min. 315µin TIN over 40-80µin NICKEL
4. INSULATORS: HIGH TEMPERATURE PLASTIC UL 94 V-0, BLACK
5. CONTACTS: COPPER ALLOY
 PLATING: 8µin HARD GOLD over min. 50µin NICKEL
6. DIELECTRIC WITHSTANDING VOLTAGE: 300 VDC
7. CAPACITANCE: 370pF ± 20%
8. CONNECTOR IS PART MARKED: 241A16390X CONEC ABC

APPROVAL # FREIGABE # DEBLOCAGE # AUTORIZACION # APPROVAL

CUSTOMER APPROVAL DATE:

NAME: TITLE:

COMPANY NAME:

APPROVAL # FREIGABE # DEBLOCAGE # AUTORIZACION # APPROVAL

THIS DRAWING MAY NOT BE COPIED OR REPRODUCED IN ANY WAY, AND MAY NOT BE PASSED ON TO A THIRD PARTY WITHOUT WRITTEN PERMISSION. OWNERSHIP AND COPYRIGHT OF CONEC GmbH

DO NOT ALTER CAD DRAWING BY HAND

rev.	description	date	name
a	Origin		

tolerance	dim. in mm	scale:	2:1 (5:1)	
		material:	SEE NOTES	
drawn	17.09.08	Sonnenberg	title: D-SUB HD FILTER MALE 26pos. SOLDER PIN STRAIGHT	
appd.	17.09.08	Fischer		
norm				
d-old				
dwg no:		Inventor 10	DIN-A3	sh: 1
		24K1A1111		
part no:		241A16390X		

