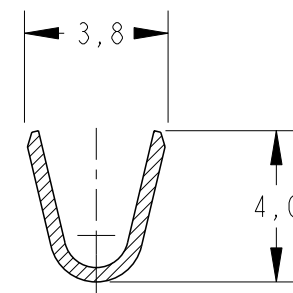
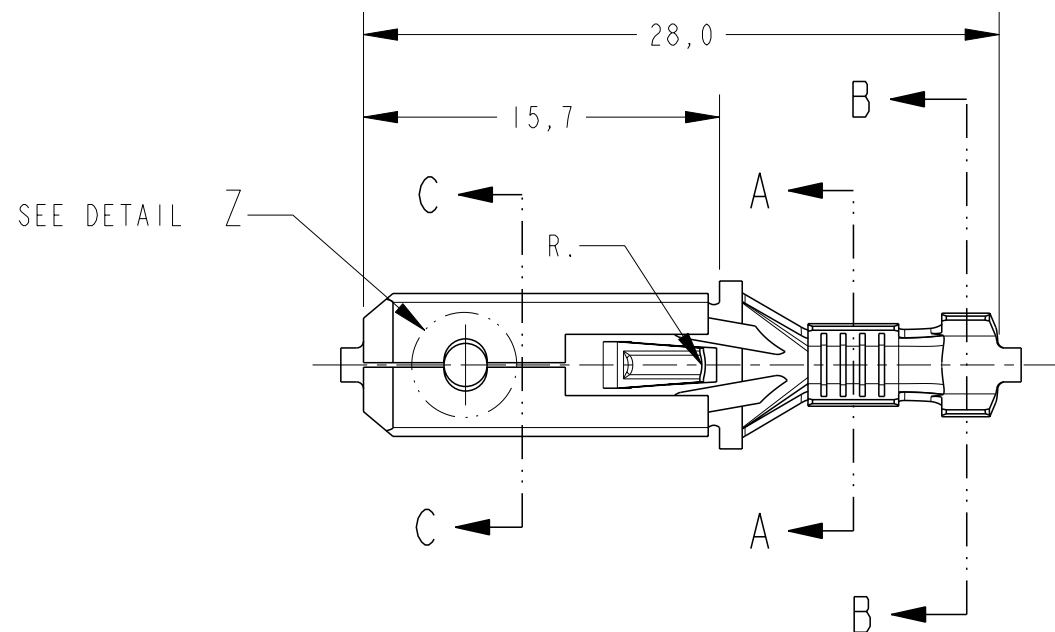


LOC
AP

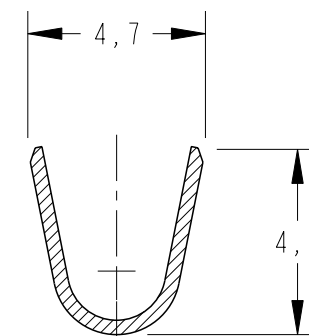
DIST
-

REVISIONS

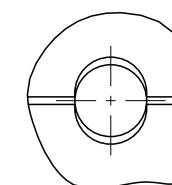
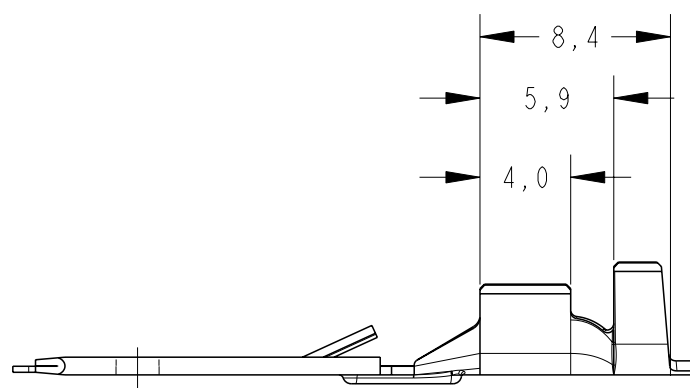
P	LTR	DESCRIPTION	DATE	DWN	APVD
	B1	REDRAW BY CAD ECO-12-014149	17AUG2012	NCL	DAO



SECTION A-A
SCALE 5:1



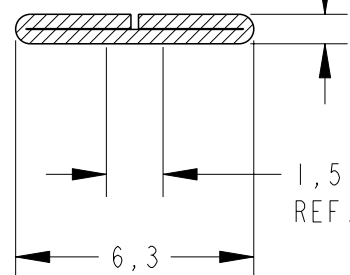
SECTION B-B
SCALE 5:1



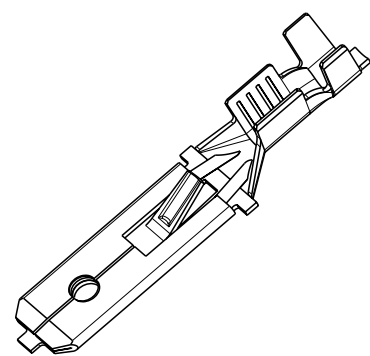
DETAIL Z
SCALE 5:1

CONSTRUÇÃO OPCIONAL
OPTIONAL CONSTRUCTION

0,8±0,1
 ESPESSURA DA LINGUETA NO
 COMPRIMENTO DE 1,5 ESPECIFICADO
 TAB THICKNESS ON 1,5
 SPECIFIED LENGTH



SECTION C-C
SCALE 5:1



PERSPECTIVE VIEW
SCALE 2:1

FINISH	MATERIAL	PART NUMBER
TIN PLATED / ESTANHADO	BRONZE FOSF. / PHOSP.BRONZE	444152 -4
—	BRONZE FOSF. / PHOSP.BRONZE	444152 -3
TIN PLATED / ESTANHADO	LATÃO / BRASS	444152 -2
—	LATÃO / BRASS	444152 -1

WIRE RANGE (mm ²)	>1,0-2,5mm ²
INSUL. RANGE (Ømm)	2,1-2,9mm

THIS DRAWING IS A CONTROLLED DOCUMENT.		DWN NCLAPRESA 11 JUL 2012	TE Connectivity TERMINAL FASTIN-FASTON.250 TAB
DIMENSIONS: mm		CHK JRGOLDSCHMIDT 11 JUL 2012	
TOLERANCES UNLESS OTHERWISE SPECIFIED:		APVD DAOLIVEIRA 11 JUL 2012	
0 PLC ±- 1 PLC ±0,3 2 PLC ±- 3 PLC ±- 4 PLC ±- ANGLES ±1° FINISH SEE TABLE		NAME -	
MATERIAL SEE TABLE	FINISH SEE TABLE	PRODUCT SPEC -	APPLICATION SPEC -
		WEIGHT -	SIZE A3
		CUSTOMER DRAWING	CAGE CODE 00779
			DRAWING NO C-444152
			RESTRICTED TO -
			SCALE 2:1
			SHEET 1 OF 1
			REV B1