

THIS DRAWING IS UNPUBLISHED.

RELEASED FOR PUBLICATION

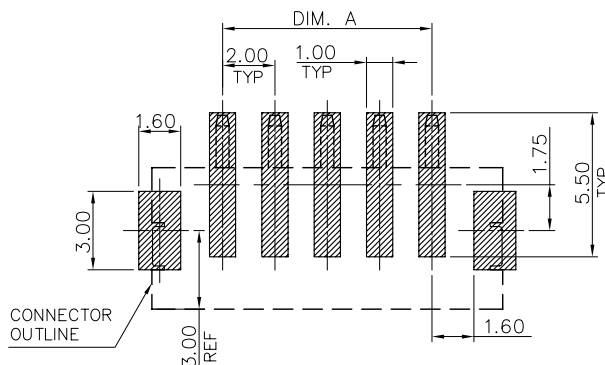
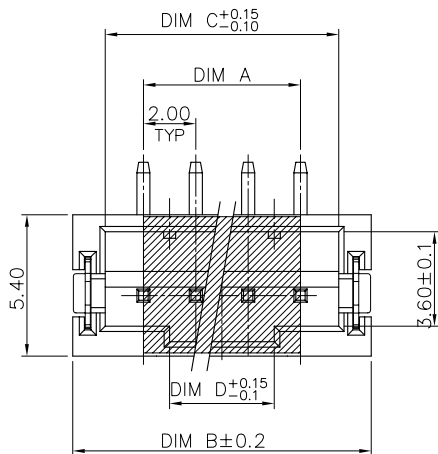
ALL RIGHTS RESERVED.

© COPYRIGHT BY

LOC DW DIST

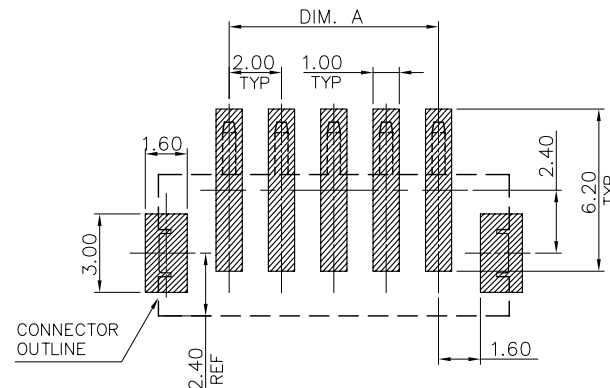
REVISIONS

P	LTR	DESCRIPTION	DATE	DWN	APVD
B		REVISED (ECR-11-011782)	08JUN11	JL	WK



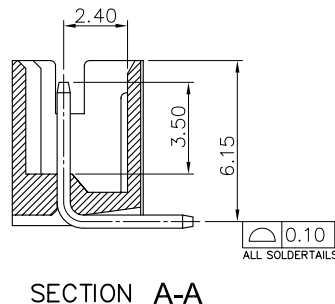
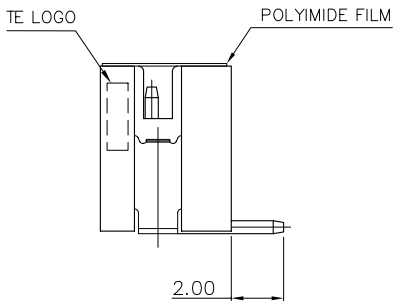
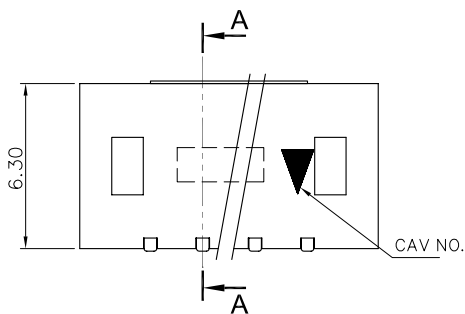
RECOMMENDED PCB LAYOUT

TOLERANCE: ±0.05



RECOMMENDED PCB LAYOUT

TOLERANCE: ±0.05



SECTION A-A

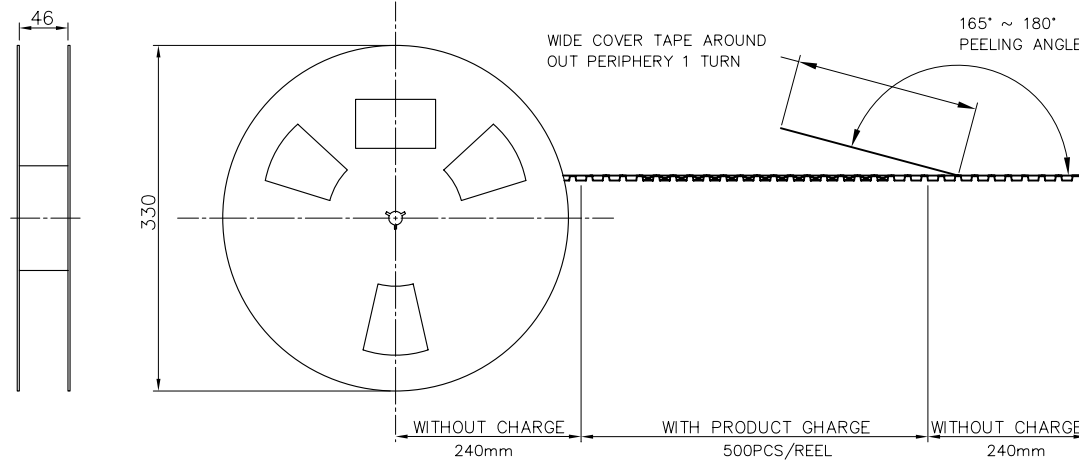
28.00	32.90	35.40	30.00	16P	3-1775470-6
26.00	30.90	33.40	28.00	15P	3-1775470-5
24.00	28.90	31.40	26.00	14P	3-1775470-4
22.00	26.90	29.40	24.00	13P	3-1775470-3
20.00	24.90	27.40	22.00	12P	3-1775470-2
18.00	22.90	25.40	20.00	11P	3-1775470-1
16.00	20.90	23.40	18.00	10P	3-1775470-0
14.00	18.90	21.40	16.00	9P	2-1775470-9
12.00	16.90	19.40	14.00	8P	2-1775470-8
10.00	14.90	17.40	12.00	7P	2-1775470-7
8.00	12.90	15.40	10.00	6P	2-1775470-6
6.00	10.90	13.40	8.00	5P	2-1775470-5
4.00	8.90	11.40	6.00	4P	2-1775470-4
2.00	6.90	9.40	4.00	3P	2-1775470-3
0.60	4.90	7.40	2.00	2P	2-1775470-2
28.00	32.90	35.40	30.00	16P	1-1775470-6
26.00	30.90	33.40	28.00	15P	1-1775470-5
24.00	28.90	31.40	26.00	14P	1-1775470-4
22.00	26.90	29.40	24.00	13P	1-1775470-3
20.00	24.90	27.40	22.00	12P	1-1775470-2
18.00	22.90	25.40	20.00	11P	1-1775470-1
16.00	20.90	23.40	18.00	10P	1-1775470-0
14.00	18.90	21.40	16.00	9P	1775470-9
12.00	16.90	19.40	14.00	8P	1775470-8
10.00	14.90	17.40	12.00	7P	1775470-7
8.00	12.90	15.40	10.00	6P	1775470-6
6.00	10.90	13.40	8.00	5P	1775470-5
4.00	8.90	11.40	6.00	4P	1775470-4
2.00	6.90	9.40	4.00	3P	1775470-3
0.60	4.90	7.40	2.00	2P	1775470-2
THICKNESS	DIM D	DIM C	DIM B	DIM A	POS PART NUMBER

NOTE:

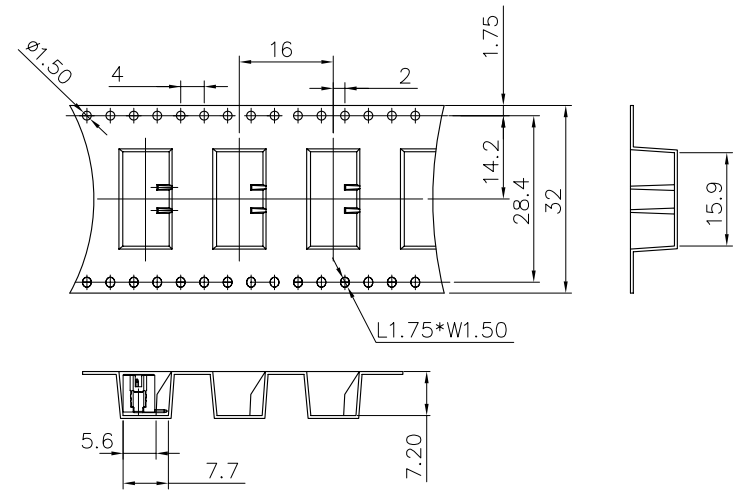
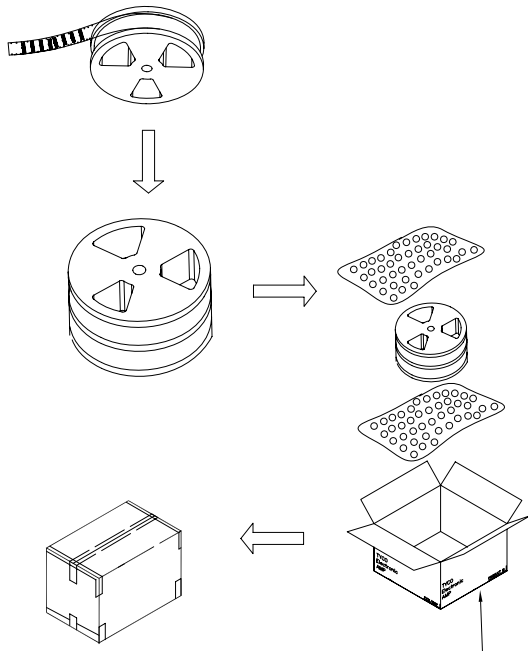
- MATERIAL :  
HOUSING : PA9T, UL 94V-0, COLOR: NATURAL.  
CONTACT : BRASS, THICKNESS=0.50mm.  
SOLDER PEG : BRASS
- FINISH:  
CONTACT :  $\Delta 2\mu\text{m}$  [80 $\mu$ ] MIN. MATTE TIN PLATED OVER  
1.27 $\mu\text{m}$  [50 $\mu$ ] MIN. NICKEL UNDERPLATED ALL OVER.  
 $\Delta$  GOLD FLASH OVER 1.27 $\mu\text{m}$  [50 $\mu$ ] MIN. NICKEL UNDERPLATED ALL OVER.  
PEG : 2 $\mu\text{m}$  [80 $\mu$ ] MATTE TIN, 1.27 $\mu\text{m}$  [50 $\mu$ ] NICEL.
- REFLOW SOLDER CAPABLE TO 260°C PER TE CONNECTIVITY SPEC 109-201, CONDITION B.

THIS DRAWING IS A CONTROLLED DOCUMENT.

DWN S. CHIEN 06JAN2009		<b>TE Connectivity</b>
CHK S. CHIEN 06JAN2009		
APVD W. KODAMA 06JAN2009	NAME	
PRODUCT SPEC 108-57100	HPI CONN., 2.0MM PITCH, V/T, SMT TYPE	
QUALIFICATION TEST REPORT 501-57058	SIZE	CAGE CODE
WEIGHT - GRAMS	A300779	C=1775470
CUSTOMER DRAWING	SCALE	SHEET 1 of 4
		REV B



FOR 2~6PIN



2,500	500	6P	2-1775470-6
2,500	500	5P	2-1775470-5
2,500	500	4P	2-1775470-4
2,500	500	3P	2-1775470-3
2,500	500	2P	2-1775470-2
2,500	500	6P	1775470-6
2,500	500	5P	1775470-5
2,500	500	4P	1775470-4
2,500	500	3P	1775470-3
2,500	500	2P	1775470-2
PCS/CARTON	PCS/REEL	POS	PART NUMBER

THIS DRAWING IS A CONTROLLED DOCUMENT.

DIMENSIONS: MM

TOLERANCES UNLESS OTHERWISE SPECIFIED:  
 0 PLC ± -  
 1 PLC ± -  
 2 PLC ± -  
 3 PLC ± -  
 4 PLC ± -  
 ANGLES ± -

MATERIAL FINISH

DWN  
 CHK  
 APVD  
 PRODUCT SPEC  
 APPLICATION SPEC  
 WEIGHT

NAME  
 HPI CONN., 2.0MM PITCH, V/T, SMT TYPE

SIZE A3 CAGE CODE 00779 DRAWING NO G=1775470 RESTRICTED TO

CUSTOMER DRAWING SCALE SHEET 2 OF 4 REV B

**STE** TE Connectivity

4

3

2

1

THIS DRAWING IS UNPUBLISHED.

RELEASED FOR PUBLICATION

AUG 2006

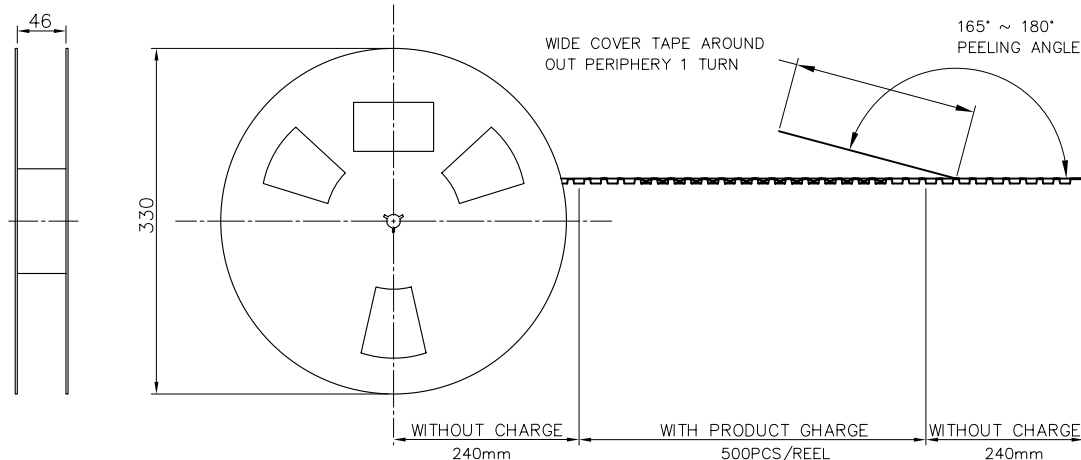
LOC DW

DIST

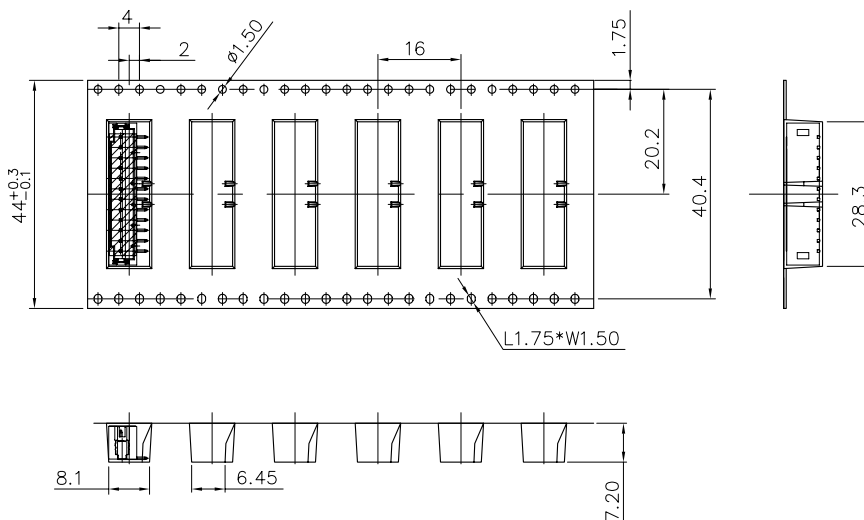
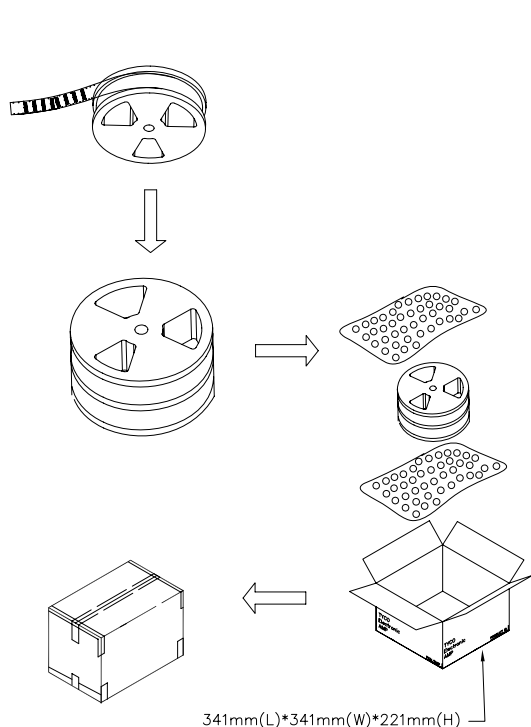
REVISIONS

© COPYRIGHT BY TYCO ELECTRONICS CORPORATION. ALL RIGHTS RESERVED.

P	LTR	DESCRIPTION	DATE	DWN	APVD
		SEE SHEET 1.			



FOR 7~12PIN



PCS/CARTON	PCS/REEL	POS	PART NUMBER
2,000	500	12P	3-1775470-2
2,000	500	11P	3-1775470-1
2,000	500	10P	3-1775470-0
2,000	500	9P	2-1775470-9
2,000	500	8P	2-1775470-8
2,000	500	7P	2-1775470-7
2,000	500	12P	1-1775470-2
2,000	500	11P	1-1775470-1
2,000	500	10P	1-1775470-0
2,000	500	9P	1775470-9
2,000	500	8P	1775470-8
2,000	500	7P	1775470-7

THIS DRAWING IS A CONTROLLED DOCUMENT.

DWN

CHK

APVD

PRODUCT SPEC

APPLICATION SPEC

WEIGHT

CUSTOMER DRAWING

NAME

HPI CONN., 2.0MM PITCH, V/T, SMT TYPE

SIZE A3

CAGE CODE 00779

DRAWING NO C=1775470

RESTRICTED TO

SCALE

SHEET 3 of 4

REV B

DIMENSIONS:	TOLERANCES UNLESS OTHERWISE SPECIFIED:
MM	
	0 PLC ± -
	1 PLC ± -
	2 PLC ± -
	3 PLC ± -
	4 PLC ± -
	ANGLES ± -

THIS DRAWING IS UNPUBLISHED.

RELEASED FOR PUBLICATION

AUG 2006

© COPYRIGHT BY TYCO ELECTRONICS CORPORATION.

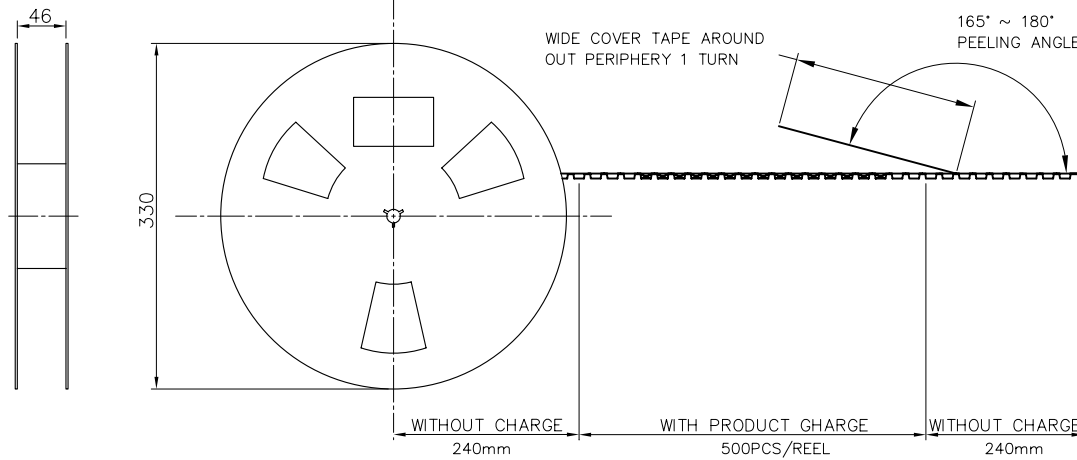
ALL RIGHTS RESERVED.

LOC DW

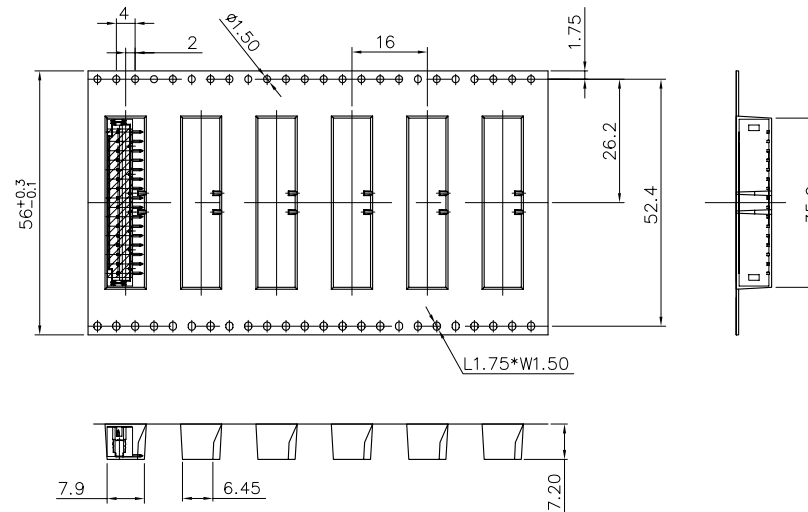
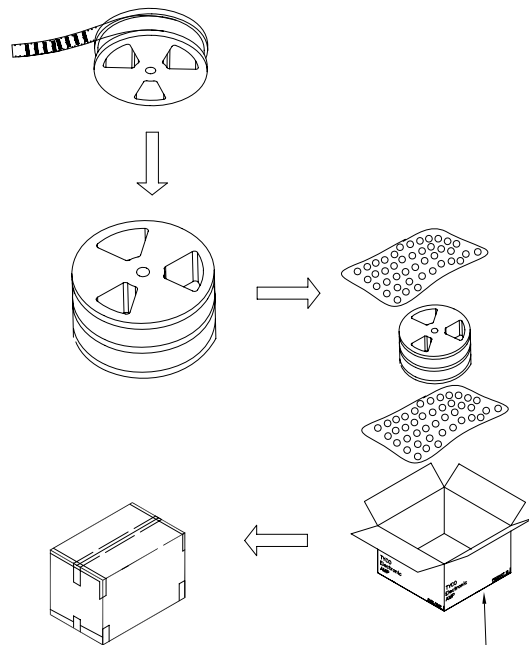
DIST

REVISIONS

P	LTR	DESCRIPTION	DATE	DWN	APVD
		SEE SHEET 1.			



FOR 13~16PIN



PCS/CARTON	PCS/REEL	POS	PART NUMBER
1,500	500	16P	3-1775470-6
1,500	500	15P	3-1775470-5
1,500	500	14P	3-1775470-4
1,500	500	13P	3-1775470-3
1,500	500	16P	1-1775470-6
1,500	500	15P	1-1775470-5
1,500	500	14P	1-1775470-4
1,500	500	13P	1-1775470-3

THIS DRAWING IS A CONTROLLED DOCUMENT.

DIMENSIONS: MM

TOLERANCES UNLESS OTHERWISE SPECIFIED:

0 PLC	± -
1 PLC	± -
2 PLC	± -
3 PLC	± -
4 PLC	± -
ANGLES	± -

MATERIAL: -

FINISH: -

DWN: -

CHK: -

APVD: -

PRODUCT SPEC: -

APPLICATION SPEC: -

WEIGHT: -

CUSTOMER DRAWING

SCALE: -

SHEET: 4 OF 4

REV: B

TE Connectivity

HPI CONN., 2.0MM PITCH, V/T, SMT TYPE

SIZE: A3

CAGE CODE: 00779

DRAWING NO: C=1775470

RESTRICTED TO: -