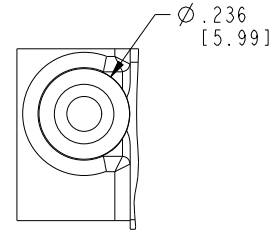
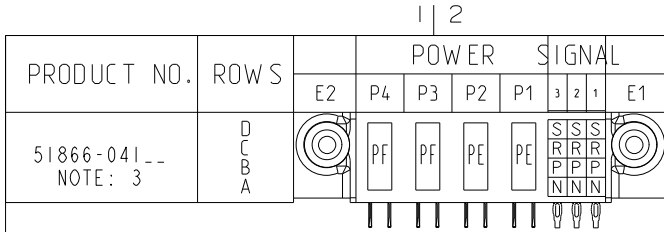
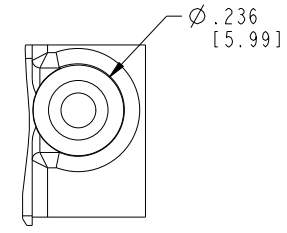


Tous droits strictement réservés. Reproduction ou communication a des tiers interdite sous quelque forme que ce soit sans autorisation écrite du propriétaire. Propriété de c FCI. Droits de reproduction FCI.

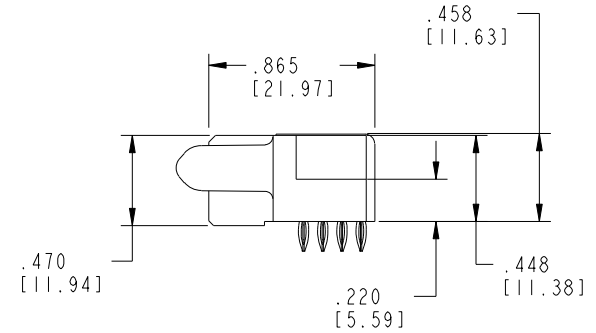
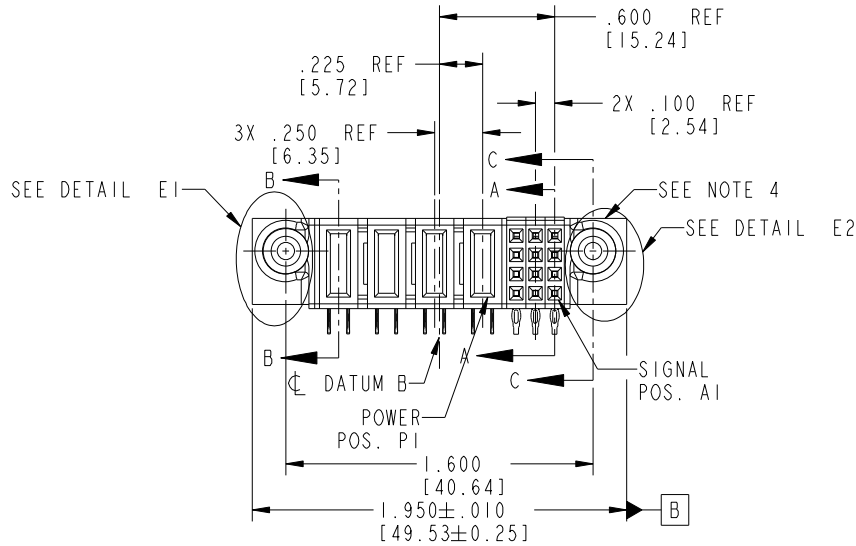
All rights strictly reserved. Reproduction or issue to third parties in any form whatever is not permitted without written authority from the proprietor. Property of FCI. Copyright FCI.



DETAIL E1
SCALE 2:1



DETAIL E2
SCALE 2:1



CODE	DIM "M" MATING LENGTH	CONTACT TYPE
PE	.042 [1.07]	POWER
S	N/A [N/A]	SIGNAL
R	N/A [N/A]	SIGNAL
P	N/A [N/A]	SIGNAL
N	N/A [N/A]	SIGNAL
PF	.092 [2.34]	POWER

mat'l code				tolerances unless otherwise specified		CUSTOMER	
lir	ecn no.	dr	date	linear	.XX ± .01/0.X ± 0.3	COPY	
A	DG06-0074	JMG	02/24/06	angles	.XX ± .005/0.XX ± 0.13	projection	
B	DG06-0367	JULIA	9/07/06		.XXX ± .0020/0.XXX ± 0.051	INCH/MM	
				dr	JM GUO 02/24/06	scale	
				enrg	SLUO 02/24/06	1:1	
				chr	BEER FU 02/24/06		
				appd	JOSEPH HSIA 02/24/06		
sheet index	revision sheet	B 1	B 2	B 3	B 4		

FCI		www.fciconnect.com	
title		12S + 4P	
product family		R/A PRESS-FIT RECEPTACLE	
product family	PwrBlade	code	213
size	dwg no	sheet	1 of 4
A 51866-041			

A

A

B

B

Tous droits strictement réservés. Reproduction ou communication a des tiers interdite sous quelque forme que ce soit sans autorisation écrite du propriétaire. Propriété de c FCI. Droits de reproduction FCI.

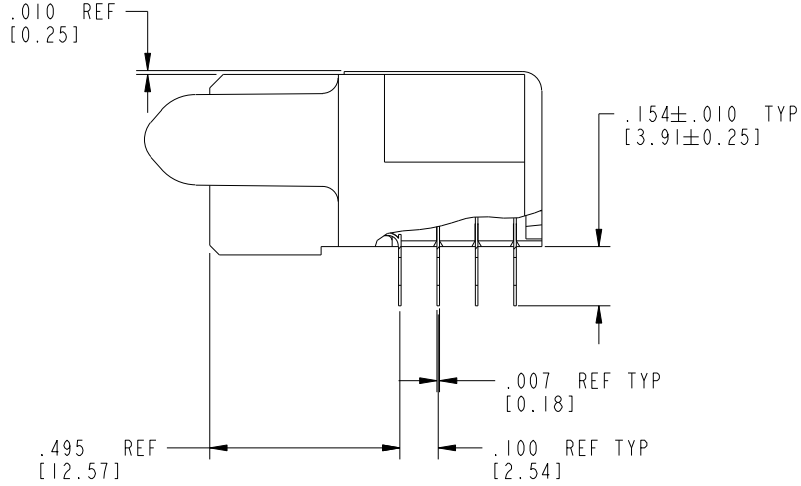


All rights strictly reserved. Reproduction or issue to third parties in any form whatever is not permitted without written authority from the proprietor. Property of FCI. Copyright FCI.

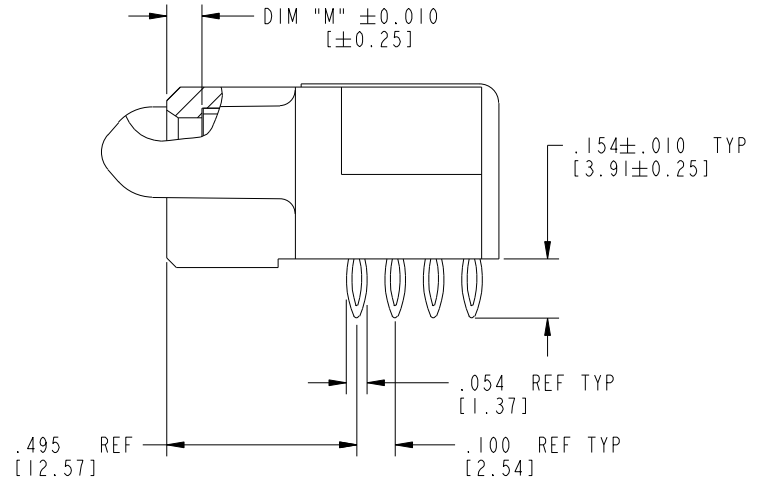
PRODUCT NUMBER

51866-041__

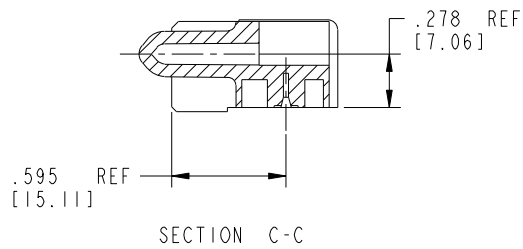
NOTE: 3



BROKEN-OUT SECTION A-A
SCALE 2:1



BROKEN-OUT SECTION B-B
SCALE 2:1



SECTION C-C

mat'l code		SEE NOTE 2		tolerances unless otherwise specified		CUSTOMER		FCI	
lir	ecn no.	dr	date	linear	.XX±.01/0.X±0.3	COPY		www.fciconnect.com	
B				projection	.XXY±.005/0.XX±0.13	INCH/MM		title 12S + 4P	
				angles	.XXX±.0020/0.XXX±0.051	1:1		R/A PRESS-FIT RECEPTACLE	
				dr	JM GUO 02/24/06	scale		product family PwrBlade	
				enrg	SLUO 02/24/06	1:1		code 213	
				chr	BEER FU 02/24/06			size dwg no	
				appd	JOSEPH HSIA 02/24/06			A 51866-041	
sheet index		revision sheet						sheet 2 of 4	

Pro/E

PDM: Rev: B

STAT: Released

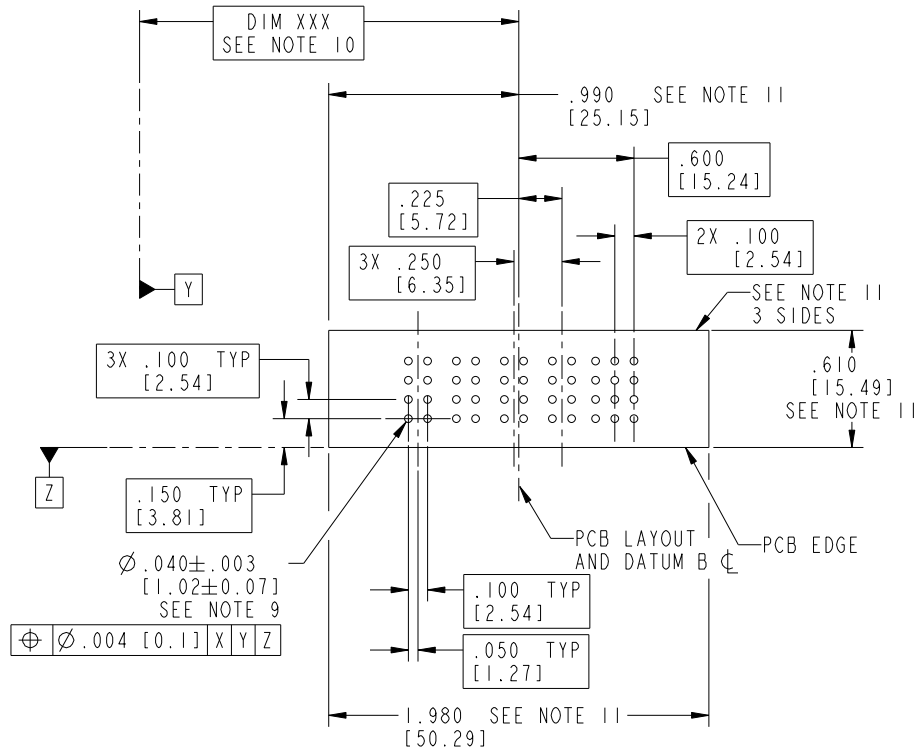
Printed: Dec 20, 2010

Tous droits strictement réservés. Reproduction ou communication a des tiers interdite sous quelque forme que ce soit sans autorisation écrite du propriétaire. Propriété de c FCI. Droits de reproduction FCI.



All rights strictly reserved. Reproduction or issue to third parties in any form whatever is not permitted without written authority from the proprietor. Property of FCI. Copyright FCI.

PRODUCT NUMBER
51866-041__
NOTE: 3



mat'l code		SEE NOTE 2		tolerances unless otherwise specified		CUSTOMER		FCI	
lir	ecn no.	dr	date	linear	.XX±.01/0.X±0.3	COPY		www.fciconnect.com	
B				linear	.XXY±.005/0.XX±0.13	projection		title 12S + 4P	
				angles	.XXX±.0020/0.XXX±0.051			R/A PRESS-FIT RECEPTACLE	
				dr	JM GUO 02/24/06	INCH/MM		product family PwrBlade	
				engr	SLUO 02/24/06	scale		code 213	
				chr	BEER FU 02/24/06	1:1		size dwg no 51866-041	
				appd	JOSEPH HSIA 02/24/06			sheet 3 of 4	
sheet index	revision sheet								

Pro/E

PDM: Rev:B

STATUS: Released

Printed: Dec 20, 2010

PRODUCT NUMBER

51866-041__
NOTE: 3

NOTES:

1. DIMENSIONS AND TOLERANCES ARE IN ACCORDANCE WITH ASME Y14.5M, 1994 UNLESS OTHERWISE SPECIFIED.

CONNECTOR NOTES:

- 2. HOUSING MATERIAL: UL 94 V-0 GLASS FILLED
HIGH-TEMP THERMOPLASTIC
POWER CONTACT MATERIAL: COPPER ALLOY
SIGNAL PIN MATERIAL: COPPER ALLOY
 - 3. 51866-041;51866-041LF;51866-041GLF PLATING SPEC. SEE PRINT:10064183
 - 4. MANUFACTURER'S NAME, P/N, AND DATE CODE TO APPEAR ON THIS SURFACE.
 - 5. PRODUCT SPECIFICATION GS-12-149.
APPLICATION SPECIFICATION BUS-20-067.
 - 6. PACKAGED IN TRAYS.
- PCB NOTES:
- 7. ALL HOLE DIAMETERS ARE FINISHED HOLE SIZE.
 - 8. MOUNTING HOLES, WHERE APPLICABLE, ARE UNPLATED.
 - 9. $\varnothing .0453 \pm .0010$ [1.151 \pm 0.025] DRILLED HOLES PLATED WITH .0003 [0.008] MIN SnPb OR Sn OVER .001 [0.03] TO .003 [0.08] Cu PLATING TO ACHIEVE $\varnothing .040 \pm .003$ [1.02 \pm .07] HOLE.
 - 10. "DIM XXX" TO BE DETERMINED BY THE CUSTOMER.
 - 11. CONNECTOR KEEP-OUT ZONE.
 - 12. USE FCI CAM TOOL 430140-XXX TO APPLY CONNECTOR TO PCB.

mat'l code		SEE NOTE 2		tolerances unless otherwise specified		CUSTOMER		FCI	
ltr	ecn no.	dr	date	linear	.XX \pm .01/0.X \pm 0.3	COPY		www.fciconnect.com	
B				projection	.XXY \pm .005/0.XX \pm 0.13	INCH/MM		title 12S + 4P	
				angles	.XXX \pm .0020/0.XXX \pm 0.051	INCH/MM		R/A PRESS-FIT RECEPTACLE	
				dr	JM GU0 02/24/06	scale		product family PwrBlade	
				enrg	SLU0 02/24/06	1:1		code 213	
				chr	BEER FU 02/24/06			size A 51866-041	
				appd	JOSEPH HSIA 02/24/06			sheet 4 of 4	
sheet index		revision sheet							

Tous droits strictement réservés. Reproduction ou communication a des tiers interdite sous quelque forme que ce soit sans autorisation écrite du propriétaire. Propriété de c FCI. Droits de reproduction FCI.



All rights strictly reserved. Reproduction or issue to third parties in any form whatever is not permitted without written authority from the proprietor. Property of FCI. Copyright FCI.