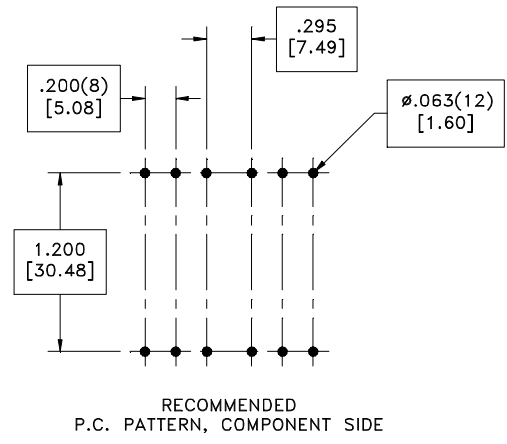
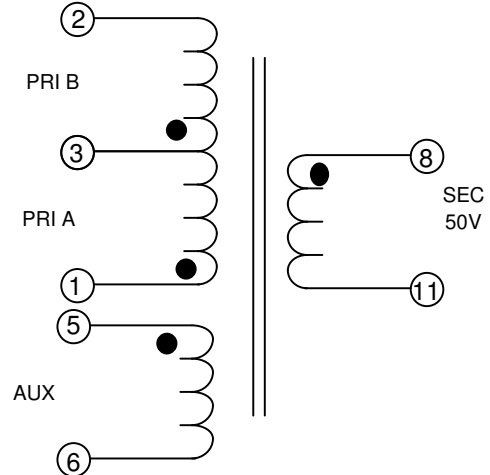
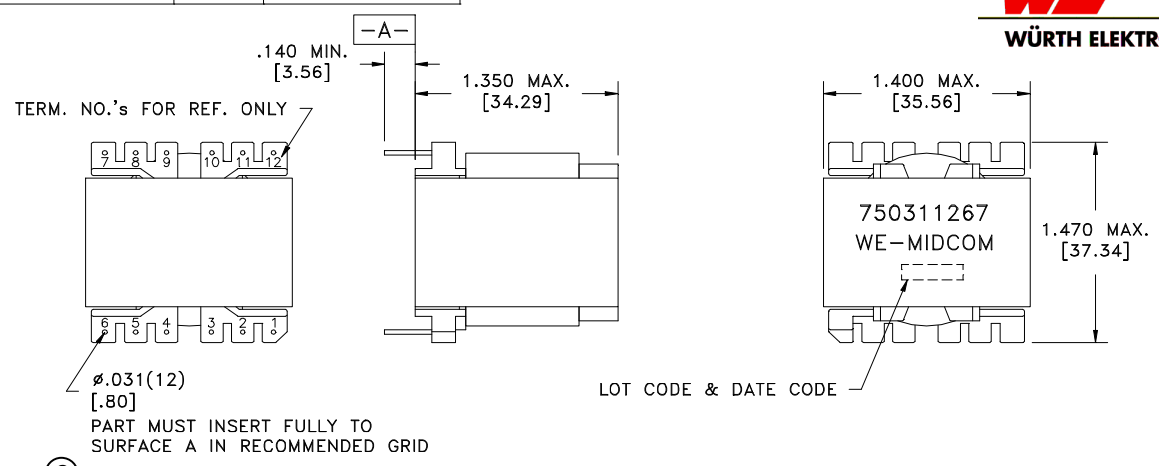


CUSTOMER TERMINAL	RoHS	LEAD(Pb)-FREE
Sn96%, Ag4%	Yes	Yes



**ELECTRICAL SPECIFICATIONS @ 25°C unless otherwise noted:**

D.C. RESISTANCE (@20°C):	1-2 , 0.28 Ohms ±10%.
	5-6 , 0.095 Ohms max.
	8-11 , 0.140 Ohms max.
DIELECTRIC RATING:	3000VAC, 1 minute tested by applying 3750VAC for 1 second between pins 1-8(2+5).
INDUCTANCE:	625µH ±4%, 10kHz, 100mVAC, 0mADC, 1-2, Ls.
LEAKAGE INDUCTANCE:	20.0µH max., 100kHz, 100mVAC, 1-2(5+6,7+8), Ls.
URNS RATIO:	( 1-2):( 8-11 ), ( 2.24):(1.00), ±1%.
	( 1-2):( 5-6 ), ( 4.307):(1.00), ±1%.
	( 1-3):( 3-2 ), ( 1):(1.00), ±1%.

*Preliminary*

WE-Midcom, Inc. Watertown, SD USA Toll Free: 800-643-2661 Fax: 605-886-4486	Unless otherwise specified, tolerances are as follows: Angles: ±1°      Fractions: ±1/64 Decimals: ±.005 (.127mm)		WE-Midcom, Inc.	
	Drawing Title <b>Transformer</b>		Drawing Number <b>750311267</b>	Rev. <b>01</b>
Revisions: See Sheet 1		Scale ----	Sheet 2 of 5	
Engineer:PLP			08/04/2009	

This drawing is dual dimensioned.  
Dimensions in brackets are in millimeters