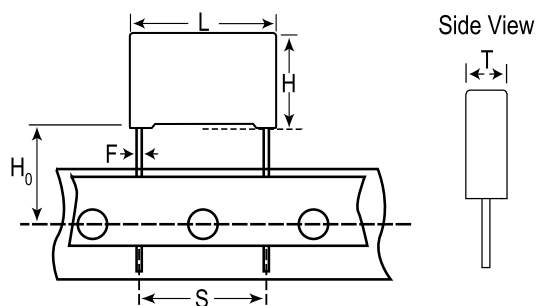


**KEMET Part Number: R413F1470CKM1M**  
(413F1470CKM1M)

R41, Film, Metallized Polypropylene, Automotive Safety, 4700 pF, 20%, 300 VAC (Y2), 1000 VDC, 110C, Lead Spacing = 10mm



General Information	
Supplier:	KEMET
Series:	R41
Dielectric:	Metallized Polypropylene
Style:	Radial
Features:	Automotive Grade, EMI Safety
RoHS:	Yes
Lead:	Wire Leads
Qualifications:	AEC-Q200, ENEC, UL, cUL, CQC
AEC-Q200:	Yes

Dimensions	
L	13mm +0.2mm
H	11mm +0.1mm
T	5mm +0.2mm
S	10mm +/-0.4mm
H0	18.5mm +/-0.5mm
F	0.6mm +/-0.05mm

Specifications	
Capacitance:	4700 pF
Capacitance Tolerance:	20%
Voltage AC:	300 VAC (Y2)
Voltage DC:	1000 VDC
Temperature Range:	-40/+110C
Rated Temperature:	110C
Dissipation Factor:	0.3% 1kHz
Insulation Resistance:	100 GOhms
Max dV/dt:	800 V/us
Safety Class:	Y2

Packaging Specifications	
Packaging:	T&R, Large
Packaging Quantity:	1250