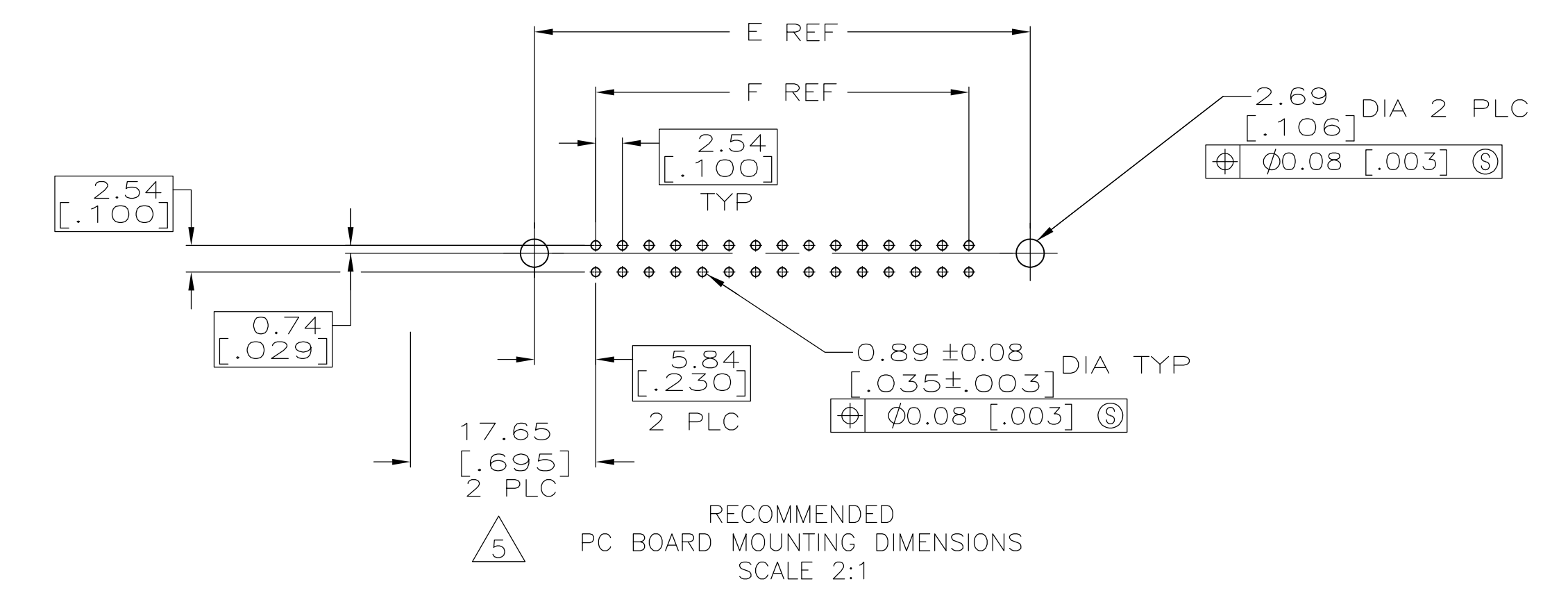
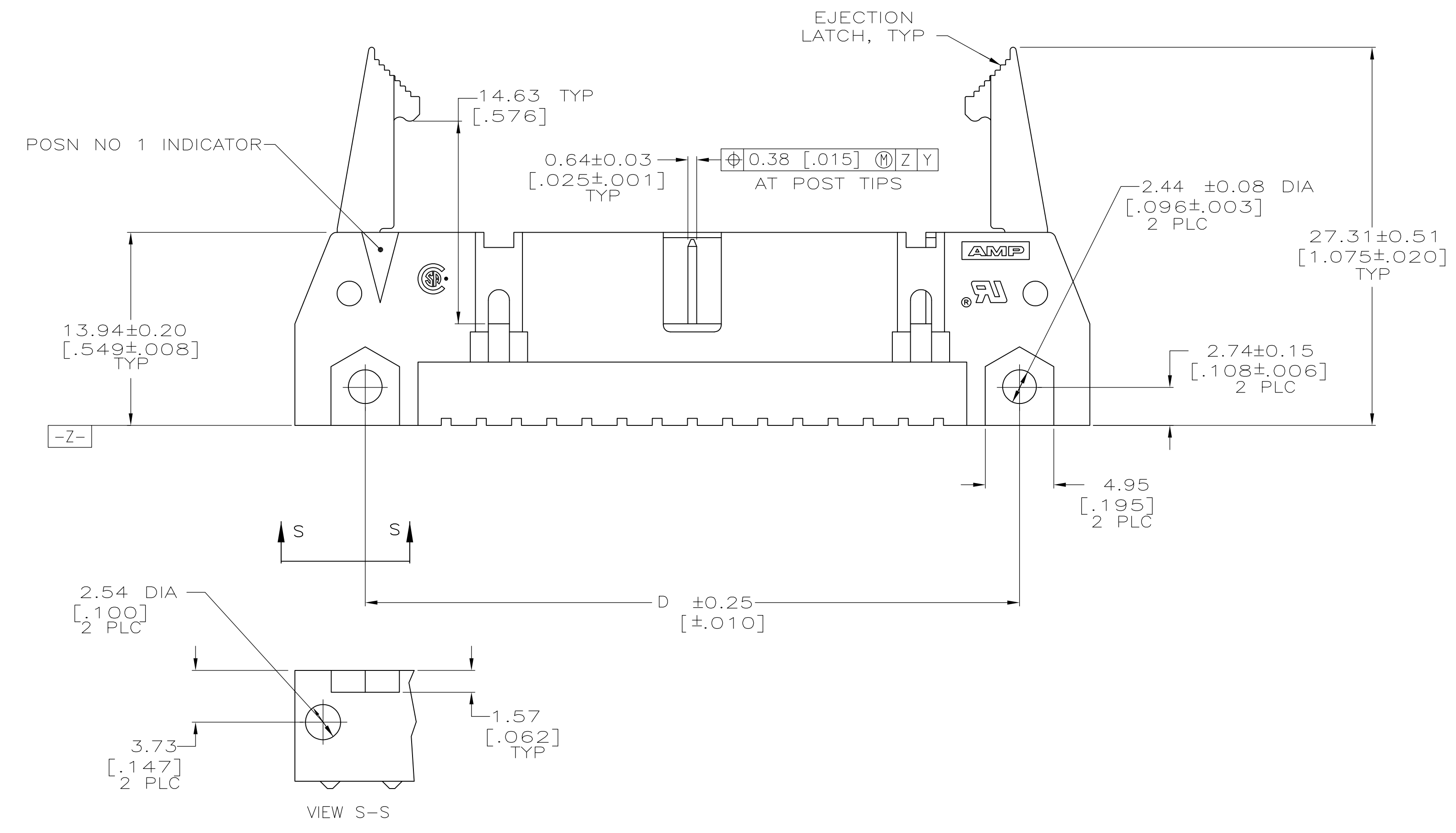
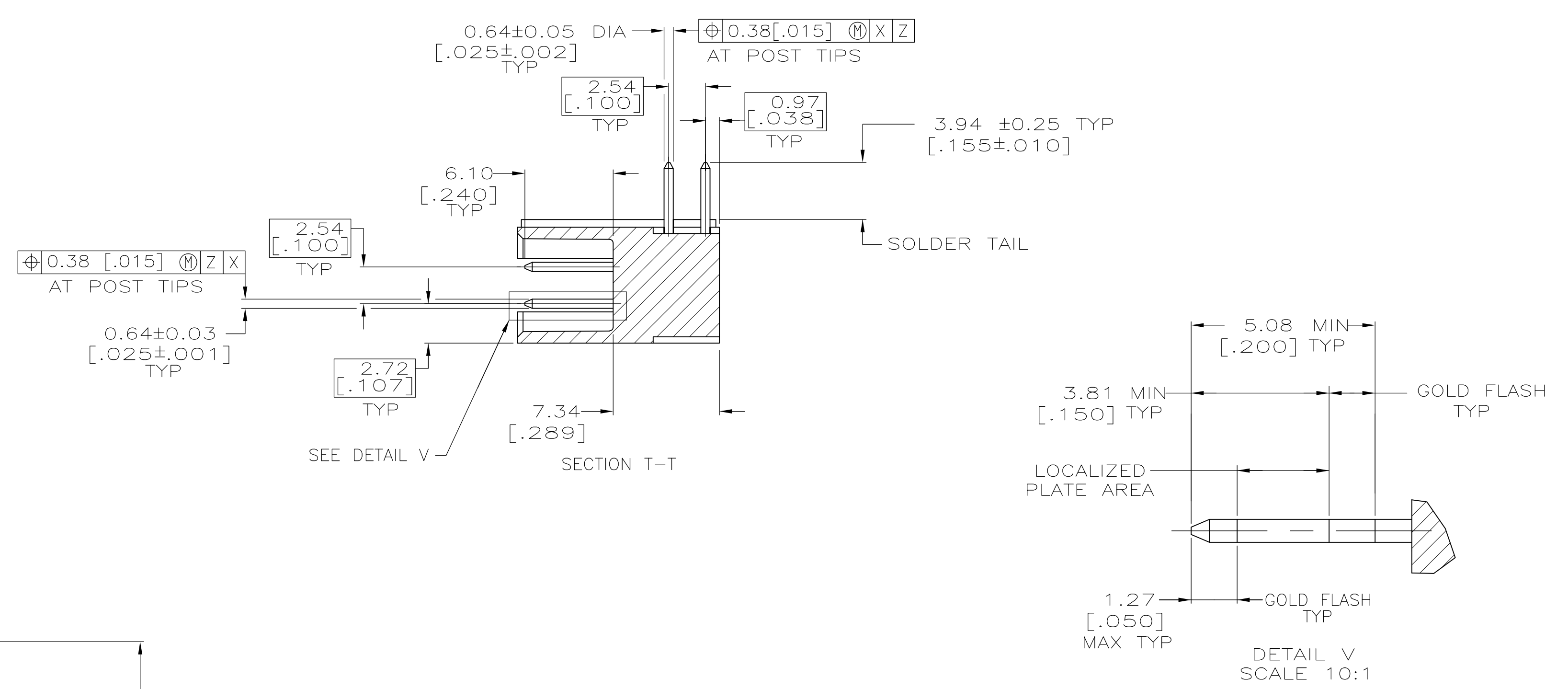
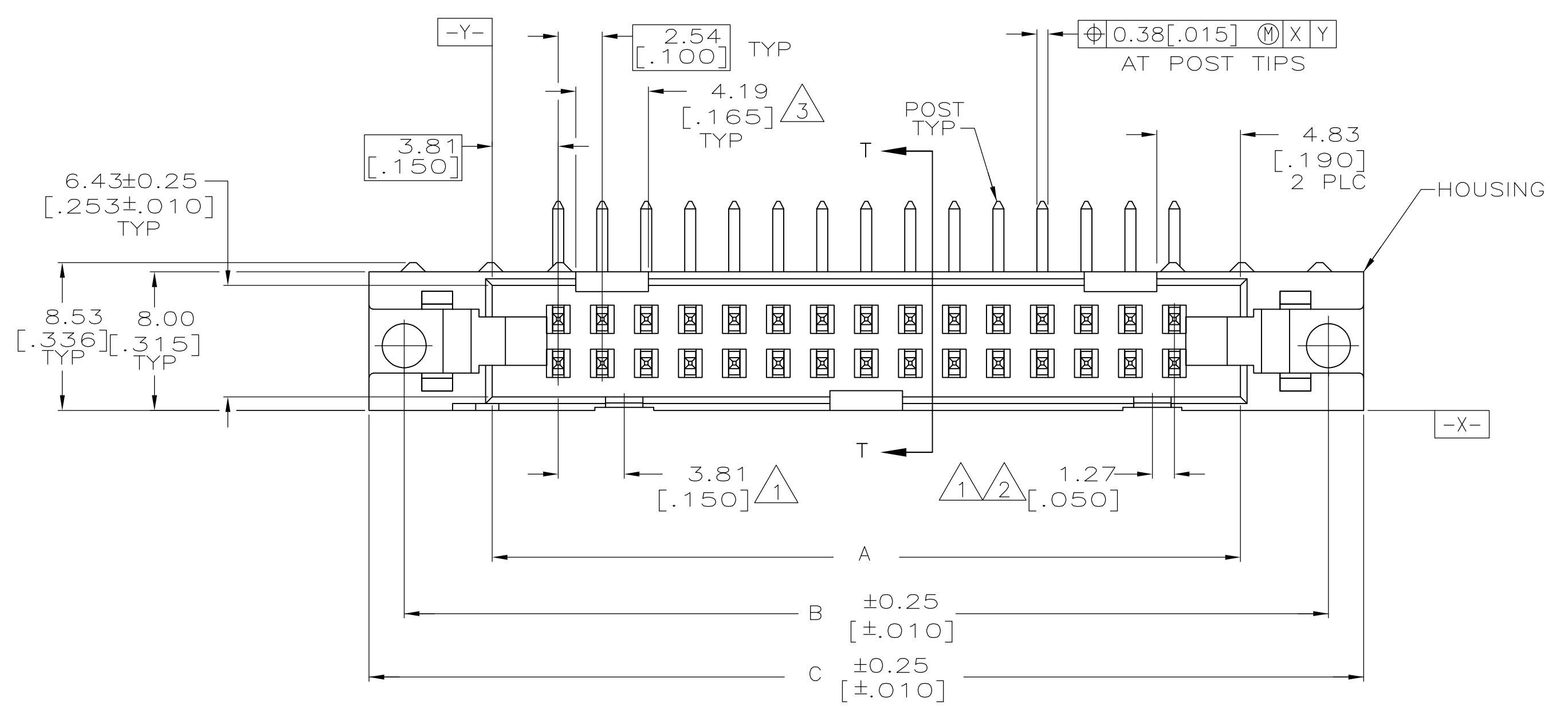


EJECTION LATCHES OMITTED IN THIS VIEW FOR CLARITY



THIS DRAWING IS A CONTROLLED DOCUMENT.		DIN H.MOLL 4-23-90	Tyco Electronics Tyco Electronics Corporation Harrisburg, PA 17105-3608
DIMENSIONS: mm [INCHES]		CHK R.STONE 11-28-90	
TOLERANCES UNLESS OTHERWISE SPECIFIED:		APVD	NAME
0 PLC ± -	1 PLC ± -	PRODUCT SPEC	
2 PLC ± 0.13[.005]	3 PLC ± -	108-40018	
4 PLC ± -	ANGLES ± -	APPLICATION SPEC	
MATERIAL SEE SHEET 2	FINISH SEE SHEET 2	WEIGHT	SIZE CAGE CODE DRAWING NO RESTRICTED TO
		A1 00779	499925
CUSTOMER DRAWING		SCALE 4:1	SHEET 1 OF 2 REV K

- △ COORDINATE DIMENSION APPLIES FROM BASIC LOCATION.
- △ 10 AND 14 POSITION SIZES CONTAIN ONLY ONE SLOT FOR SNAP-IN POLARIZER (MILITARY POLARIZATION) LOCATED AS SHOWN.
- △ 10 POSITION SIZES CONTAIN ONLY ONE SLOT FOR DUAL POLARIZATION, LOCATED AS SHOWN.
- 4. RECOMMENDED PRINTED CIRCUIT BOARD THICKNESS IS 3.18 [.125].
- △ DISTANCE REQUIRED BY EJECTION LATCHES IN THE OPEN POSITION.
- △ POSTS:  
 GOLD FLASH OVER PALLADIUM-NICKEL PLATE, 0.38μm [.000015] MIN TOTAL ON THE LOCALIZED PLATE AREA,  
 2.54μm [.000100] MIN TIN-LEAD PLATE ON THE SOLDER-TAIL,  
 1.27μm [.000050] MIN NICKEL UNDERPLATE ON THE ENTIRE POST.  
 OR  
 0.38μm [.000015] MIN GOLD PLATE ON THE LOCALIZED PLATE AREA,  
 2.54μm [.000100] MIN TIN-LEAD PLATE ON THE SOLDER-TAIL,  
 1.27μm [.000050] MIN NICKEL UNDERPLATE ON THE ENTIRE POST.
- △ MATERIAL:  
 HOUSING: GLASS FILLED NYLON OR POLYESTER, 94V-0 RATED, BLACK.  
 POSTS: BRASS.

OBSOLETE	-	-	53.34	65.02	65.02	75.18	71.12	60.96	44	1-499925-3
			[2.100]	[2.560]	[2.560]	[2.960]	[2.800]	[2.400]		
		1-102322-2	78.74	90.42	90.42	100.58	96.52	86.36	64	1-499925-2
			[3.100]	[3.560]	[3.560]	[3.960]	[3.800]	[3.400]		
OBSOLETE	-	-	73.66	85.34	85.34	95.50	91.44	81.28	60	1-499925-1
			[2.900]	[3.360]	[3.360]	[3.760]	[3.600]	[3.200]		
			60.96	72.64	72.64	82.80	78.74	68.58	50	1-499925-0
			[2.400]	[2.860]	[2.860]	[3.260]	[3.100]	[2.700]		
		102322-9	48.26	59.94	59.94	70.10	66.04	55.88	40	499925-9
			[1.900]	[2.360]	[2.360]	[2.760]	[2.600]	[2.200]		
		102322-8	40.64	52.32	52.32	62.48	58.42	48.26	34	499925-8
			[1.600]	[2.060]	[2.060]	[2.460]	[2.300]	[1.900]		
	102162-7	102320-1	35.56	47.24	47.24	57.40	53.34	43.18	30	499925-7
			[1.400]	[1.860]	[1.860]	[2.260]	[2.100]	[1.700]		
		102322-6	30.48	42.16	42.16	52.32	48.26	38.10	26	499925-6
			[1.200]	[1.660]	[1.660]	[2.060]	[1.900]	[1.500]		
	102162-5	102320-1	27.94	39.62	39.62	49.78	45.72	35.56	24	499925-5
			[1.100]	[1.560]	[1.560]	[1.960]	[1.800]	[1.400]		
		102322-4	22.86	34.54	34.54	44.70	40.64	30.48	20	499925-4
			[.900]	[1.360]	[1.360]	[1.760]	[1.600]	[1.200]		
	102162-3	102320-1	17.78	29.46	29.46	39.62	35.56	25.40	16	499925-3
			[.700]	[1.160]	[1.160]	[1.560]	[1.400]	[1.000]		
		102322-2	15.24	26.92	26.92	37.08	33.02	22.86	14	499925-2
			[.600]	[1.060]	[1.060]	[1.460]	[1.300]	[.900]		
		102322-1	10.16	21.84	21.84	32.00	27.94	17.78	10	499925-1
			[.400]	[.860]	[.860]	[1.260]	[1.100]	[.700]		
HEADER ASSY	LATCH		F	E	D	C	B	A	NO OF POSN	PART NUMBER
QTY:1	QTY:2									
SUPERSEDED BY										

THIS DRAWING IS A CONTROLLED DOCUMENT.		DIN 4-23-90	Tyco Electronics Corporation Harrisburg, PA 17105-3608	
DIMENSIONS: mm [INCHES]		11-28-90	Tyco Electronics	
TOLERANCES UNLESS OTHERWISE SPECIFIED:		APVD	NAME	
0 PLC ± -	1 PLC ± -	2 PLC ± 0.13[.005]	PRODUCT SPEC	
3 PLC ± -	4 PLC ± -	ANGLES ± -	APPLICATION SPEC	
MATERIAL	FINISH	WEIGHT	SIZE	CAGE CODE
			A1	00779
			499925	RESTRICTED TO
			SCALE 4:1	SHEET 2 OF 2
				REV K