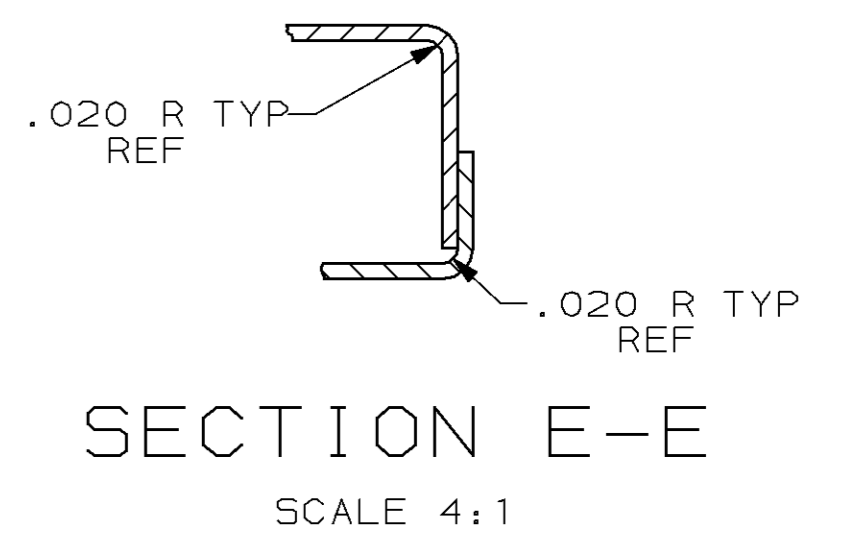
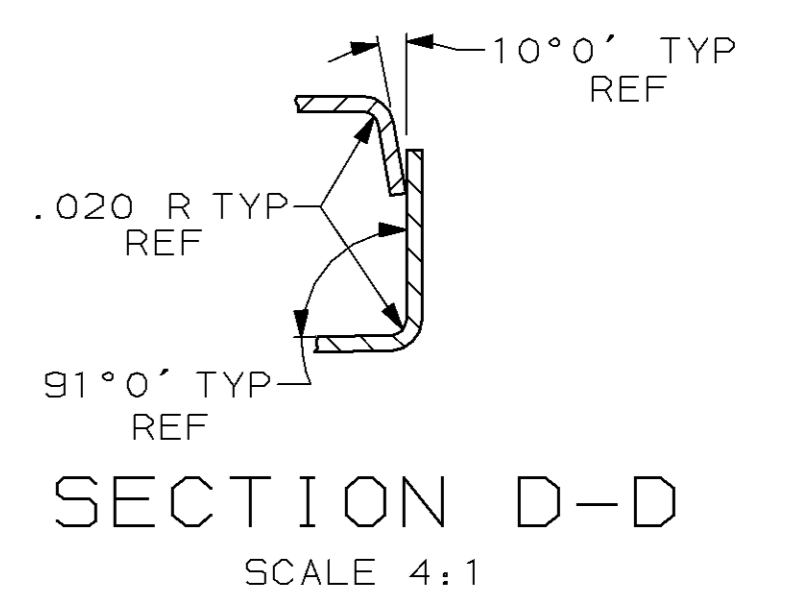
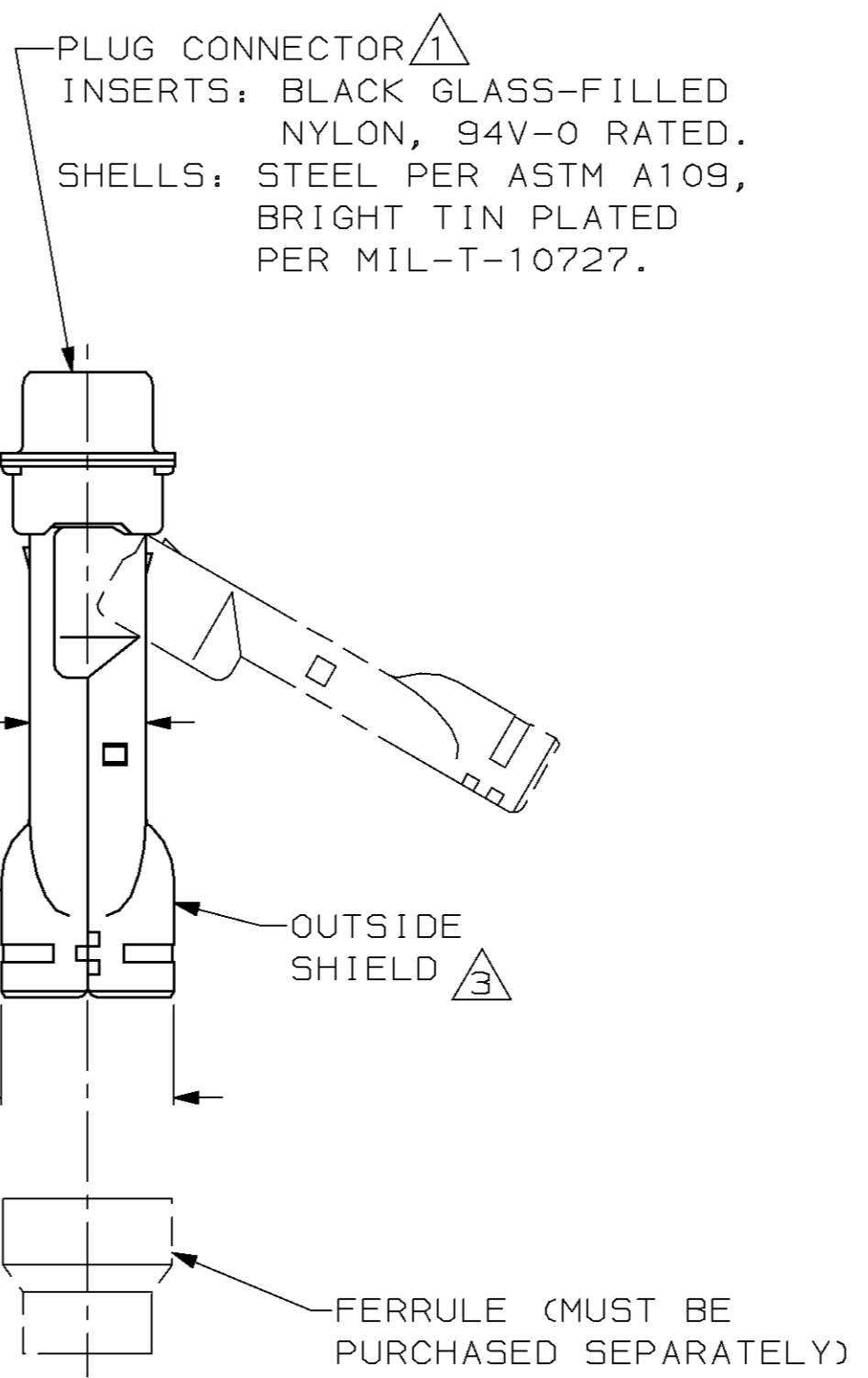
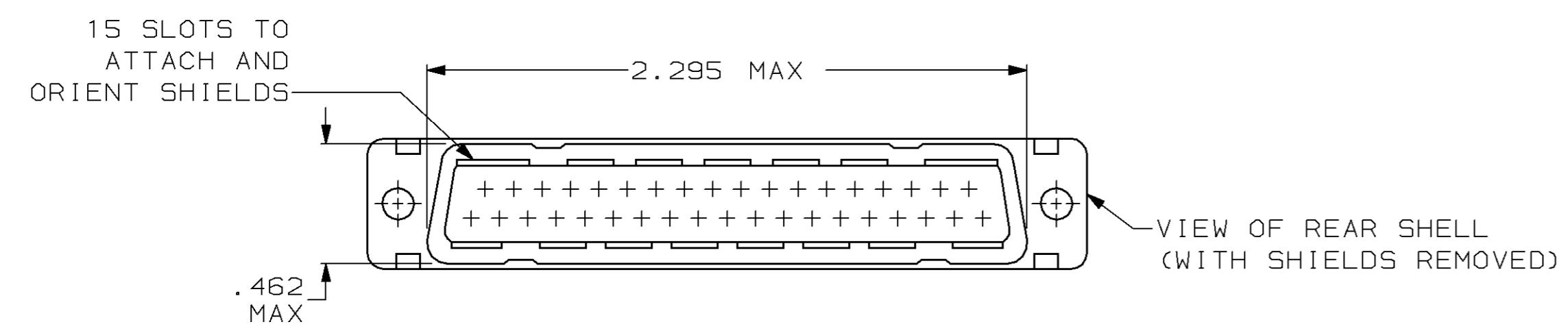
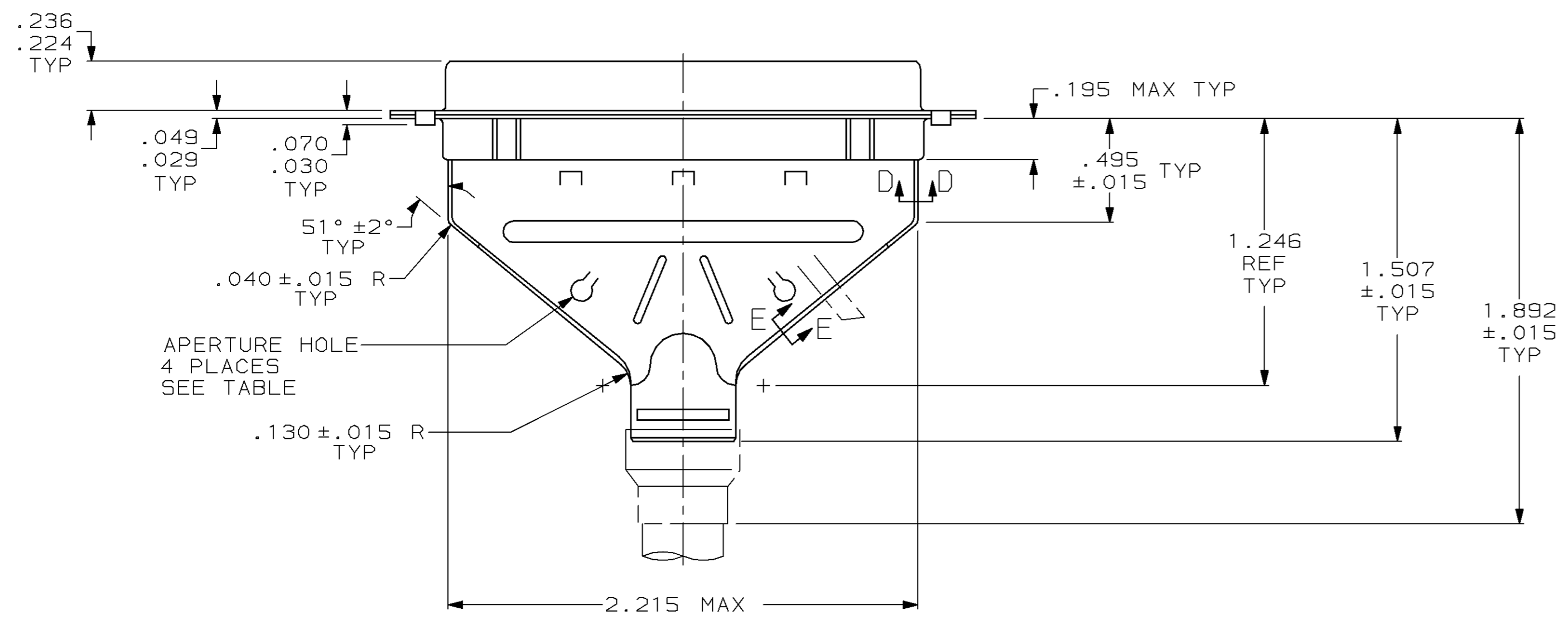
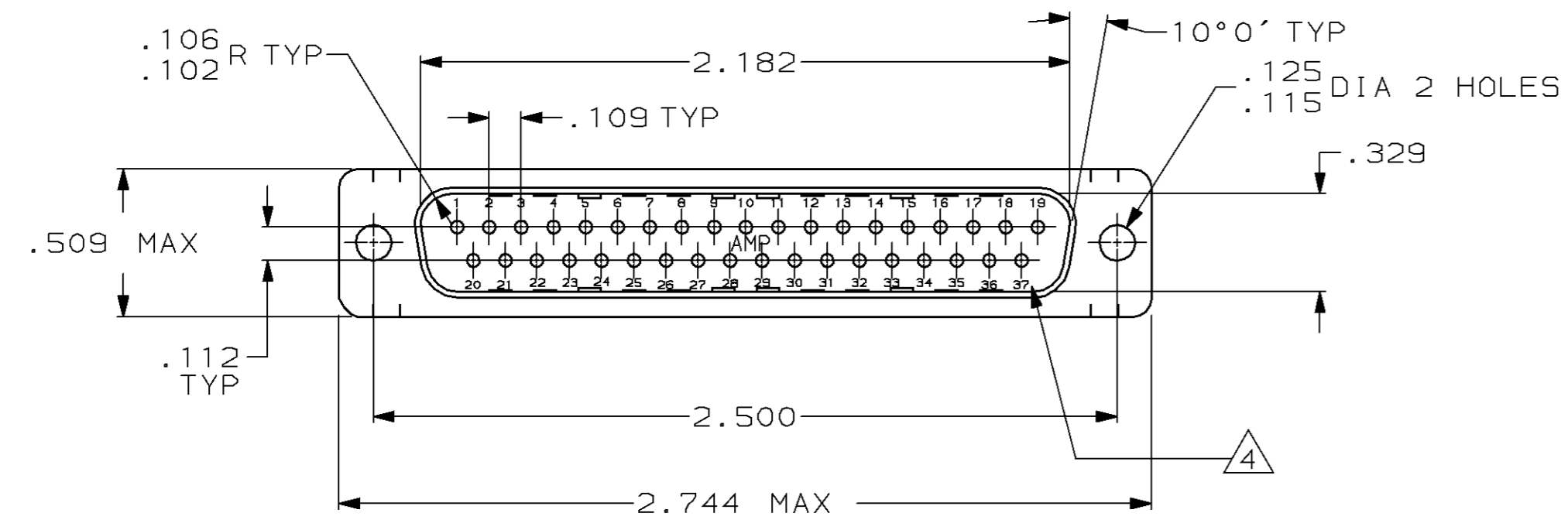


LOC		DIST		P		F		ZONE		LTR		REVISIONS			
BD	48											DESCRIPTION	DATE	APPD	
												A	REDRAWN	5-31-90	-
												B	REV PER ECN BD4457	12/07/90	BT
												C	ADDED-2 NPR3889 WAS 91-5788-6-1	01/02/92	TMS
												D	OBS -2 PER ECN BD5856	01/17/92	TMS
												E	REACTIVATED -2 PER NPR 3975	02/14/92	TMS
												F	OBS -2 PER EC 0020-724-95	11 MAR 96	JCS



- 1. PLUG ACCEPTS SIZE 20 PIN CONTACTS (CONTACTS MUST BE ORDERED SEPARATELY).
- 2. ALL PARTS SHIPPED UNASSEMBLED, EACH PART INDIVIDUALLY BULK PACKED.
- 3. SHIELDS: MATERIAL-.020 THICK STEEL, TIN PLATED PER MIL-T-10727.
- 4. RAISED CAVITY IDENTIFICATION AND AMP TRADEMARK.

OBSOLETE	WITHOUT	747570-2
	WITH	747570-1
APERTURE HOLE		PART NUMBER

DO NOT SCALE PRINT. UNLESS SPECIFIED DIMENSIONS IN MILLIMETERS		DR 5-31-90 J. GALLUCCI BG		AMP INCORPORATED Harrisburg, Pa. 17105	
TOLERANCES ON:		CHK 8-31-90 J. McCLINTON			
2 PLC DEC ± .005		APPD 9-4-90 BOB TAYLOR		NAME	
3 ANGLES ± 0°30'		APPD 9-4-90 J. ASSINI		KIT, PLUG, SHIELDING HARDWARE, SIZE 4, 37 POSN, HDP-20, AMPLIMITE™	
MATERIAL		PRODUCT SPEC		SIZE	
SEE CALL OUT		-		D 00779	
FINISH		APPLICATION SPEC		DRAWING NO	
SEE CALL OUT		-		747570	
WEIGHT		-		SCALE	
-		-		2:1	
				SHEET	
				1 OF 1	