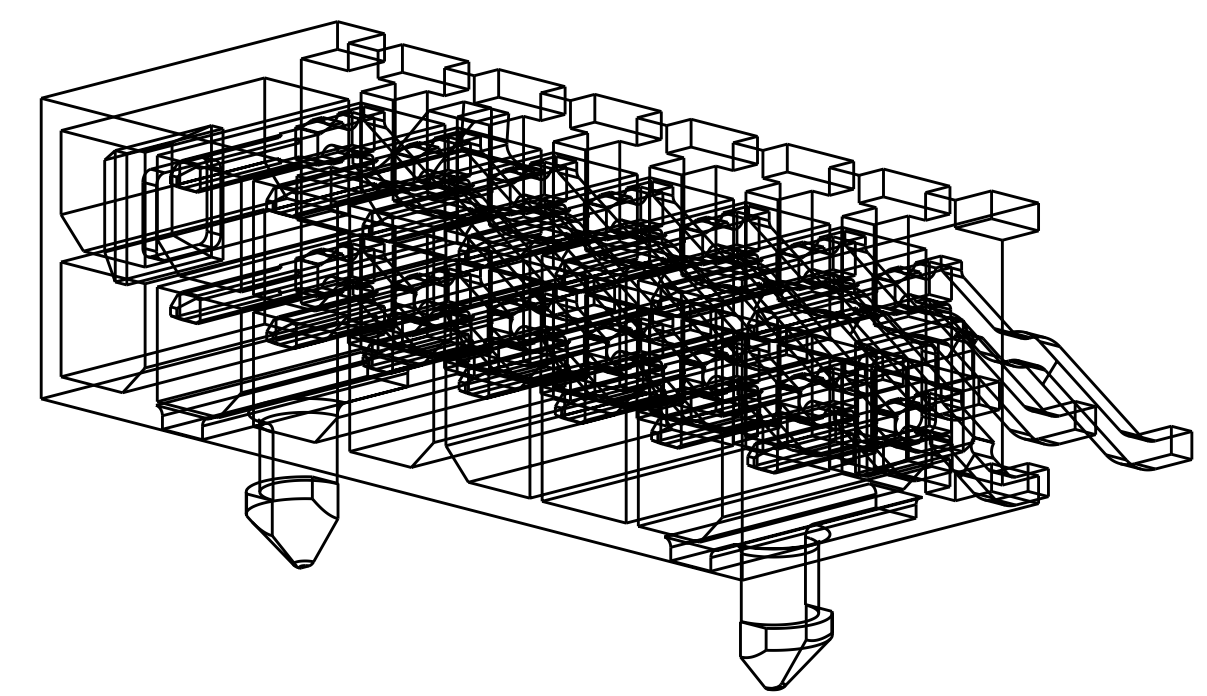
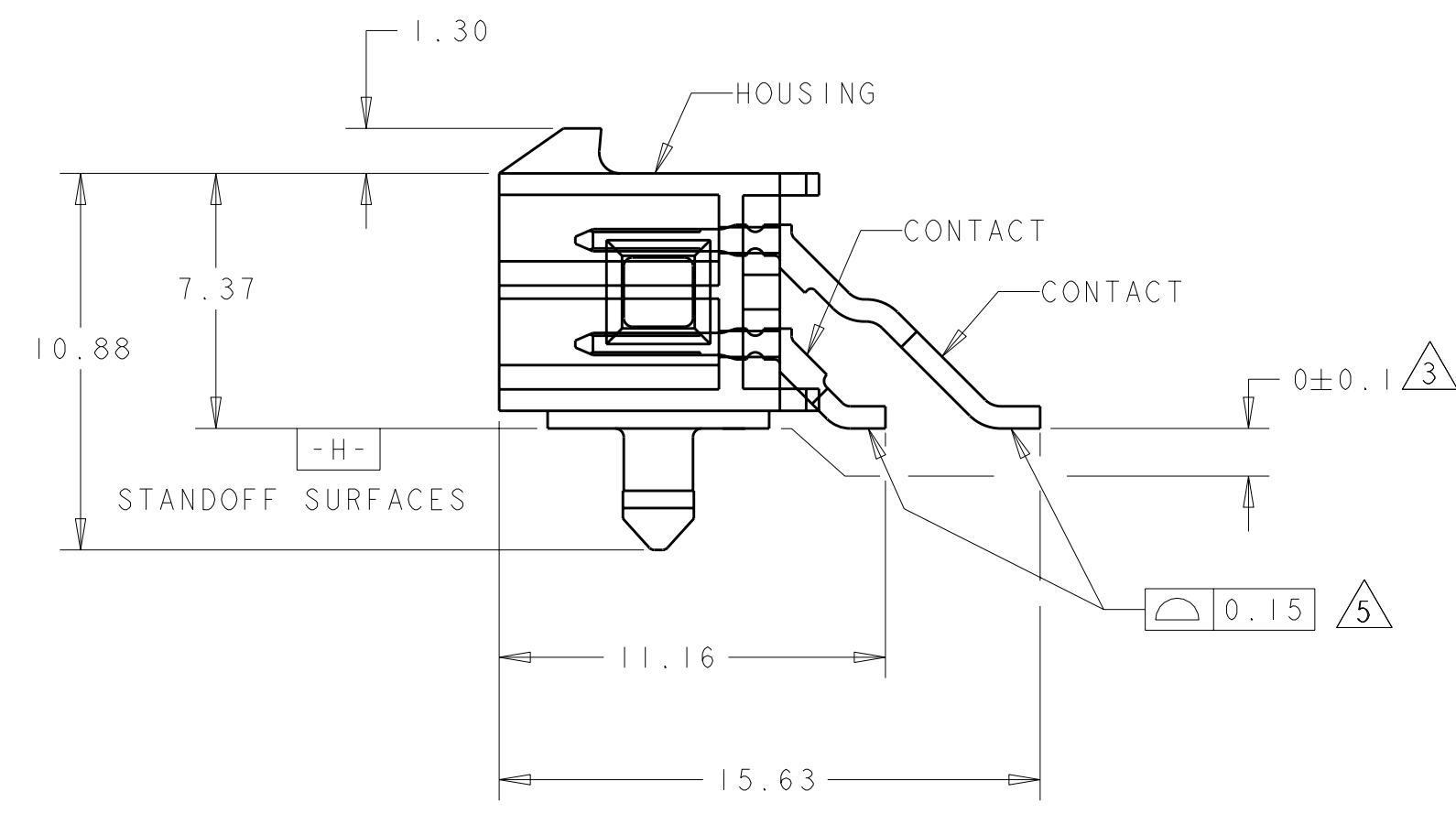
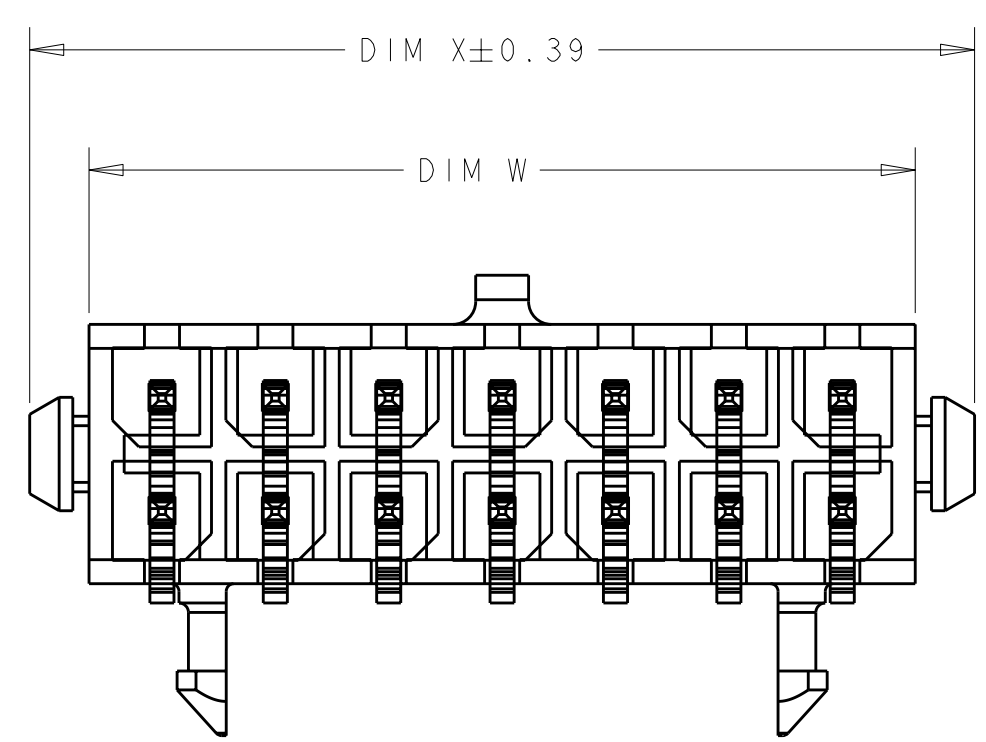
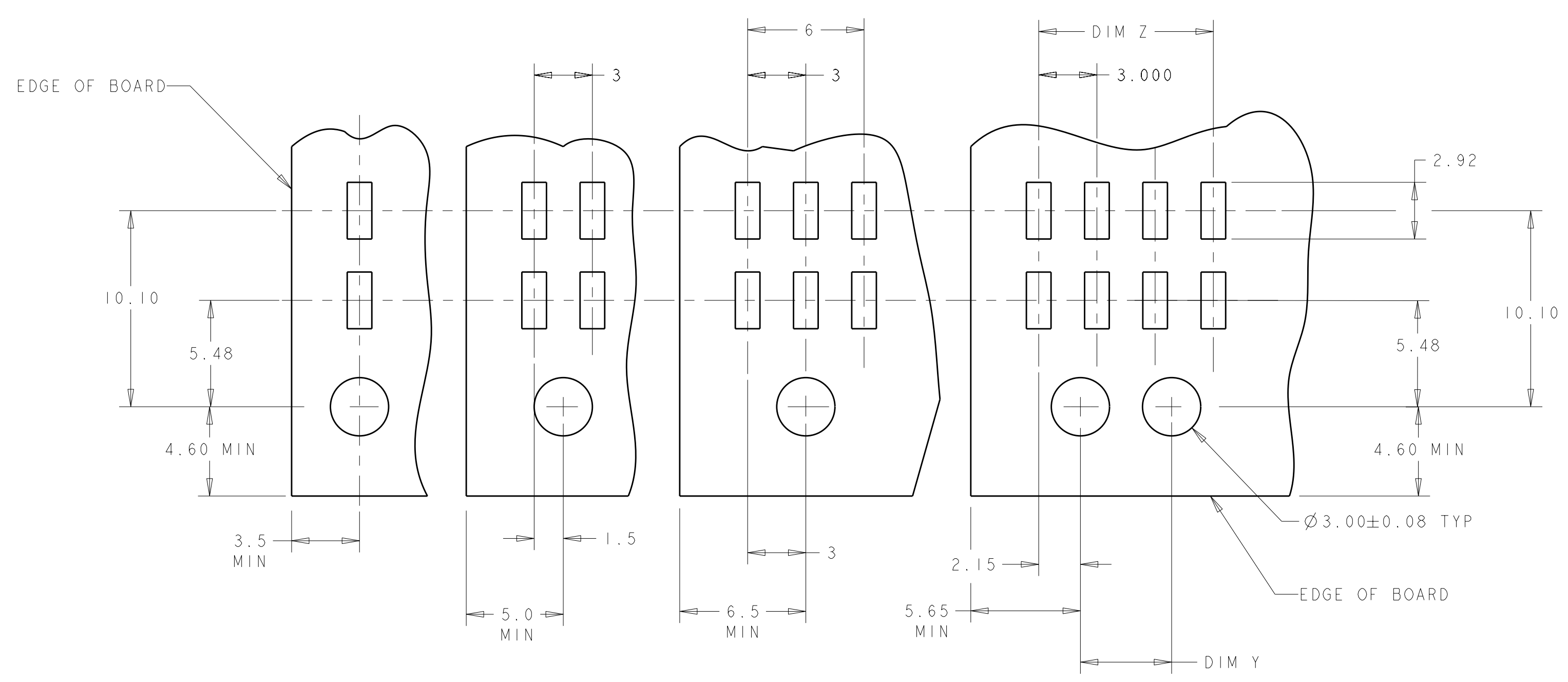
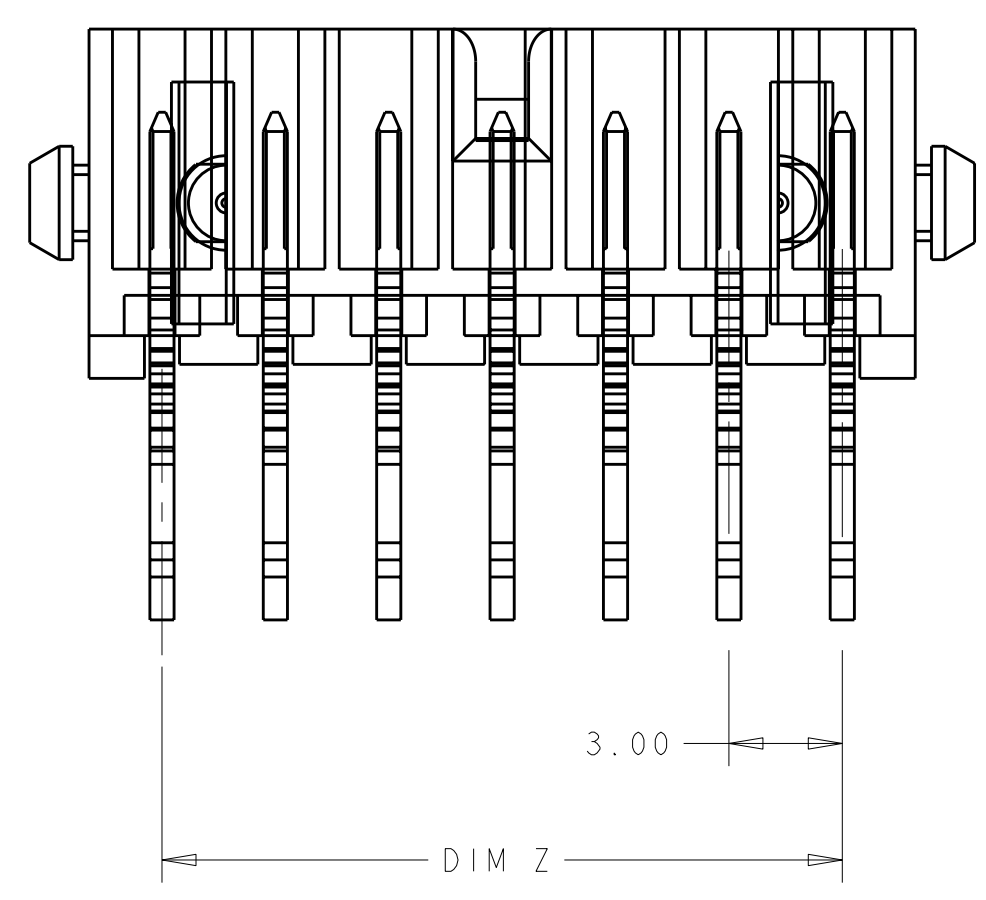


LOC		DIST		REVISIONS			
CM	00	REV	DATE	DESCRIPTION	DATE	DWN	APVD
		F1		REVISED PER ECO-11-005027	17MAR2011	RK	HMR



SCALE 6:1

- △ MATERIAL:  
CONTACTS - BRASS.  
HOUSING - UL 94V-0 RATED HIGH TEMP NYLON, COLOR; BLACK.
- △ FINISH:  
CONTACTS - 2.54µm MINIMUM TIN-LEAD OVER 1.27µm MINIMUM NICKEL.
- △ DIMENSION APPLIES TO SOLDERTAIL SURFACES AND STANDOFF SURFACES.
- △ RECOMMENDED PC BOARD THICKNESS OF 1.57.
- △ ALL SOLDERTAILS.
- △ FINISH:  
CONTACTS - 2.54µm MINIMUM MATTE TIN OVER 1.27µm MINIMUM NICKEL.



RECOMMENDED PCB LAYOUT (COMPONENT SIDE) △

FINISH	DIM Y	DIM W	DIM Z	DIM X	NO. OF POSN.	PART NUMBER
△ 6	36.86	28.70	33.00	40.00	24	5-794621-4
	33.86	25.70	30.00	37.00	22	5-794621-2
	30.86	22.70	27.00	34.00	20	5-794621-0
	27.86	19.70	24.00	31.00	18	4-794621-8
	24.86	16.70	21.00	28.00	16	4-794621-6
	21.86	13.70	18.00	25.00	14	4-794621-4
	18.86	10.70	15.00	22.00	12	4-794621-2
	15.86	7.70	12.00	19.00	10	4-794621-0
	12.86	4.70	9.00	16.00	8	3-794621-8
	9.86	-	6.00	13.00	6	3-794621-6
	6.86	-	3.00	10.00	4	3-794621-4
	3.86	-	-	7.00	2	3-794621-2
△ 2	36.86	28.70	33.00	40.00	24	2-794621-4
	33.86	25.70	30.00	37.00	22	2-794621-2
	30.86	22.70	27.00	34.00	20	2-794621-0
	27.86	19.70	24.00	31.00	18	1-794621-8
	24.86	16.70	21.00	28.00	16	1-794621-6
	21.86	13.70	18.00	25.00	14	1-794621-4
	18.86	10.70	15.00	22.00	12	1-794621-2
	15.86	7.70	12.00	19.00	10	1-794621-0
	12.86	4.70	9.00	16.00	8	794621-8
	9.86	-	6.00	13.00	6	794621-6
	6.86	-	3.00	10.00	4	794621-4
	3.86	-	-	7.00	2	794621-2

THIS DRAWING IS A CONTROLLED DOCUMENT.

DIMENSIONS: mm

TOLERANCES UNLESS OTHERWISE SPECIFIED:  
 9 PLC ±  
 5 PLC ±0.13  
 4 PLC ±

MATERIAL: SEE TABLE

FINISH: SEE TABLE

APPROVED: S. HOOPER, 23-MAR-2005  
 C. JONES, 23-MAR-2005  
 C. JONES, 23-MAR-2005

NAME: ASSEMBLY, SURFACE MOUNT, R/A, TIN HEADER, PLASTIC BOARDLOCK, MICRO MATE-N-LOK(TM)

SIZE: A100779C=794621

SCALE: 5:1

RESTRICTED TO: -

CUSTOMER DRAWING

