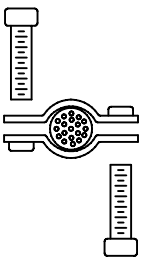
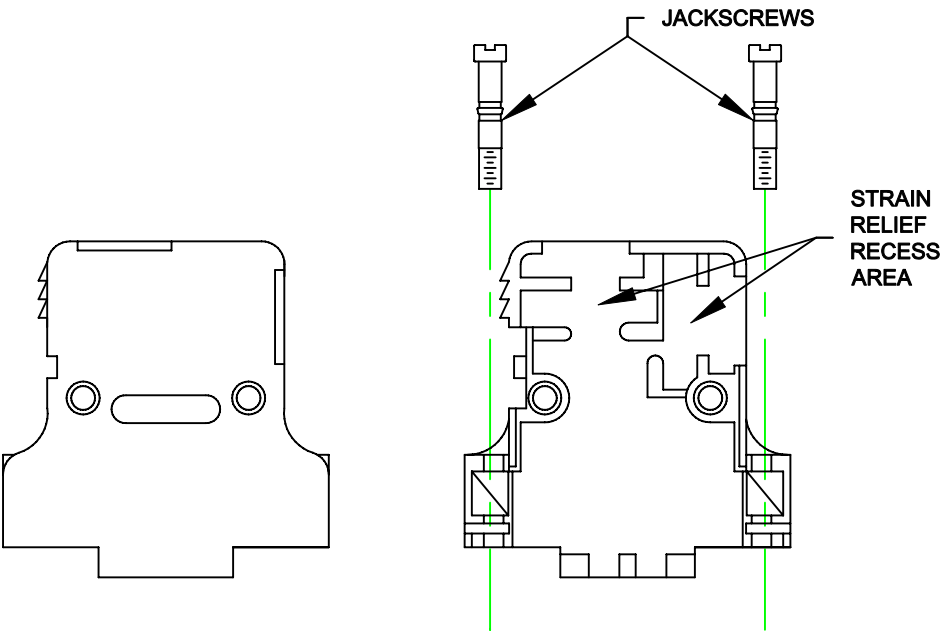
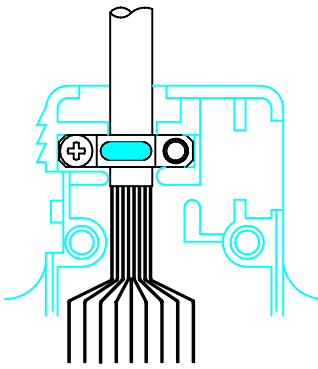


ASSEMBLY INSTRUCTIONS:

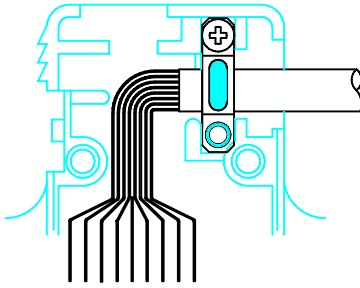
1. SELECT THE CABLE ENTRY PORT NEEDED, PLACE THE SLOT BLOCKING TAB IN THE OTHER SLOT MAKING SURE IT IS FULLY SEATED. INSERT THE CABLE THROUGH THE CABLE SLOT ENTRY TAB
2. PREPARE CABLE ENDS, CONNECT TO CONNECTOR
3. CLAMP STRAIN RELIEF ONTO CABLE MAKING SURE CABLE JACKET IS BELOW STRAIN RELIEF
4. INSERT THE STRAIN RELIEF INTO THE STRAIN RELIEF RECESS AREA IN ONE HALF OF THE HOOD MAKING SURE THE CABLE SLOT ENTRY TAB IS FULLY SEATED
5. PLACE THE OTHER HALF OF THE HOOD ON TOP OF THE FIRST HALF, MAKING SURE NO WIRES ARE PINCHED AND SNAP THE TWO HALVES TOGETHER MAKING SURE THEY ARE FULLY SEATED



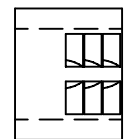
STRAIN RELIEF AND GROUNDING SPRING MOUNTING DETAIL



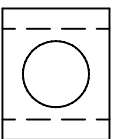
ITEM No. 1, 3 & 4
TOP ENTRY



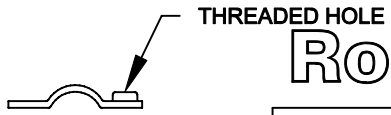
ITEM No. 1, 3 & 4
SIDE ENTRY



CABLE SLOT BLOCK TAB



CABLE SLOT ENTRY TAB



STRAIN RELIEF CLAMP

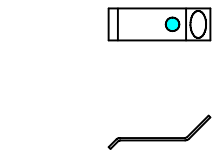
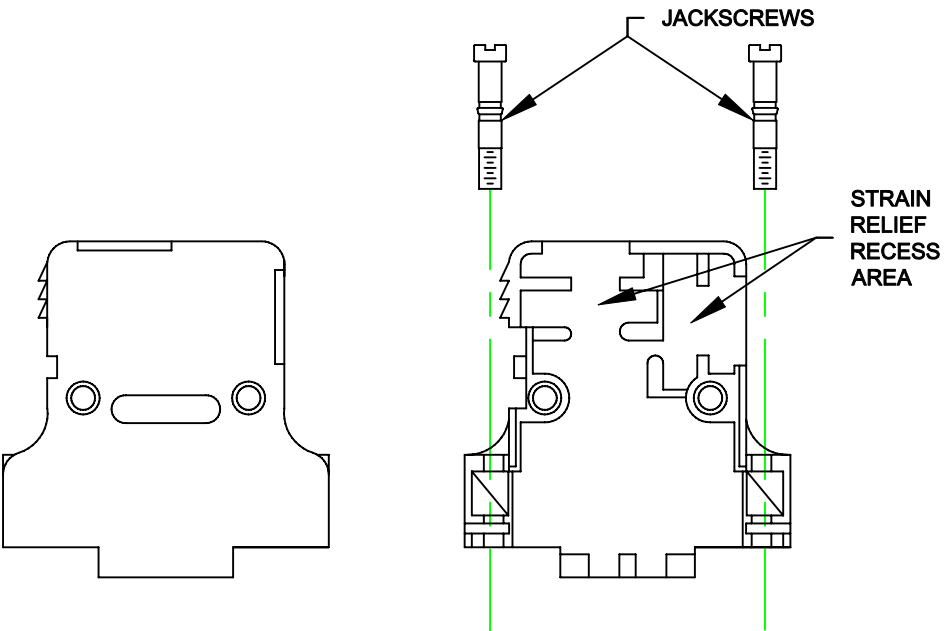
RoHS COMPLIANT

PLASTIC

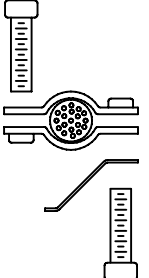
	THESE DRAWINGS AND SPECIFICATIONS ARE THE PROPERTY OF NorComp AND SHALL NOT BE REPRODUCED, COPIED OR USED AS THE BASIS FOR THE MANUFACTURE OF SALE OF APPARATUS WITHOUT WRITTEN PERMISSION.		DRAWN: C. SMITH	DATE: 04-07-06
			CHECKED: X	DATE: X
NorComp		SCALE: N.T.S.	SHEET 1	OF 2
		DWG NO. BACKSHELL - 982 SERIES		REV 0

ASSEMBLY INSTRUCTIONS:

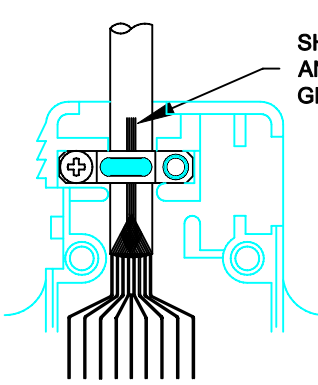
1. SELECT THE CABLE ENTRY PORT NEEDED, PLACE THE SLOT BLOCKING TAB IN THE OTHER SLOT MAKING SURE IT IS FULLY SEATED. INSERT THE CABLE THROUGH THE CABLE SLOT ENTRY TAB
2. PREPARE CABLE ENDS, CONNECT TO CONNECTOR
3. CLAMP STRAIN RELIEF ONTO CABLE MAKING SURE CABLE JACKET IS BELOW STRAIN RELIEF. INSERT THE GROUNDING SPRING AS SHOWN IN DETAIL
4. IF CABLE IS SHIELDED, FOLD SHIELD AND/OR GROUND WIRE BACK UNDER STRAIN RELIEF. CUT OFF ANY EXCESS WIRE SO IT DOES NOT STICK OUT OF THE HOOD
5. INSERT THE STRAIN RELIEF INTO THE STRAIN RELIEF RECESS AREA IN ONE HALF OF THE HOOD MAKING SURE THE CABLE SLOT ENTRY TAB IS FULLY SEATED
6. PLACE THE OTHER HALF OF THE HOOD ON TOP OF THE FIRST HALF, MAKING SURE NO WIRES ARE PINCHED AND SNAP THE TWO HALVES TOGETHER MAKING SURE THEY ARE FULLY SEATED



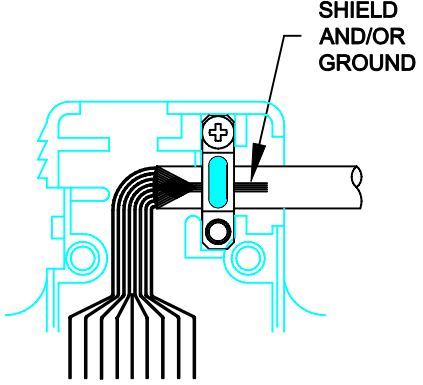
GROUNDING SPRING



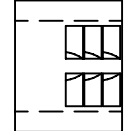
STRAIN RELIEF AND GROUNDING SPRING MOUNTING DETAIL



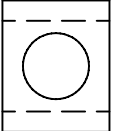
ITEM No. 1, 3, 4 & 5
TOP ENTRY



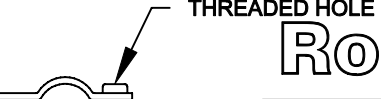
ITEM No. 1, 3, 4 & 5
SIDE ENTRY



CABLE SLOT BLOCK TAB



CABLE SLOT ENTRY TAB



STRAIN RELIEF CLAMP

RoHS COMPLIANT

METALIZED PLASTIC

	THESE DRAWINGS AND SPECIFICATIONS ARE THE PROPERTY OF NorComp AND SHALL NOT BE REPRODUCED, COPIED OR USED AS THE BASIS FOR THE MANUFACTURE OF SALE OF APPARATUS WITHOUT WRITTEN PERMISSION.		DRAWN: C. SMITH	DATE: 04-07-06
			CHECKED: X	DATE: X
NorComp		SCALE: N.T.S.	SHEET 2	OF 2
		DWG NO. BACKSHELL - 982 SERIES		