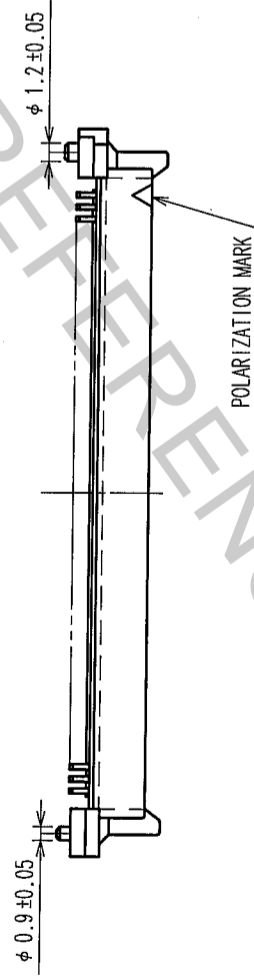
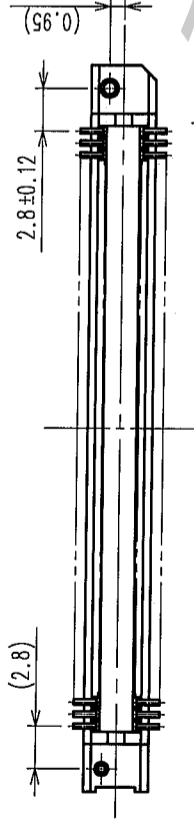
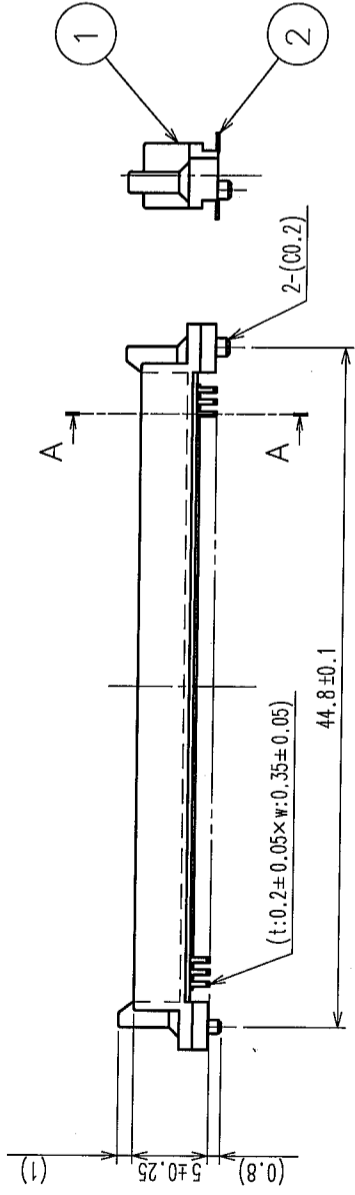
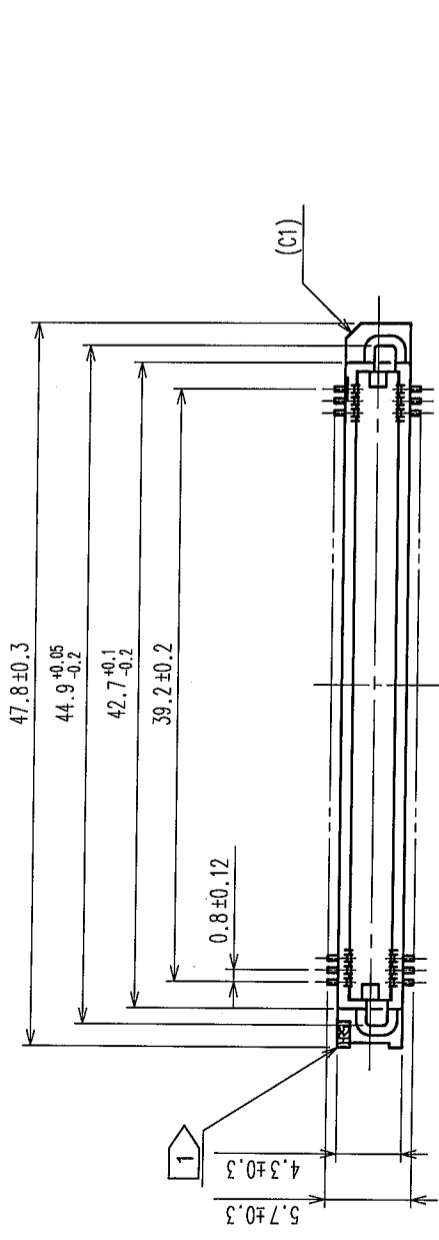
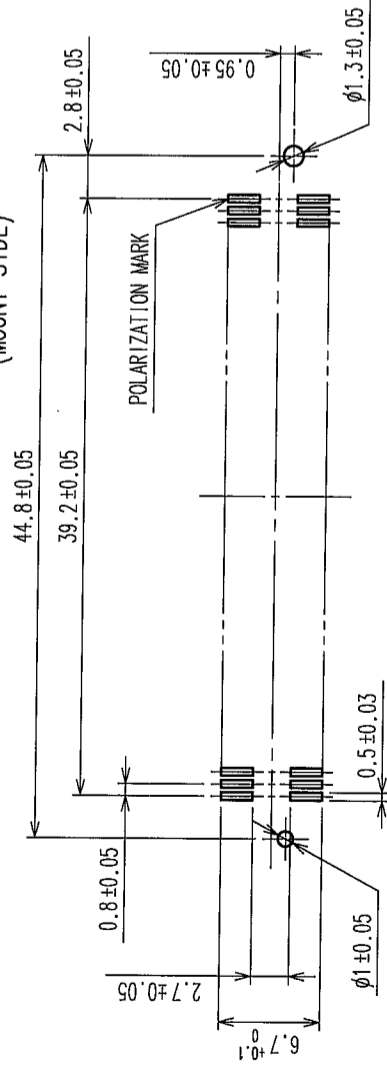


COUNT	DESCRIPTION OF REVISIONS	BY	CHKD	DATE	COUNT	DESCRIPTION OF REVISIONS	BY	CHKD	DATE
△					△				
△					△				
△					△				

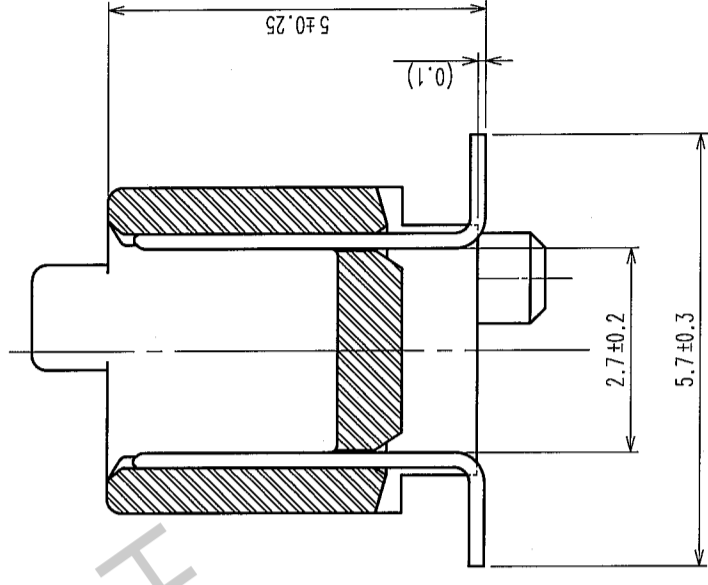
A B C D E F



RECOMMENDED LAND PATTERN DIMENSIONS (MOUNT SIDE)



A-A (10:1)



NOTE

- HRS MARK SHALL BE OPTIONAL.
- LEAD CO-PLANARITY SHALL BE 0.1mm MAX.
- THE DIMENSIONS IN PARENTHESES ARE FOR REFERENCE.
- TUBE PACKAGING SHALL BE APPLIED FOR THIS PRODUCT. SEE NEXT PAGE FOR DETAILS.
- THIS PRODUCT HAS TAPE FOR VACUUM PICKUP. SEE NEXT PAGE FOR DETAIL OF STICKING POSITION, ETC.
- FOR MODIFICATION, ETC., PREVENTIVE HOLE FOR SINK MARK MAY BE ADDED ACCORDING TO CIRCUMSTANCES.

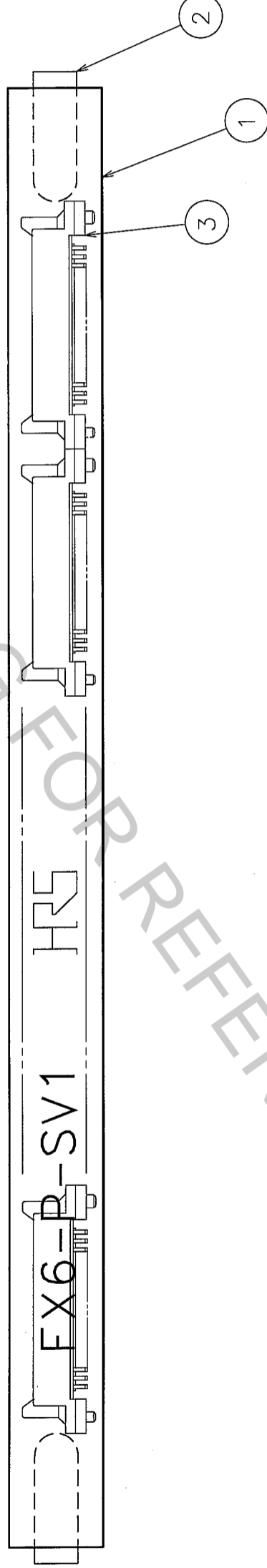
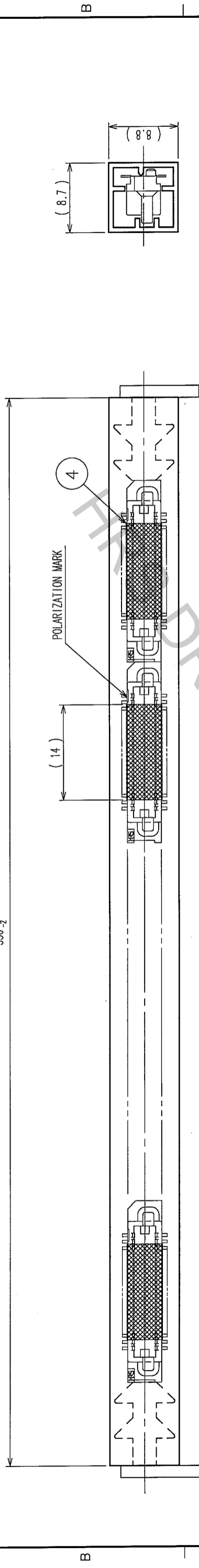
NO.	MATERIAL	FINISH, REMARKS	NO.	MATERIAL	FINISH, REMARKS
1	PPS	LIGHT BROWN UL94V-0	2	PHOSPHOR BRONZE	
CONTACT AREA: GOLD 0.1μm min. LEAD AREA: TIN-PLATING 1μm min. UNDER PLATING: NICKEL 1μm min.					
NO. (OLD)		DRAWN		DESIGNED	
CL		T. YANAGISAWA		K. Ogasawara	
		'05.11.15		'05.11.15	
				05-11-15	
DRAWING NO.			PART NO.		
EDC3-084975-21			FX6-100P-0.8SV1(91)		
SCALE			CODE NO.		
2:1			CL576-0028-0-91		
UNITS			1/2		
mm					



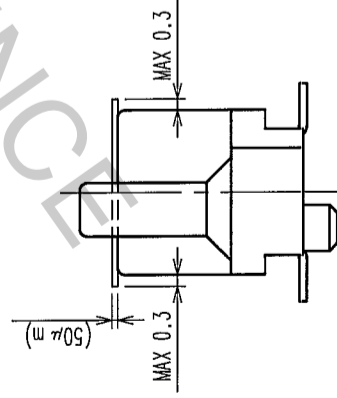
HIROSE ELECTRIC CO., LTD

COUNT	DESCRIPTION OF REVISIONS	BY	CHKD	DATE	COUNT	DESCRIPTION OF REVISIONS	BY	CHKD	DATE
△					△				
△					△				
△					△				

550 2



- NOTE 1 THE DIMENSIONS IN PARENTHESSES ARE FOR REFERENCE.
 2 ONE TUBE CONSISTS OF 11 PIECES.
 3 REMOVE THE VACUUM PICK-UP TAPE AFTER MOUNTING THE CONNECTOR.



DETAIL FOR TAPE FOR VACUUM PICK-UP (5 : 1)

NO.	PVC	(STOPPER)	4	POLYIMIDE	(TAPE FOR VACUUM PICK-UP)
1	PVC	(TUBE)	3		(CONNECTOR)
NO.	MATERIAL	FINISH, REMARKS	NO.	MATERIAL	FINISH, REMARKS
CODE NO. (OLD)	DRAWN		DESIGNED	CHECKED	APPROVED
CL	T. YANAGISAWA		N. Nakamura	N. Nakamura	H. Kawa
	'05.11.15		'05.11.15	'05.11.15	'05.11.15
	DRAWING NO.	PART NO.			
	EDC3-084975-21	FX6-100P-0.8SV1(91)			
SCALE					
2 : 1					
UNITS					
mm					
HRS		HIROSE ELECTRIC CO., LTD		CL576-0028-0-91	
				2	

TO	