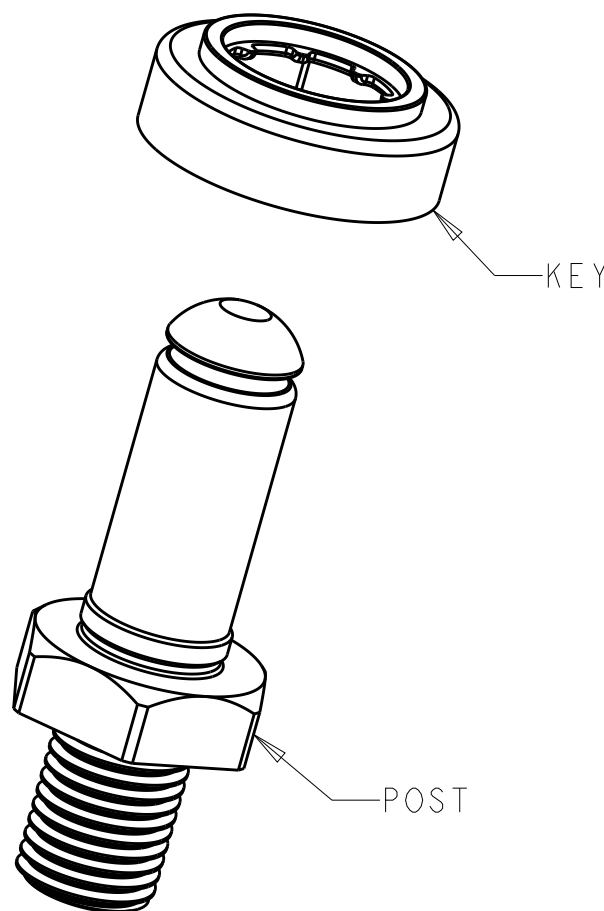
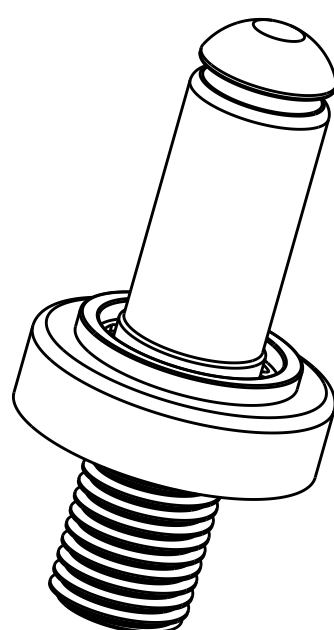
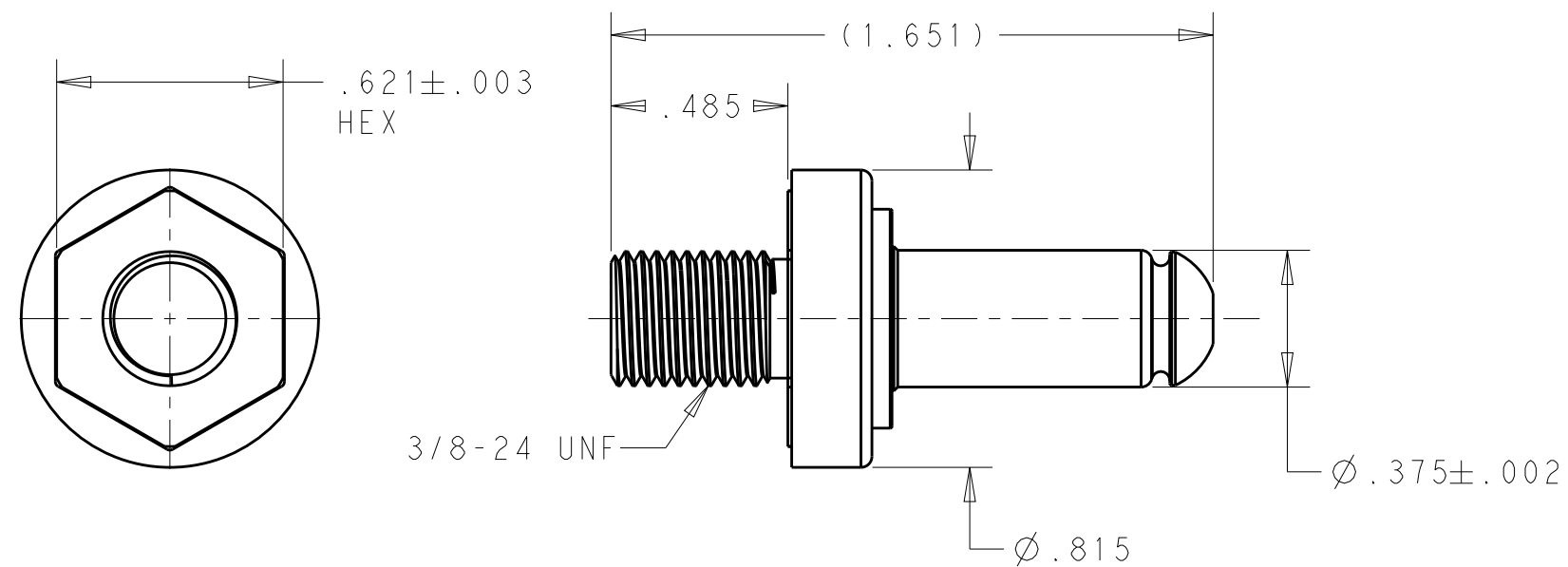


REVISIONS

P	LTR	DESCRIPTION	DATE	DWN	APVD
	B	REV PER ECO 16-014336	10-28-16	CT	PD



- 1 KEY: THERMOPLASTIC, COLOR: PER TABLE  
POST: COPPER ALLOY
- 2 POST: SILVER OVER NICKEL
- 3. DO NOT ASSEMBLE KEY ONTO POST UNTIL POST IS INSTALLED
- 4. KIT WILL CONTAIN:  
1 POST  
1 KEY



BLACK	2226744-8
RED	2226744-7
BLUE	2226744-6
YELLOW	2226744-5
KEY COLOR	PART NUMBER

THIS DRAWING IS A CONTROLLED DOCUMENT.		DWN 18SEP2014 MCKIBBEN, JOHN		<b>TE Connectivity</b>													
DIMENSIONS: INCHES		CHK 18SEP2014 OH, LAWRENCE															
		TOLERANCES UNLESS OTHERWISE SPECIFIED:		NAME KIT, SNAP-LUG, KEY AND POST													
<table border="0"> <tr><td>0 PLC</td><td>±-</td></tr> <tr><td>1 PLC</td><td>±.1</td></tr> <tr><td>2 PLC</td><td>±.02</td></tr> <tr><td>3 PLC</td><td>±.005</td></tr> <tr><td>4 PLC</td><td>±.0005</td></tr> <tr><td>ANGLES</td><td>±-</td></tr> </table>		0 PLC	±-	1 PLC	±.1	2 PLC	±.02	3 PLC	±.005	4 PLC	±.0005	ANGLES	±-	APVD 17OCT2014 FUJIMOTO, JOHN		PRODUCT SPEC 108-32083	
0 PLC	±-																
1 PLC	±.1																
2 PLC	±.02																
3 PLC	±.005																
4 PLC	±.0005																
ANGLES	±-																
MATERIAL		FINISH		APPLICATION SPEC 114-32130													
1		2		WEIGHT .072 lbs													
CUSTOMER DRAWING				SIZE A3	CAGE CODE -												
				DRAWING NO C-2226744	RESTRICTED TO -												
				SCALE 2:1	SHEET 1 OF 1												
				REV B													