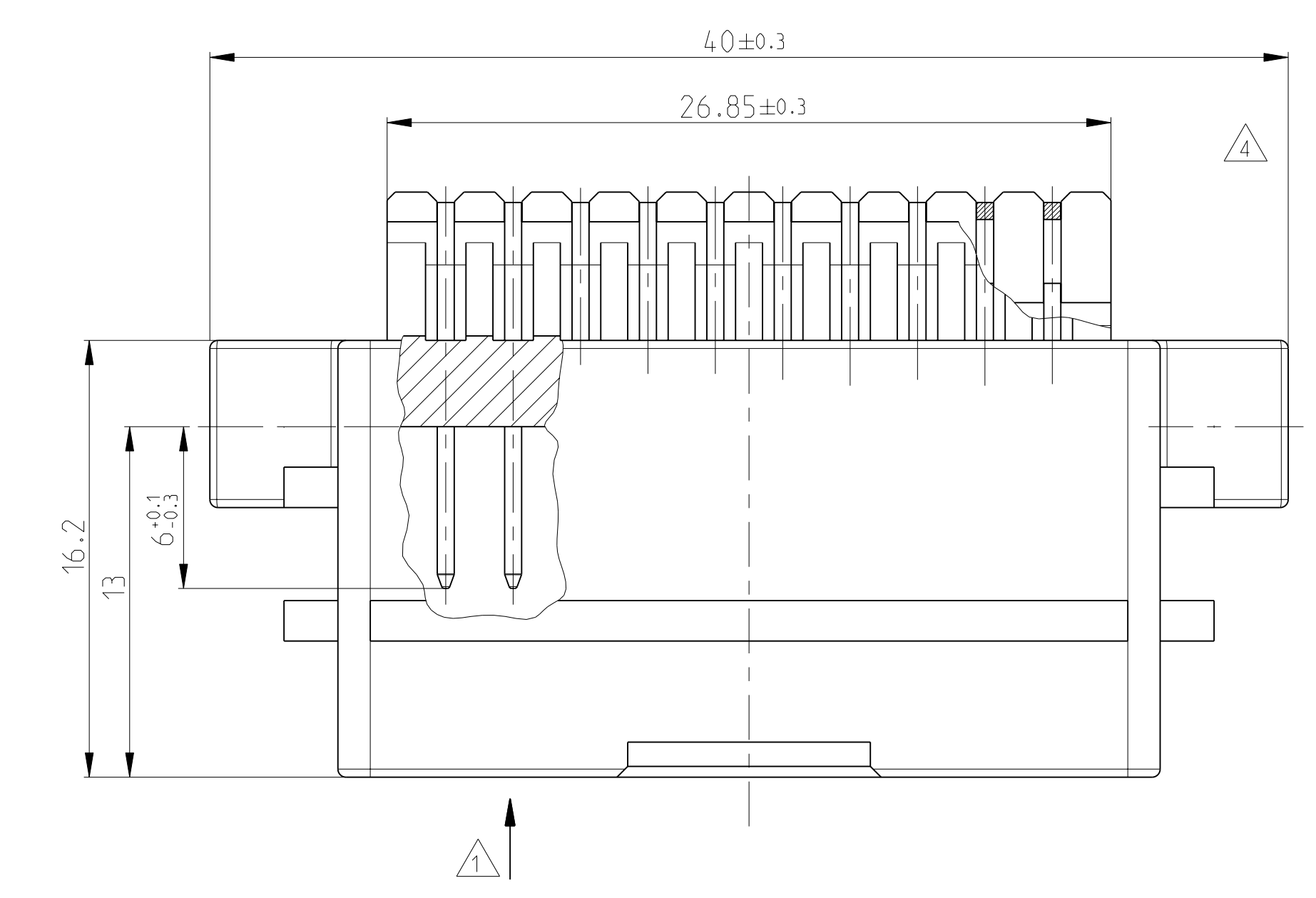
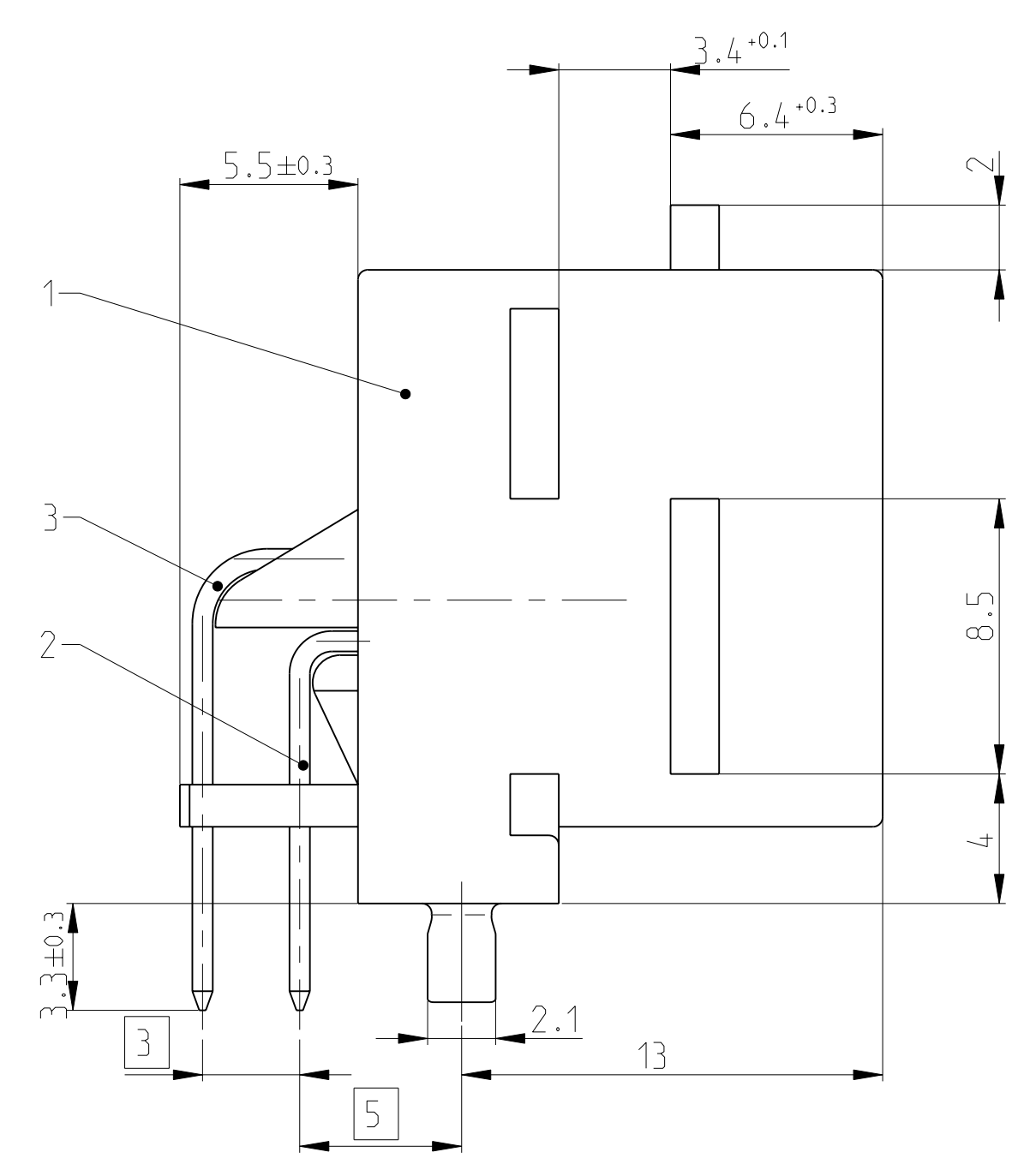
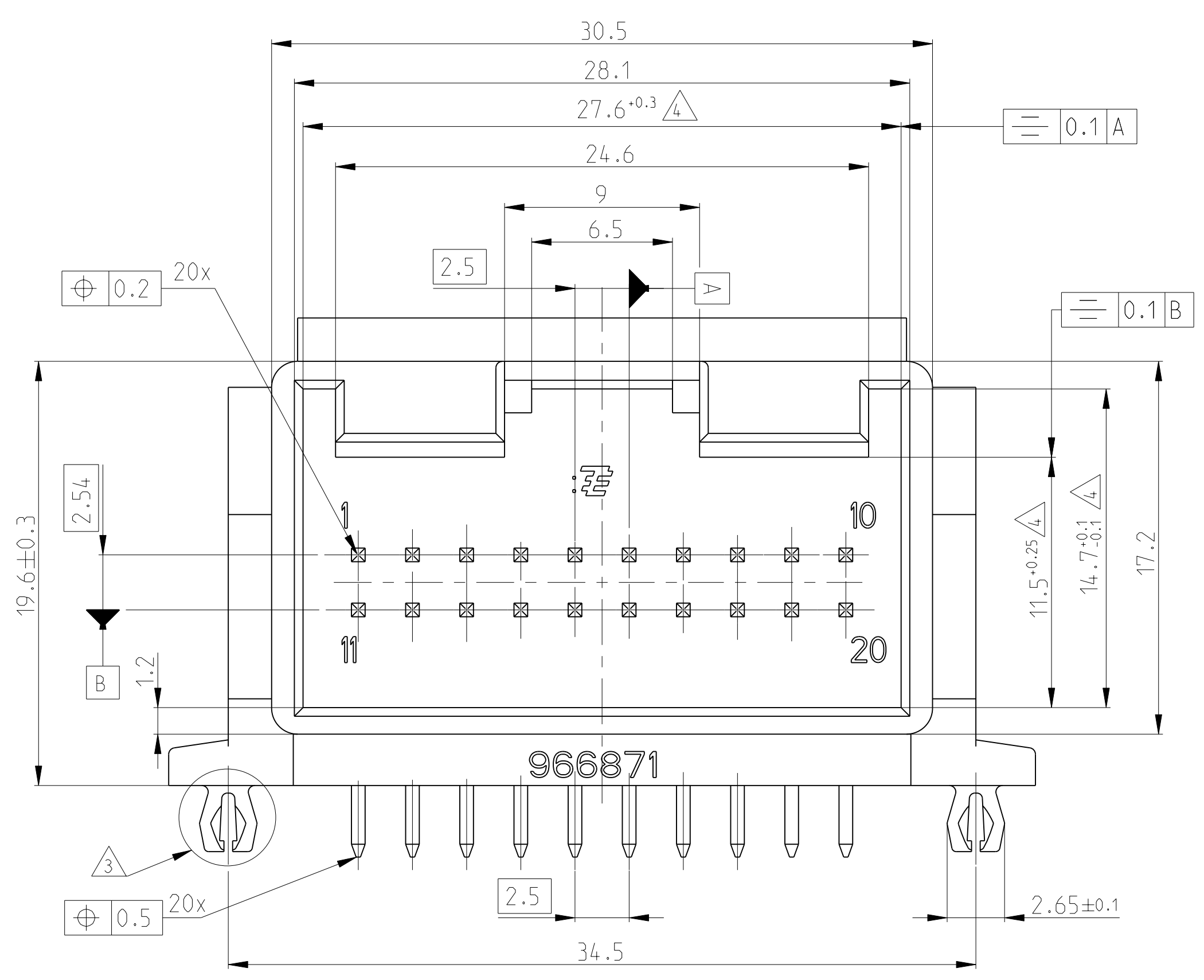
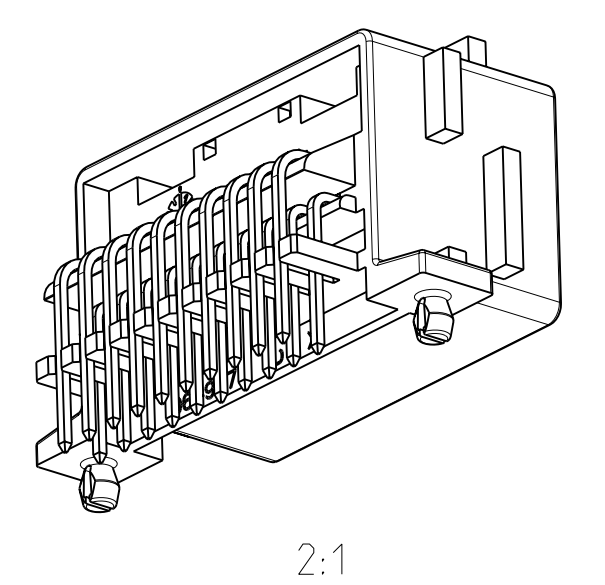
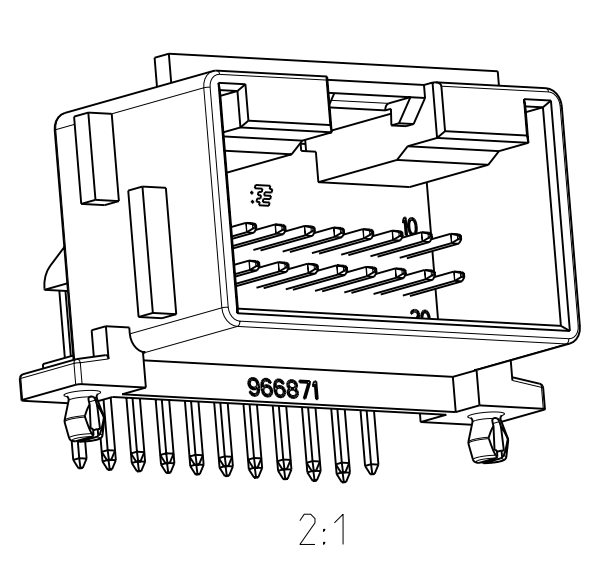
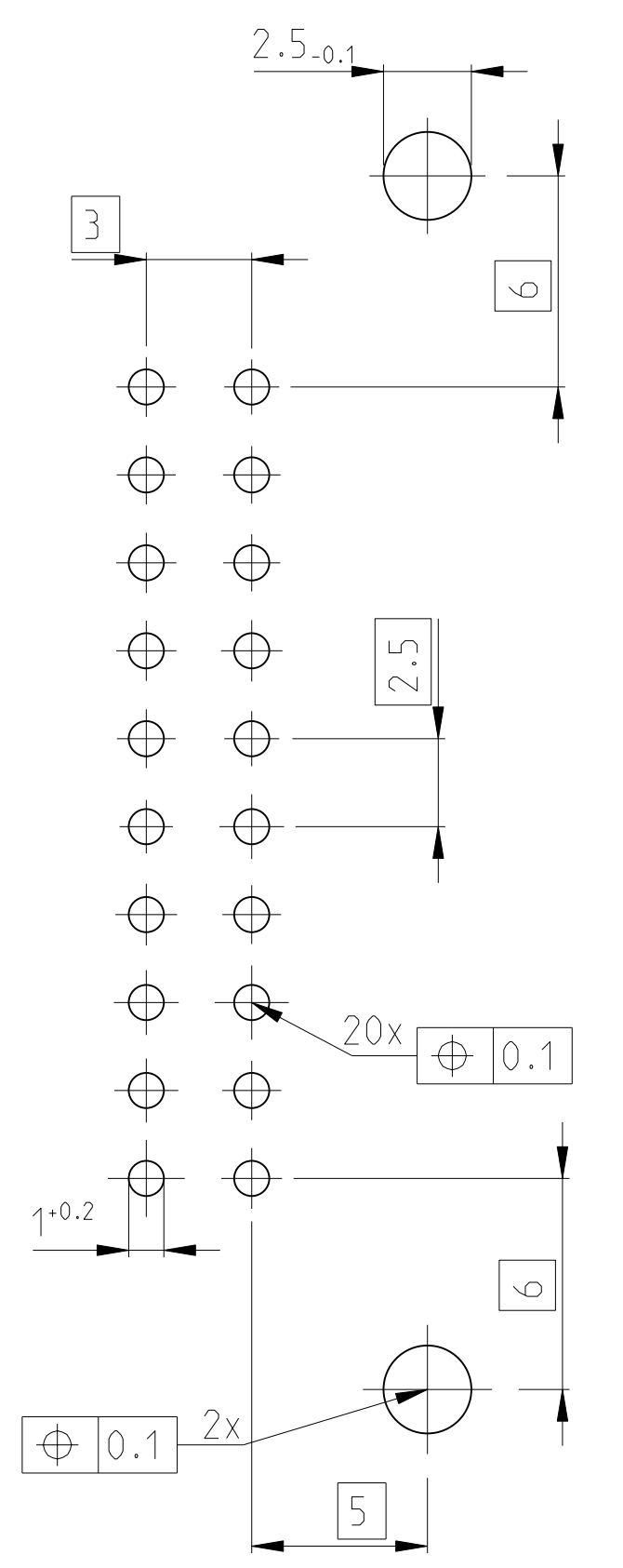


LOC	DIST	REV	DATE	BY	CHK	APPROV
A1	-	B1	05JAN98	KS	-	-
		C1	31JAN01	KS	-	-
		C2	13OCT04	GF	BL	-
		C3	04MAR2009	PS	MZ	-



Empfohlenes
 Leiterplattenbohrbild
 RECOMMENDED
 CIRCUIT BOARD



- Bemerkungen
- △ Kontaktausdrueckkraft min. 40N
 - 2 Passender Anschlussstecker:
 Abdeckkappen VW/Audi: 969422
 Abdeckkappen Neutral: 969546
 Kontaktgehäuse: 828929-3
 969683-X
 - △ Rastzapfen fuer Leiterplattendicke 1.5mm
 - △ Formbedingter Einfall max. 0.3 zul.
 - △ Verpackung A:
 Karton PN 0-740906-1
 Tray PN 0-740966-2
 Zwischenlage (338x535mm)
 - △ Verpackung B:
 Karton PN 0-740906-1
 Tray PN 0-740966-2
 Beutel PN 1379066-3

- NOTES
- △ PRESS OUT FORCE MIN. 40N
 - 2 SUITABLE CONNECTOR:
 SHIELDS VW/AUDI : 969422
 SHIELDS NEUTRAL: 969546
 CONTACT HOUSING: 828929-3
 969683-X
 - △ LOCKING PIN FOR PCB THICKNESS 1.5MM
 - △ TOOL DEPENDENT WARPAGE MAX. 0.3 PERMITTED
 - △ PACKAGING A:
 BOX PN 0-740906-1
 TRAY PN 0-740966-2
 CORRUGATED INNER LAYER (338X535mm)
 - △ PACKAGING B:
 BOX PN 0-740906-1
 TRAY PN 0-740966-2
 BAG PN 1379066-3

TE-ORDER-NO.	REV.	POS.	QTY.	DESCRIPTION	MATERIAL	SURFACE COLOUR	PACKAGING
1-966 871-1	C	3	10	MODU II PIN □0.63 (26.9MM)	CuSn6	TIN-PLATED	B
		2	10	MODU II PIN □0.63 (21.7MM)	CuSn6	TIN-PLATED	
966 871-1	C	1	1	2X10 POS. PIN-HEADER	PBT-GF 15	BLACK	A
		3	10	MODU II PIN □0.63 (26.9MM)	CuSn6	TIN-PLATED	
	C	2	10	MODU II PIN □0.63 (21.7MM)	CuSn6	TIN-PLATED	A
		1	1	2X10 POS. PIN-HEADER	PBT-GF 15	BLACK	

DWN: K.Sellien 07MAR96 CHK: B.Kirsch 07MAR96 APVD: - NAME: - PRODUCT SPEC: AMPMODU MODU II Stiftleiste, 2x10 pol. PRODUCT SPEZ: - APPLICATION SPEC: - VERARBEITUNGSSPEZ: - SIZE: A11 CAGE CODE: 00779 DRAWING NO: 966871 FILE PRGMS-NR: - MATERIAL: S. TAB. S. TAB. WEIGHT: 6.64 g CUSTOMER DRAWING	Tyco Electronics Deutschland GmbH 0-64625 Bensheim (Germany) Tyco Electronics AMPMODU MODU II Stiftleiste, 2x10 pol. SCALE: MASSSTAB 5:1 SHEET: 1 OF 1 REV: C3
--	--