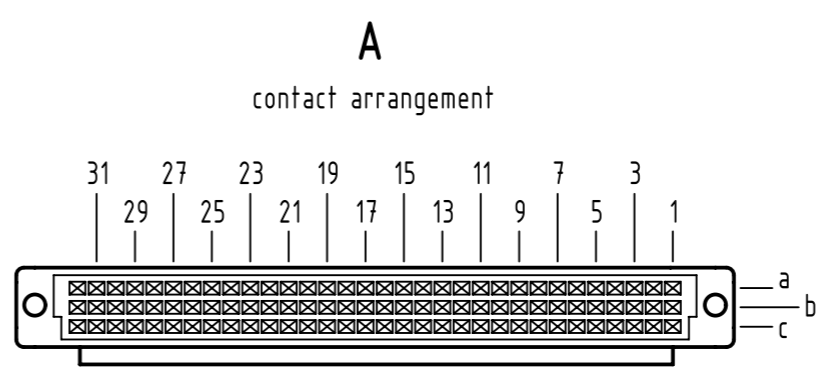
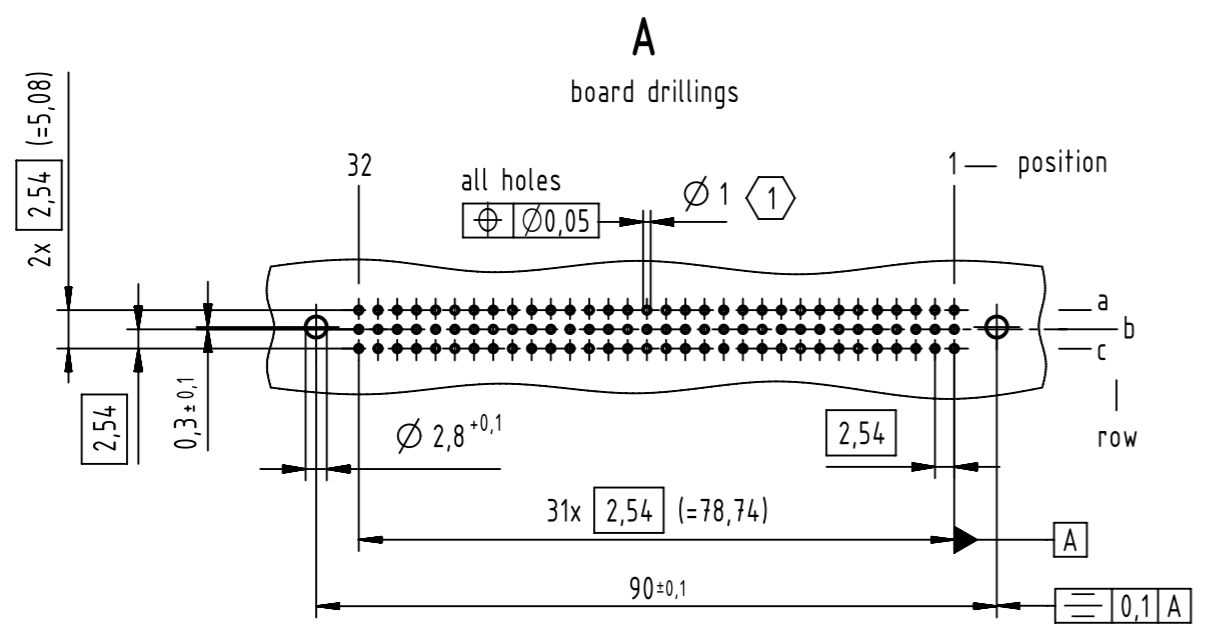


1 2 3 4 5 6 7 8

A  
B  
C  
D  
E  
F

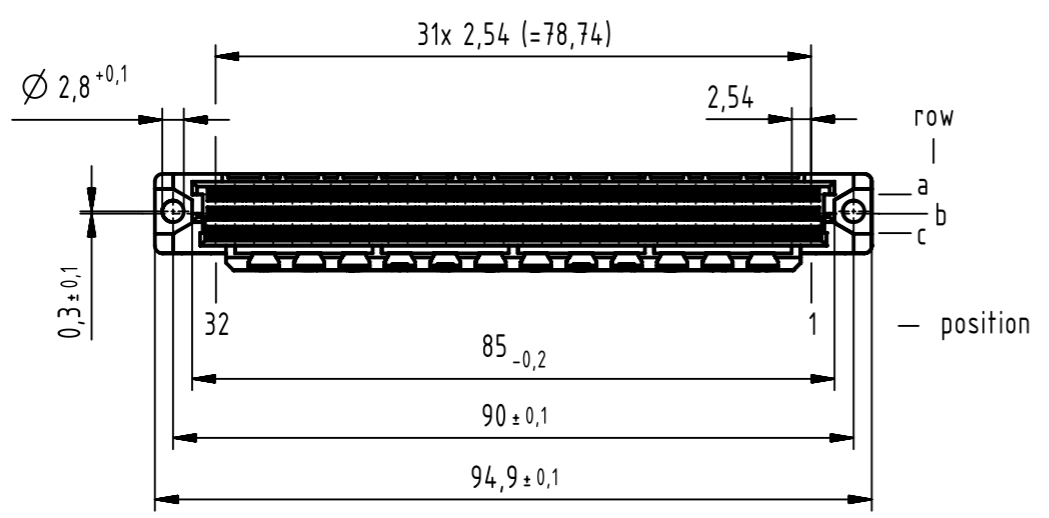
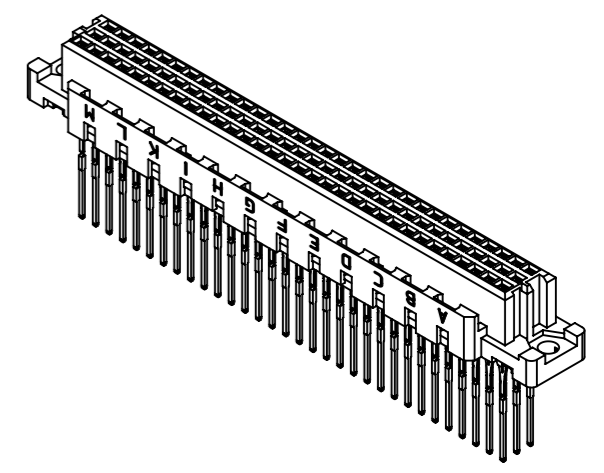
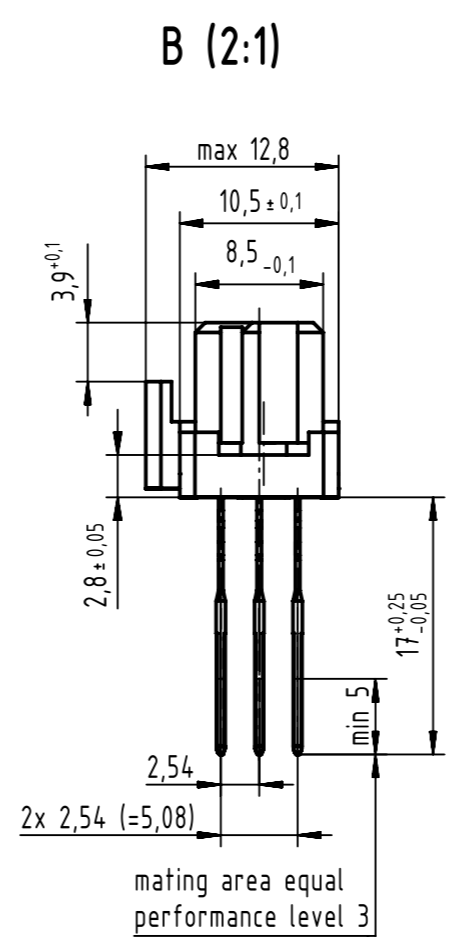
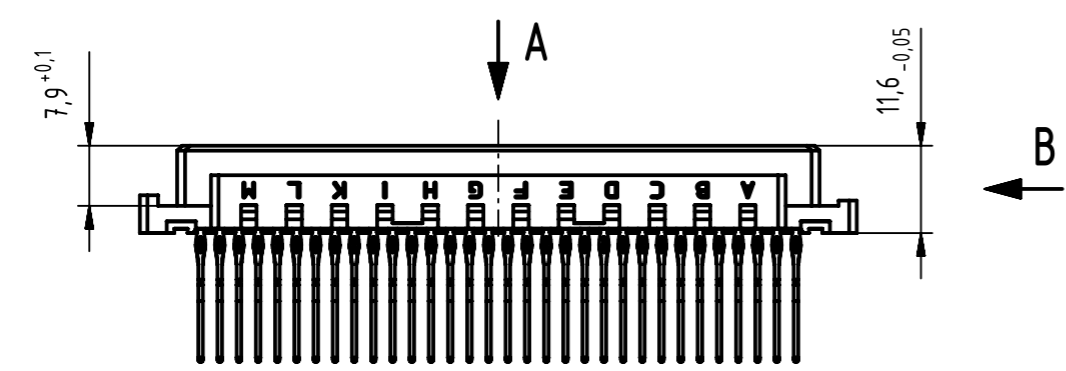
A  
B  
C  
D  
E  
F



96 press-in contacts

$\otimes$  = position with contact

$\square$  = position without contact



$\text{①}$  recommended configuration of plated through holes and further information see: DS 09032100001

|                |                              |
|----------------|------------------------------|
| 09 03 796 6862 | 2                            |
| part-no        | performance level $\text{①}$ |

|                          |                       |  |              |                 |            |                                     |  |
|--------------------------|-----------------------|--|--------------|-----------------|------------|-------------------------------------|--|
|                          | All rights reserved   | Created by   | Inspected by | Standardisation | Date       | State                               |  |
|                          | Department EC PD - DE | STORCK   | LEHNERT      | KOHLER          | 2016-05-20 | Final Release                       |  |
| HARTING Electronics GmbH |                       | Title  |              |                 |            | Doc-Key / ECM-Nr.                   |  |
| D-32339 Espelkamp        |                       | DIN Signal type C female press-in with coding 17.0 |              |                 |            | 100173852/UGD/246/D<br>500000104358 |  |
|                          |                       | Type   | Number       |                 | Rev.       | Page                                |  |
|                          |                       | TB   | 0903796X862  |                 | D          | 1/1                                 |  |

1 2 3 4 5 6 7 8

A3