

# PRODUCT DATASHEET

## Cindy series

last update 22/5/2012

**Ordering number C10859\_CINDY-S**

Family	Cindy	FWHM	22 degrees
Type	Reflector	Efficiency	90 %
LED	CL-L251	cd/lm	2.400
Color	Metal	Gerber File	Available
Diameter	22.6 mm		
Height	12.5 mm		
Style	Hexag		
Optic Material	-		
Holder Material	PC		
Fastening	Glue		
Status	Ready		

**Ordering number C10980\_CINDY-M**

Family	Cindy	FWHM	34 degrees
Type	Reflector	Efficiency	87 %
LED	CL-L251	cd/lm	2.000
Color	Metal	Gerber File	Available
Diameter	22.6 mm		
Height	12.5 mm		
Style	Hexag		
Optic Material	PC		
Holder Material	-		
Fastening	Glue		
Status	Ready		

**Ordering number C10981\_CINDY-W**

Family	Cindy	FWHM	52 degrees
Type	Reflector	Efficiency	86 %
LED	CL-L251	cd/lm	1.300
Color	Metal	Gerber File	Available
Diameter	22.6 mm		
Height	12.5 mm		
Style	Hexag		
Optic Material	PC		
Holder Material	-		
Fastening	Glue		
Status	Ready		

**NOTE: The typical divergence will be changed by different color, chip size and chip position tolerance. The typical total divergence is the full angle measured where the luminous intensity is half of the peak value.**



## PRODUCT DATASHEET

### Cindy series

last update 22/5/2012

#### GENERAL INFORMATION

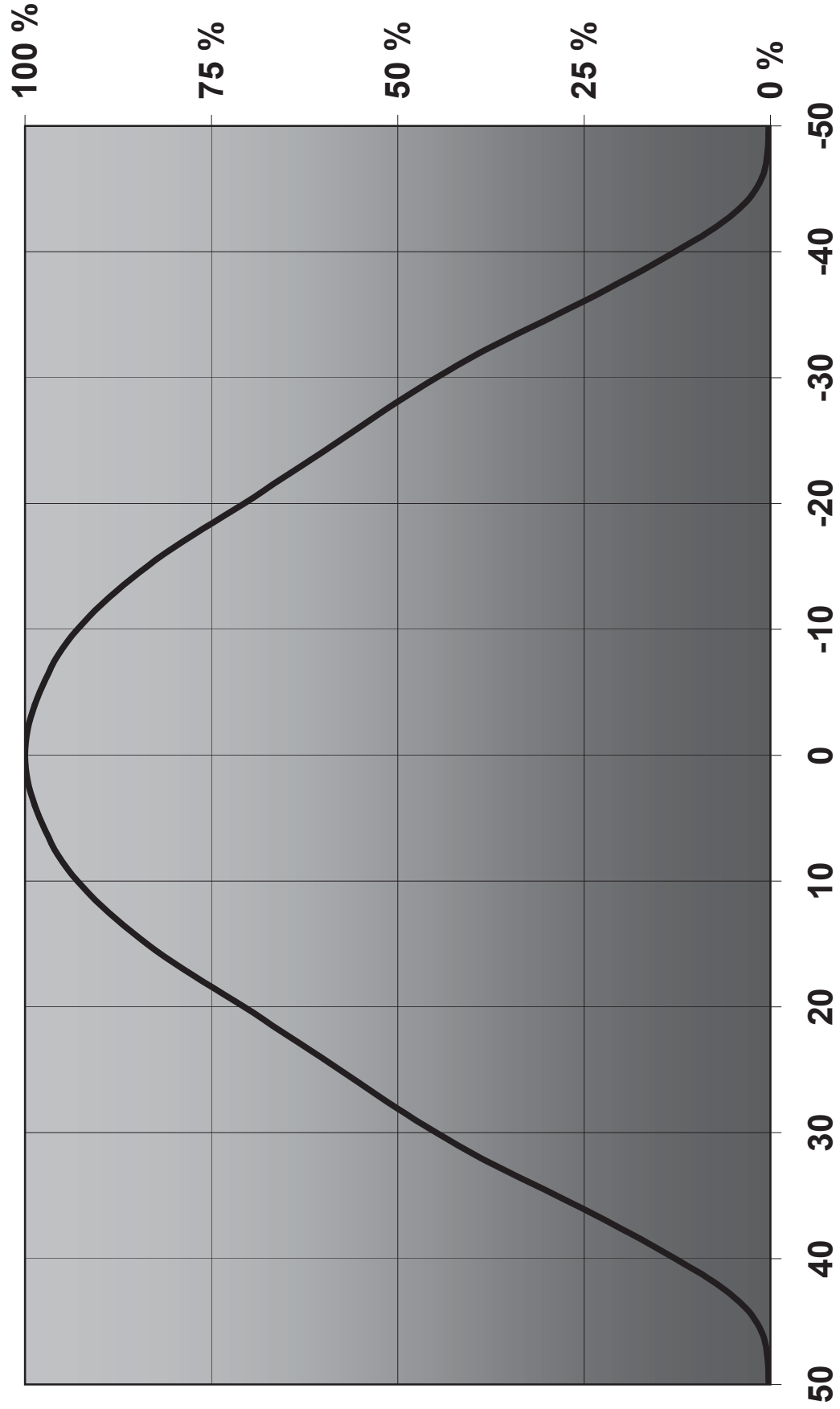
- Product series especially designed & optimized for CL-L251 series of LEDs.
  - Special care taken to make light distribution as uniform as possible.
  - Reflector is made of aluminium coated PC (120 degrees of Celcius / 248 degrees of Fahrenheit) with protective lacquer (110 degrees of Celcius / 230 degrees of Fahrenheit).
  - Optic holder molded by high quality PC material (120 dergees of Celcius / 248 degrees of Fahrenheit).
- Fastening to PCB with appropriate adhesive. By clicking link below you can find Ledil recommended glue options.  
[http://www.ledil.com/datasheets/DataSheet\\_GLUES.pdf](http://www.ledil.com/datasheets/DataSheet_GLUES.pdf)

**NOTE 1: We advise customer to ensure the suitability and sufficiency of the bond in the end product. For example, mechanical stress, vibration and holes on the surface of the circuit board weaken the strength of the glue.**

**NOTE 2: All surfaces where glue is applied must be clean, dry and free from grease and dirt. If cleaning of PCB surfaces is needed, please follow strictly the cleaning instructions of your LED manufacturer -this is important as cleaning shall under no circumstances damage LEDs or other electronics components on the PCB.**

**Further note that optical components shall not be cleaned with any chemicals - only micro fiber cloth may be used to remove fingerprints or other traces from handling.**

**Relative Intensity of C10981\_Cindy-L251-W**



D

C

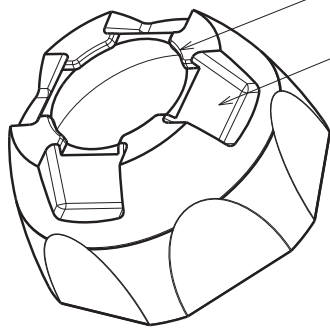
B

A

Guides for centering to LED

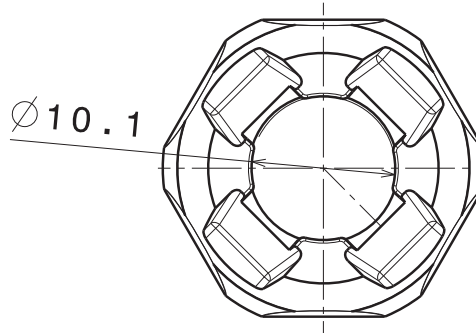
Recesses for solder pads/ screws

4



Bottom view

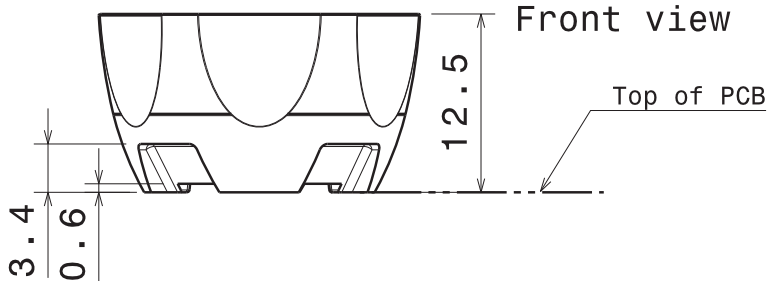
4



3

Front view

3

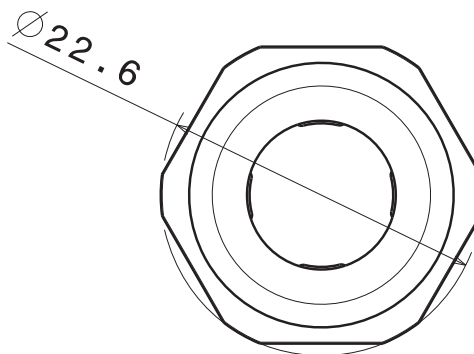


2

Material: PC  
 Coating: metal+clear lacquer

2

Versions;  
 C10859 Spot  
 C10980 Medium  
 C10981 Wide



Top view

This drawing is our property.  
 It can't be reproduced  
 or communicated without  
 our written agreement.



Ledil Oy  
 Tehdaskatu 13  
 FIN-24100 SALO  
 Finland

DRAWING TITLE

DRAWN BY  
pv

DATE  
17.03.2010

Datasheet Cindy L251 Reflector

CHECKED BY  
tk

DATE  
24.02.2010

SIZE  
A4

DRAWING NUMBER  
10859, 10980, 10981

REV  
2

DESIGNED BY  
jj

DATE  
07.08.2008

SCALE 2:1 WEIGHT(g)

SHEET 1/1

1

1

D

A