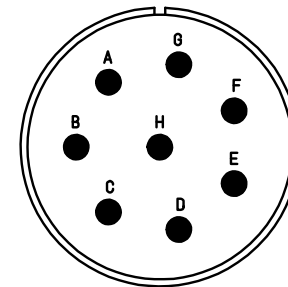
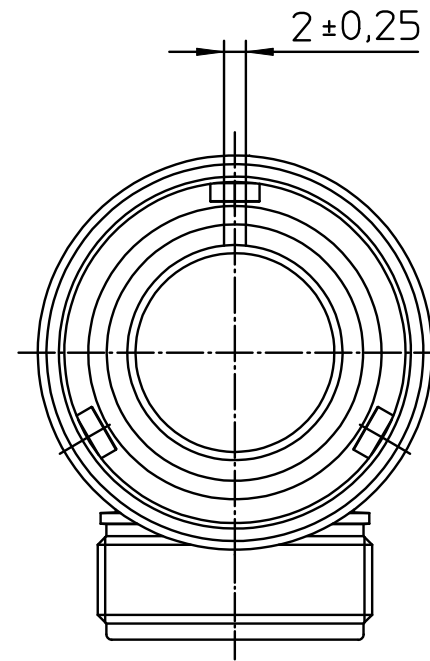
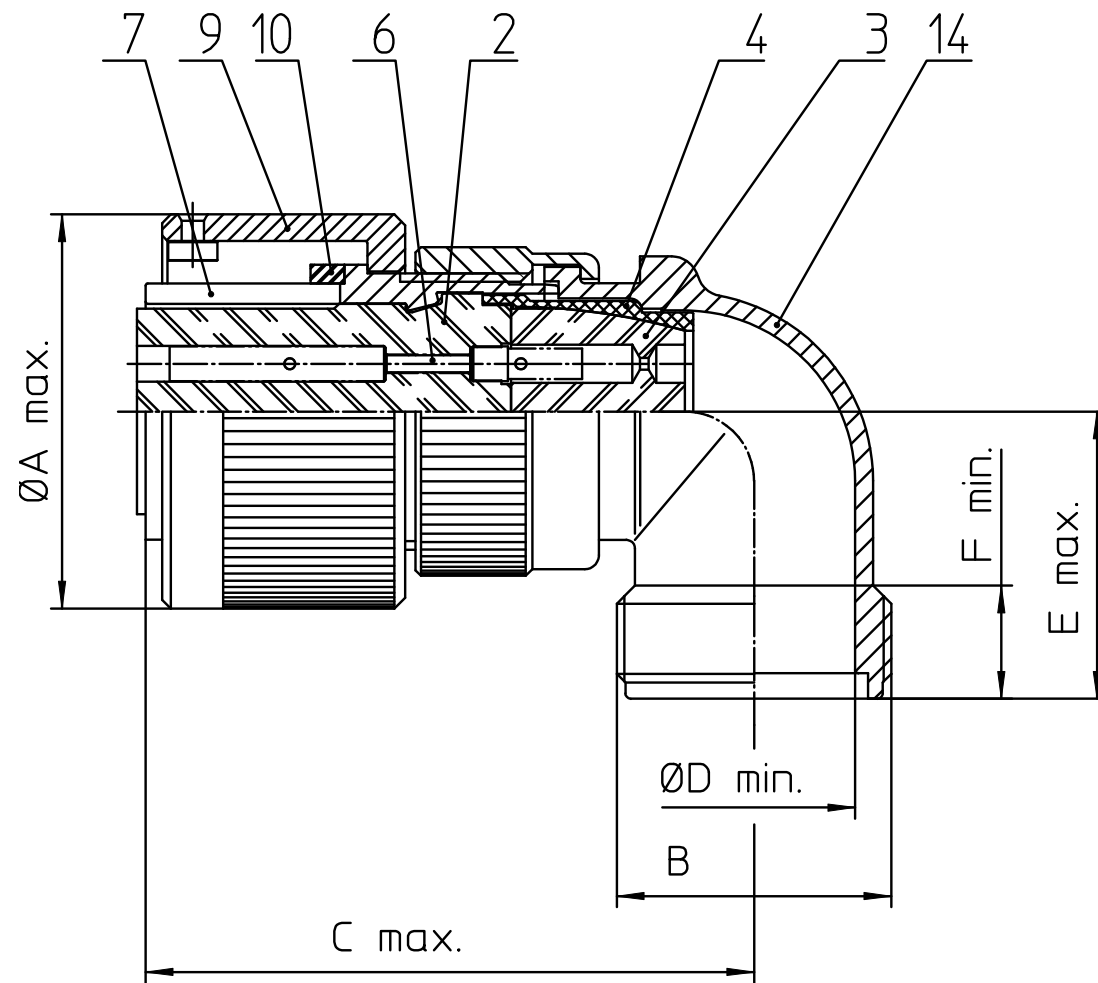


| NO. | MASSE / DIMENSION |
|-----|-------------------|
| A   | 43.1              |
| B   | 1 3/16-18UNEF-2A  |
| C   | 61                |
| D   | 24.6              |
| E   | 30                |
| F   | 9.4               |



| NO. | BESCHREIBUNG / DESCRIPTION              |
|-----|---|
| 2   | ISOLIERKÖRPER BUCHSE / INSULATOR SOCKET |
| 3   | DICHTKÖRPER / GROMMET                   |
| 4   | ENDRING / ENDRING                       |
| 6   | KONTAKTBUCHSE / CONTACT SOCKET          |
| 7   | ZYLINDERGHÄUSE / BARREL                 |
| 9   | ÜBERWURFMUTTER / COUPLING NUT           |
| 10  | DICHTRING FRONT / FRONT SEALING RING    |
| 11  | SCHIRMKRANZ/SHIELDING BRAID             |
| 14  | F-ENDGEHÄUSE / F-ENDBELL                |

Note: Due to an automatic nomenclature system, numbers generated may not be sequential.  
 Specification and Dimensions subject to change  
 Drawings illustrate normal insulator positioning

| Material Specification: |   |
|-------------------------|---|
| Shell Material:         | Aluminium alloy                               |
| Shell Plating:          | Olive drab chromate over cadmium (conductive) |
| Insulator Material:     | CR-Elastomere                                 |
| Contact Material:       | Copper alloy                                  |
| Contact Plating:        | Hard silver                                   |

all dimensions are in mm  
 Dimensions without tolerance indications are general tolerances in acc. with DIN7168m

drawing for  
 CUSTOMER



description CA3108F22-23S-B-15  
 Plug, 90° shielded  
 Shielded with endbell for shielded braids & heat shrinkable boots  
 AWG Crimp / Socket / Layout: 22-23