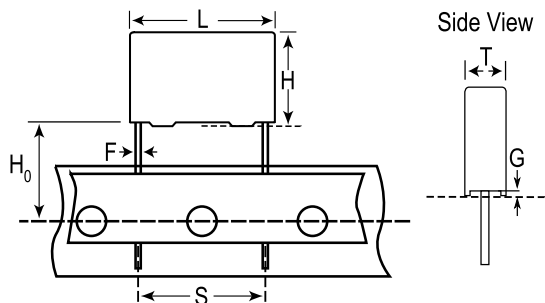


KEMET Part Number: PME295RB4470MR19T0
(P295BQ472M440L)

PME295/P295, Film, Metallized Paper, Safety, 4700 pF, 20%, 440 VAC (Y1) (ENEC), 480 VAC (UL, cUL), 1500 VDC, 115C, Lead Spacing = 15mm



General Information

Supplier:	KEMET
Series:	PME295/P295
Dielectric:	Metallized Paper
Style:	Radial
Features:	EMI Safety
RoHS:	Yes
Lead:	Wire Leads
Qualifications:	ENEC, UL, cUL, CQC
Miscellaneous:	SRF= 22 MHz

Dimensions

L	18mm MAX
H	16mm MAX
T	8.5mm MAX
S	15mm +/-0.4mm
H0	18.5mm +/-0.5mm
F	0.8mm +/-0.05mm
G	0.5mm NOM

Specifications

Capacitance:	4700 pF
Capacitance Tolerance:	20%
Voltage AC:	440 VAC (Y1) (ENEC), 480 VAC (UL, cUL)
Voltage DC:	1500 VDC
Temperature Range:	-40/+115C
Rated Temperature:	115C
Dissipation Factor:	1.3% 1kHz
Insulation Resistance:	12 GOhms
Max dV/dt:	2000 V/us
Safety Class:	Y1

Packaging Specifications

Packaging:	T&R
Packaging Quantity:	400