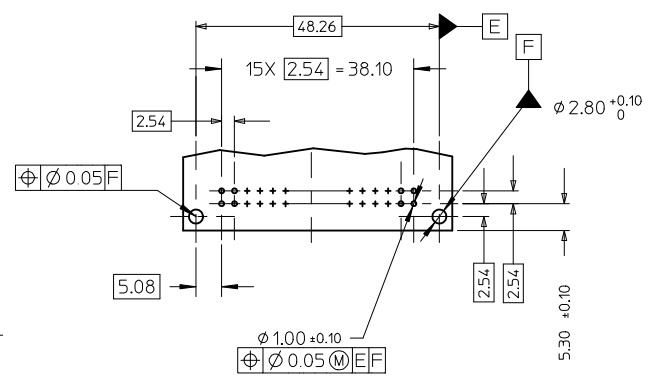
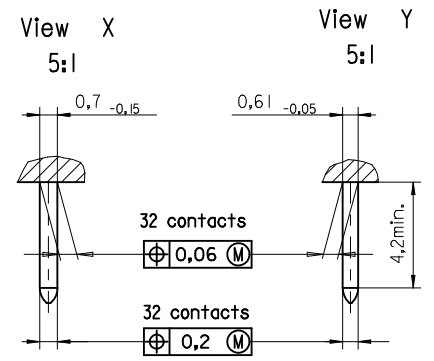


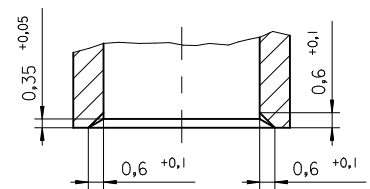
RECOMMENDED PCB LAYOUT  
COMPONENT SIDE



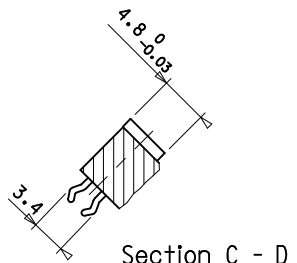
RECOMMENDED PCB THICKNESS - 1,6MM



Section A - B  
5:1



Section C - D



<b>ENTER DESCRIPTION</b> EC NO: 12011-0346 DRWN: VUTTARKAR 2011/08/31 CHKD: KRASAD APPR: KRASAD 2011/09/02	<b>QUALITY SYMBOLS</b> $\nabla_{\text{A}}=0$ $\nabla_{\text{C}}=0$ $\nabla_{\text{F}}=0$	<b>GENERAL TOLERANCES (UNLESS SPECIFIED)</b>		<b>DIMENSION STYLE</b> MM ONLY	SCALE ---	DESIGN UNITS METRIC	FIRST ANGLE PROJECTION		
		4 PLACES ± --- ± --- 3 PLACES ± --- ± --- 2 PLACES ± --- ± --- 1 PLACE ± --- ± ---	mm INCH	DRAWN BY VUTTARKAR	DATE ---	TITLE 32POS. MALE CONNECTOR ACC. DIN 41612 STYLE B/2 DIMENSIONS			
		ANGULAR ± ---°		CHECKED BY KRASAD	DATE ---	MOLEX INCORPORATED			
		DRAFT WHERE APPLICABLE MUST REMAIN WITHIN DIMENSIONS		MATERIAL NO. ---	DATE ---	DOCUMENT NO. SDA-85001-0002	SHEET NO. 1 OF 01	THIS DRAWING CONTAINS INFORMATION THAT IS PROPRIETARY TO MOLEX INCORPORATED AND SHOULD NOT BE USED WITHOUT WRITTEN PERMISSION	

