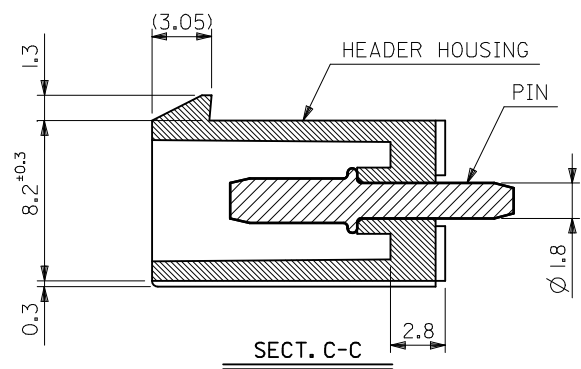
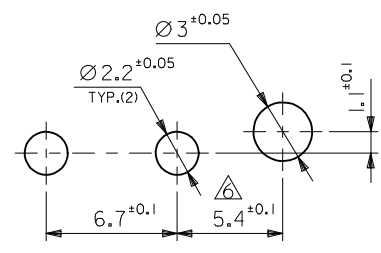
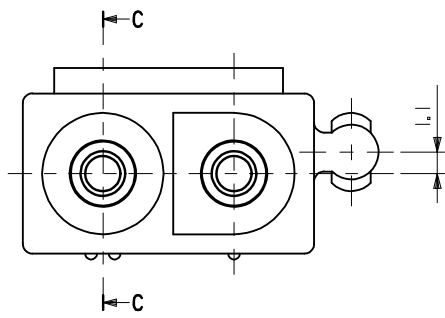
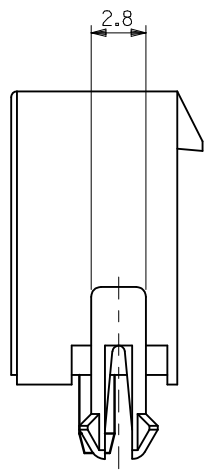
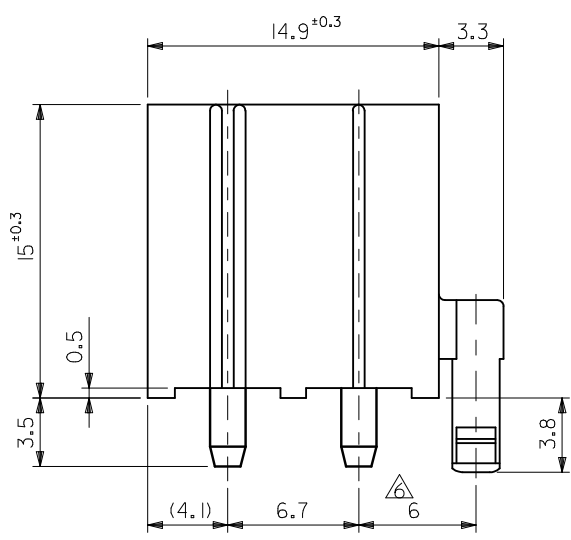


10 9 8 7 6 5 4 3 2 1

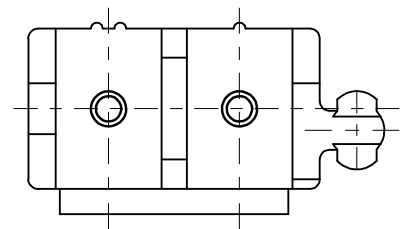


RECOMMENDED P.C.BOARD HOLE DIM.



NOTES:

- 1) MATERIAL:
 HOUSING: "BLANK" = NYLON 6/6, UL94V-2, COLOR: NATURAL
 "201" = NYLON 6/6, UL94V-0, COLOR: NATURAL
 TERMINAL: C2700W BRASS
- 2) FINISH: 0.000003/(.0000001) MIN. TIN OVERALL OVER
 0.000001/(.00000004) MIN. NICKEL OVERALL
- 3) PRODUCT SPECIFICATION: NONE
- 4) PACKAGING: NONE
- 5) MATES WITH: 3191-02R SERIES
- △ DIFFERENCE OF DIMENSION IS INTENTIONAL TO PREVENT PART RISING FROM P.C.B.
- 7) PARTS CONFORM TO CLASS 'B' REQUIREMENTS OF COSMETIC SPECIFICATION PS-45499-002.
- 8) ASSEMBLIES MAY CONTAIN SOLID OR SWAGED (HOLLOW) PINS.



2	39-28-7028	5219-02A-201
	15-31-1026	5219-02A
CIRCUITS	EDP.NO.	ENG.NO.

REVISE NOTE #6 EC NO: UCP2012-1165 DRWNG: STEWART 2011/10/18 CHKD: J.BELL 2012/06/13 APPR: FSMITH 2012/08/16 N3	QUALITY SYMBOLS ▽=0 ▽=0	GENERAL TOLERANCES (UNLESS SPECIFIED) <table border="1"> <tr> <th></th> <th>mm</th> <th>INCH</th> </tr> <tr> <td>4 PLACES</td> <td>± ---</td> <td>± ---</td> </tr> <tr> <td>3 PLACES</td> <td>± ---</td> <td>± .005</td> </tr> <tr> <td>2 PLACES</td> <td>± 0.13</td> <td>± .010</td> </tr> <tr> <td>1 PLACE</td> <td>± 0.25</td> <td>± ---</td> </tr> </table> ANGULAR ± 1°		mm	INCH	4 PLACES	± ---	± ---	3 PLACES	± ---	± .005	2 PLACES	± 0.13	± .010	1 PLACE	± 0.25	± ---	DIMENSION STYLE MM ONLY DRAWN BY DATE H.HASEGAWA 1994/10/26 CHECKED BY DATE H.HIRAMOTO 1996/02/26 APPROVED BY DATE M.FUKUSHIMA 1996/02/26 MATERIAL NO.	SCALE --- DESIGN UNITS METRIC THIRD ANGLE PROJECTION	TITLE NEW INTERNATIONAL CONN. HEADER AND ASSY
		mm	INCH																	
	4 PLACES	± ---	± ---																	
	3 PLACES	± ---	± .005																	
	2 PLACES	± 0.13	± .010																	
1 PLACE	± 0.25	± ---																		
DRAFT WHERE APPLICABLE MUST REMAIN WITHIN DIMENSIONS	SEE CHART	Molex MOLEX INCORPORATED	DOCUMENT NO. SD-5219-02A*-*	SHEET NO. 1 OF 1																
THIS DRAWING CONTAINS INFORMATION THAT IS PROPRIETARY TO MOLEX INCORPORATED AND SHOULD NOT BE USED WITHOUT WRITTEN PERMISSION																				

9 8 7 6 5 4 3 2 1