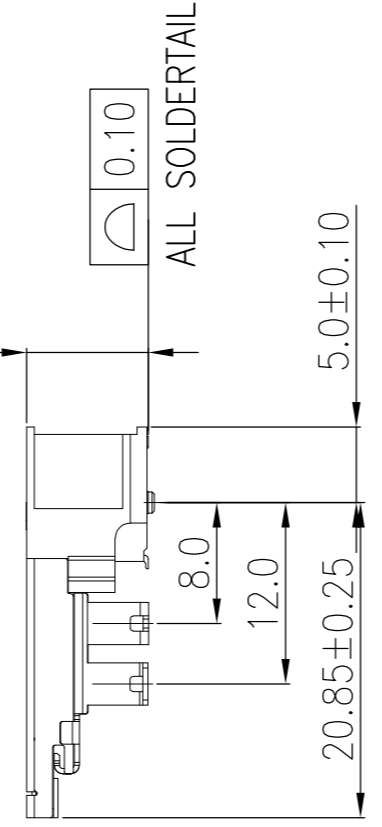
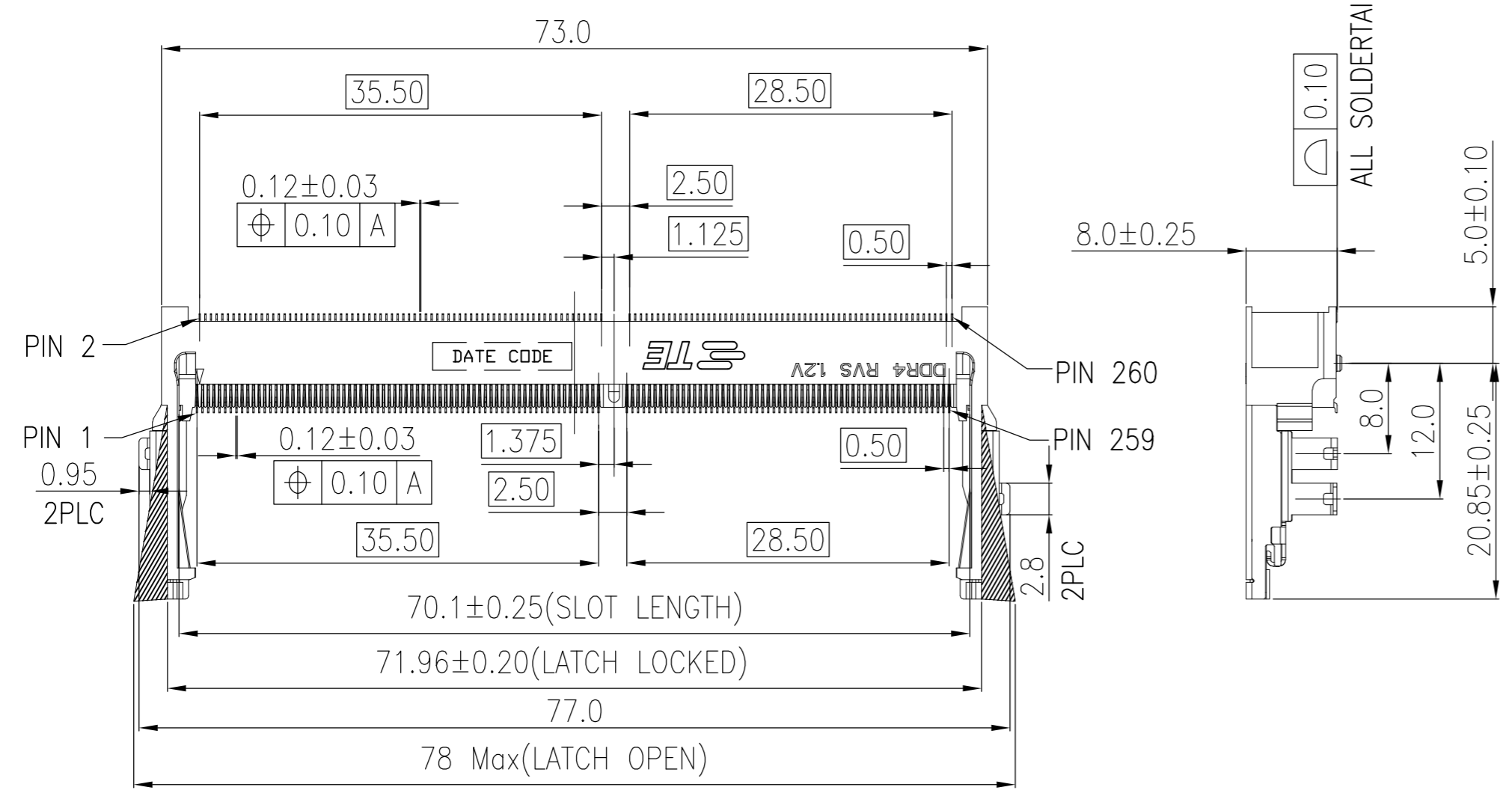
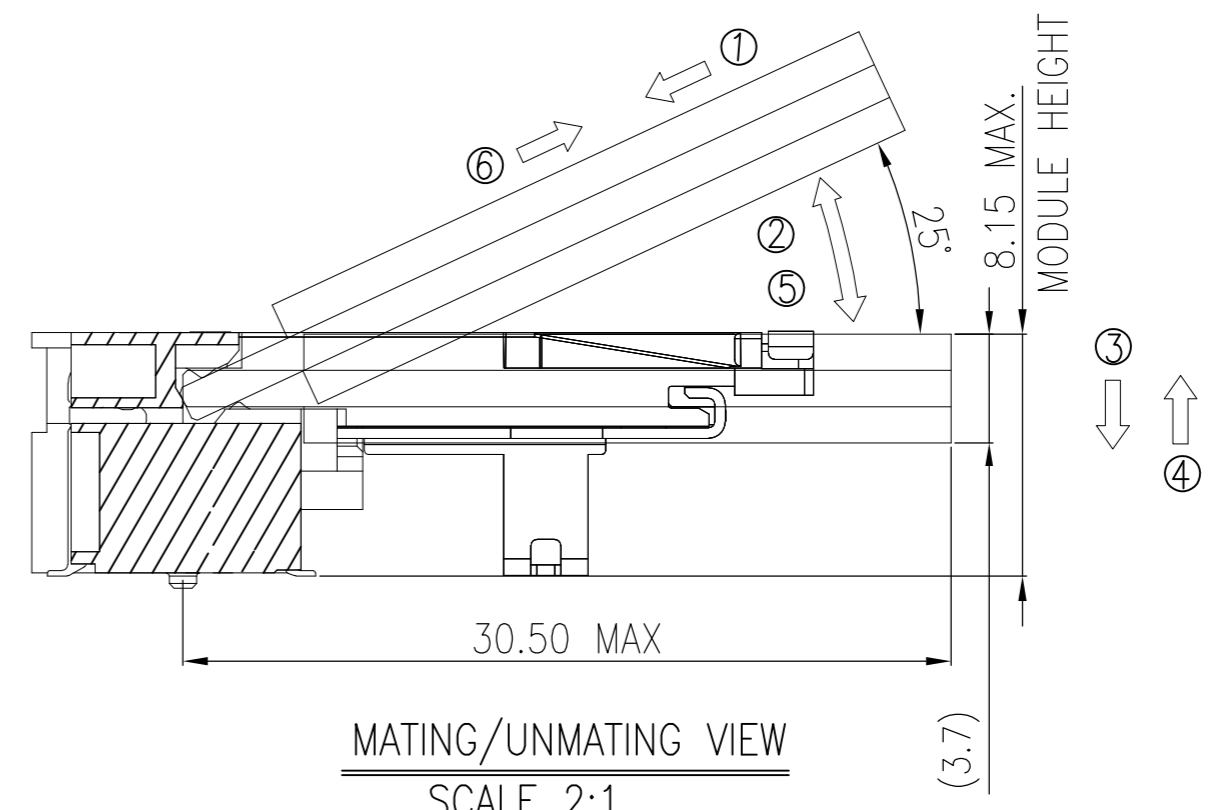
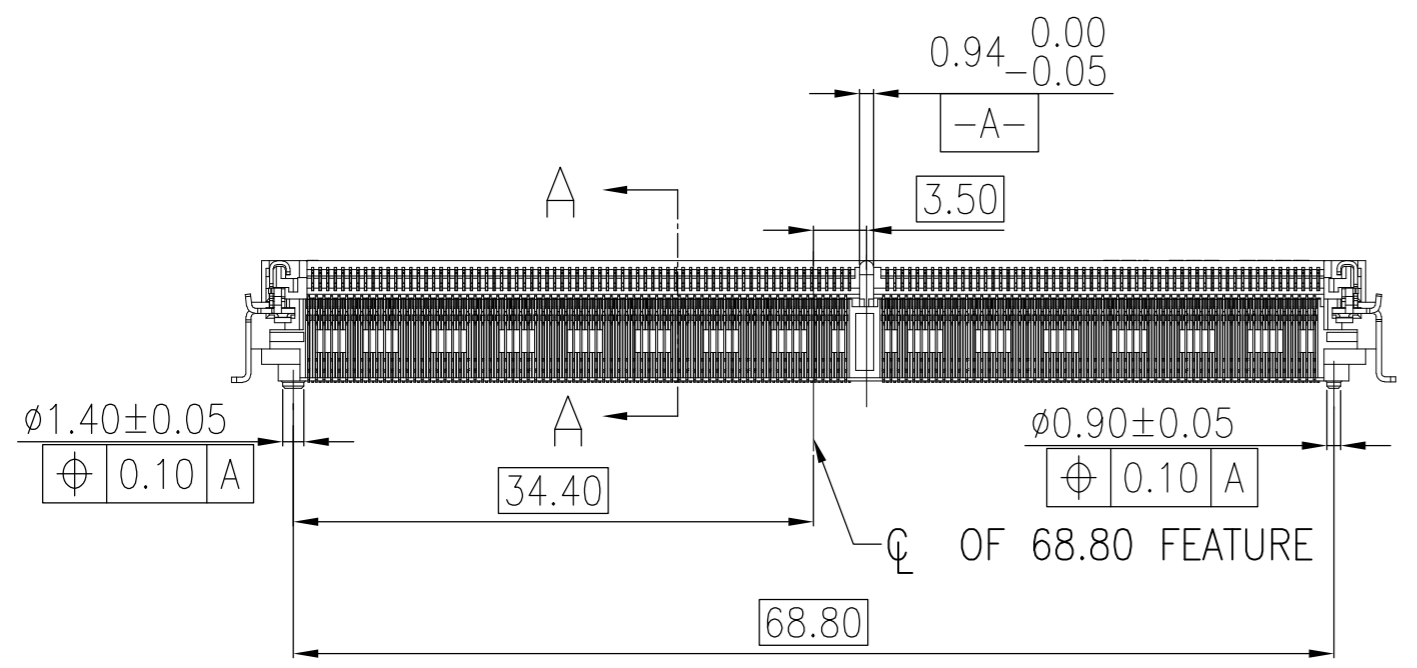


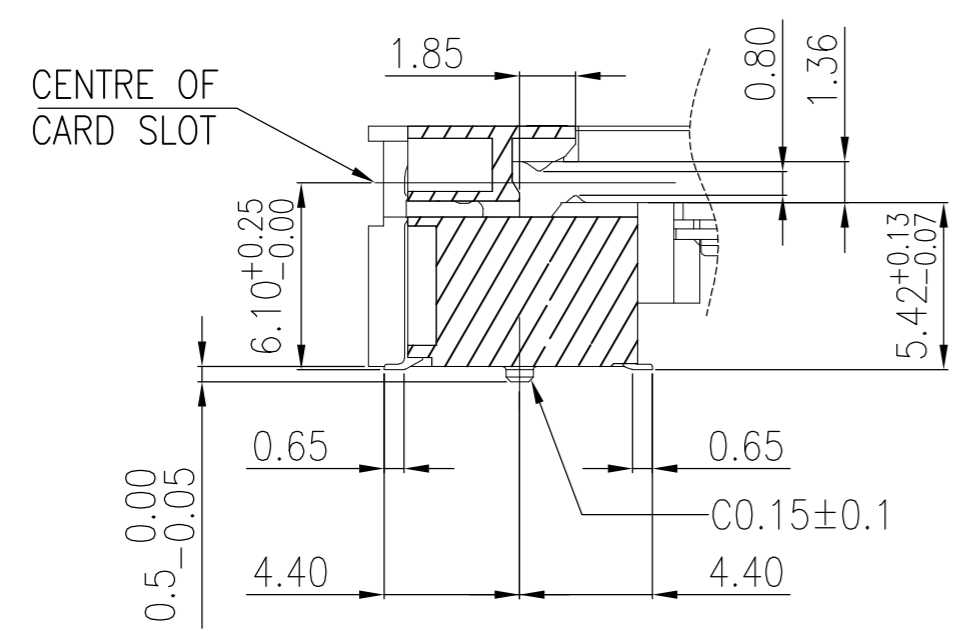
| REVISIONS | | | | | |
|-----------|-----|-------------|-----------|-----|------|
| P | LTR | DESCRIPTION | DATE | DWN | APVD |
| 3 | | REVISED | 18FEB2017 | D.Z | S.L |



- NOTES:
- MATERIAL:
 - HOUSING: HIGH TEMPERATURE THERMO PLASTIC,UL94V-0,COLOR:BLACK.
 - CONTACT: COPPER ALLOY.
 - SOLDER PEG AND LATCH:STAINLESS STEEL.
 - FINISH:
 - SOLDER PEG: GOLD FLASH ON 50u" MIN NICKEL UNDERPLATED ALL OVER.
 - CONTACT SOLDER AREA: GOLD FLASH ON SOLDER TAIL.
 - CONTACT AREA: GOLD FLASH ON 50u" MIN NICKEL UNDERPLATED ALL OVER.
 - CONTACT AREA: 5u" ON 50u" MIN NICKEL UNDERPLATED ALL OVER.
 - CONTACT AREA: 10u" ON 50u" MIN NICKEL UNDERPLATED ALL OVER.
 - CONTACT AREA: 15u" ON 50u" MIN NICKEL UNDERPLATED ALL OVER.
 - CONTACT AREA: 30u" ON 50u" MIN NICKEL UNDERPLATED ALL OVER.
 - COPLANARITY: 0.10 MAX. (BEFORE SOLDERING)



- MATING: ① INSERTING(30°) → ② ROTATING → ③ FIXED
 UNMATING: ④ UNFIXED → ⑤ ROTATING → ⑥ WITHDRAWING

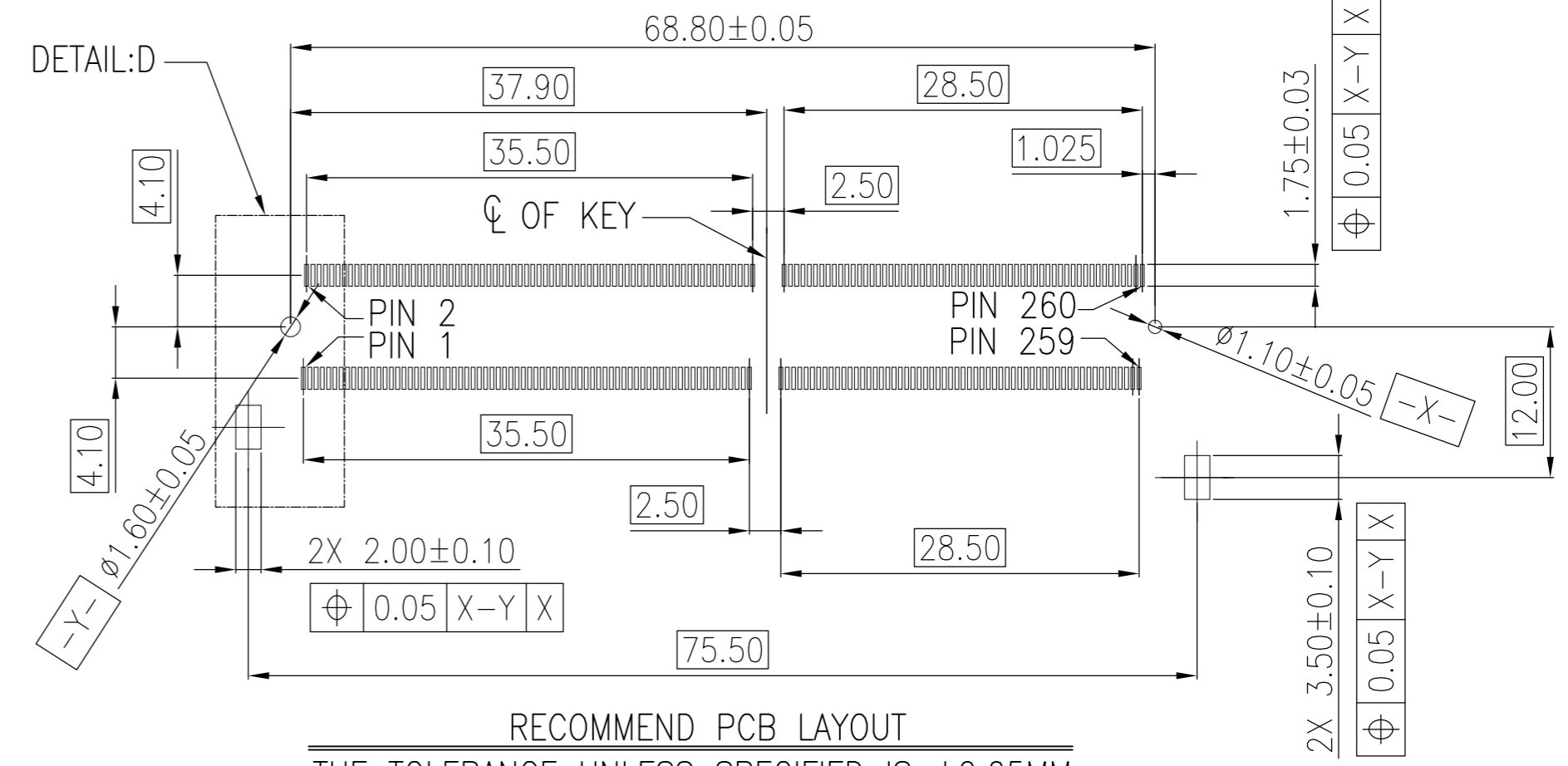
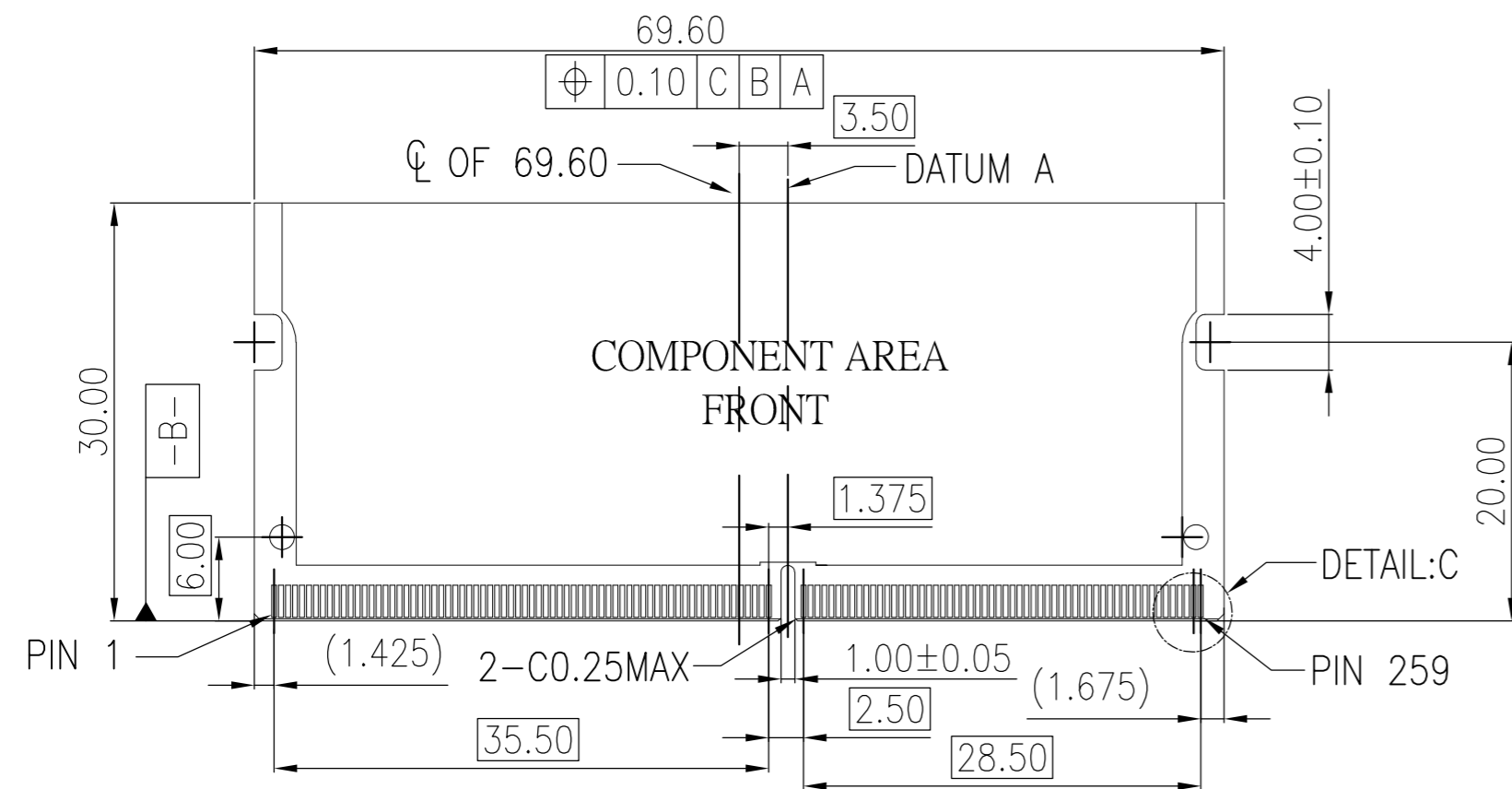


SECTION:A-A
SCALE 2:1

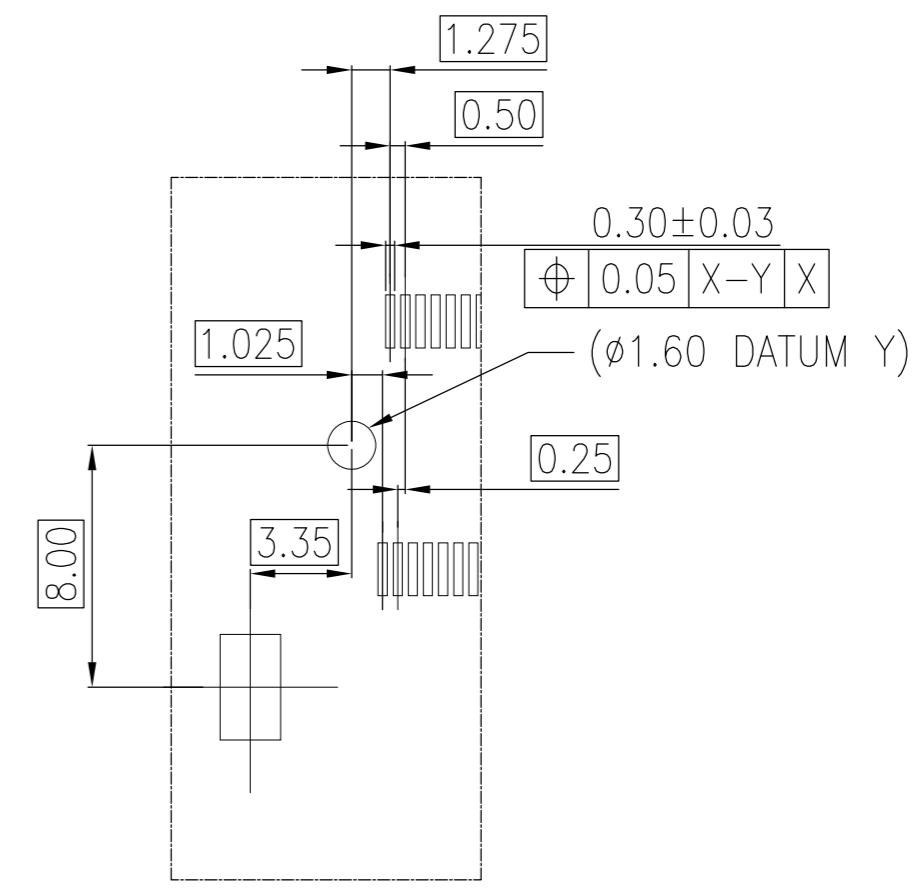
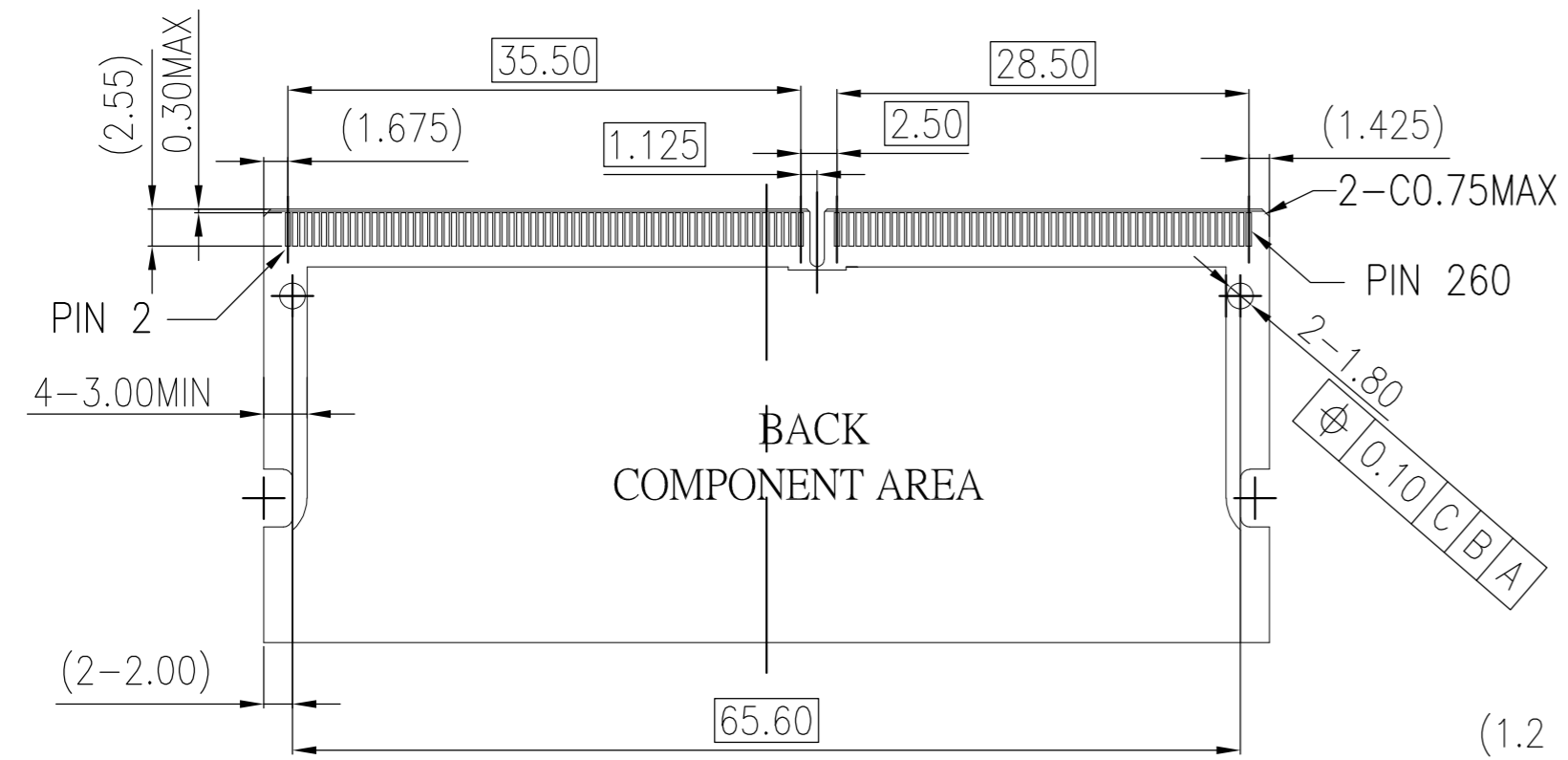
| | | | | | |
|--------------|---------------|--------------|--------|-----|-----------|
| TAPE&REEL | BLACK | 1.2V | 30u" | 260 | 2309412-5 |
| TAPE&REEL | BLACK | 1.2V | 15u" | 260 | 2309412-4 |
| TAPE&REEL | BLACK | 1.2V | 10u" | 260 | 2309412-3 |
| TAPE&REEL | BLACK | 1.2V | 5u" | 260 | 2309412-2 |
| TAPE&REEL | BLACK | 1.2V | GF | 260 | 2309412-1 |
| PACKING TYPE | HOUSING COLOR | POWER SUPPLY | FINISH | POS | PART NO. |

| | | | | | |
|--|--|--------------------------|------------------------------|-----------|------------|
| THIS DRAWING IS A CONTROLLED DOCUMENT. | | DWN DAVID ZHAO 09SEP2016 | | | |
| DIMENSIONS: mm | | CHK RICHARD MA 09SEP2016 | | | |
| TOLERANCES UNLESS OTHERWISE SPECIFIED: | | APVD SIMON LI 09SEP2016 | NAME | | |
| 0 PLC ± - | | PRODUCT SPEC 108-115122 | DDR4 SODIMM SOCKET | | |
| 1 PLC ± 0.25 | | APPLICATION SPEC | 0.5mm PITCH 260POS | | |
| 2 PLC ± 0.15 | | | 8.0mm HEIGHT REVERSE TYPE | | |
| 3 PLC ± 0.10 | | | SIZE | CAGE CODE | DRAWING NO |
| 4 PLC ± - | | | A2 | 00779 | C=2309412 |
| ANGLES ± - | | | RESTRICTED TO | | |
| FINISH | | WEIGHT - | SCALE 1:1 SHEET 1 of 3 REV 3 | | |
| MATERIAL | | CUSTOMER DRAWING | | | |

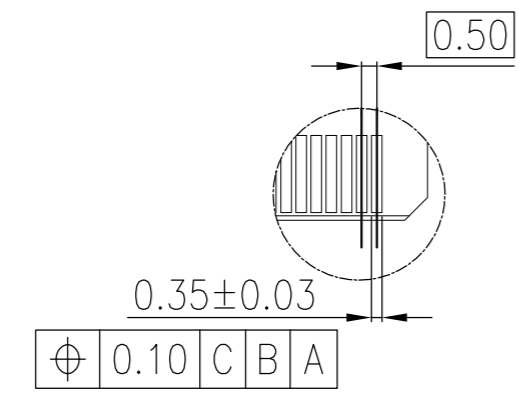
| REVISIONS | | | | | |
|-----------|-----|-------------|------|-----|------|
| P | LTR | DESCRIPTION | DATE | DWN | APVD |
| - | - | | - | - | - |



RECOMMEND PCB LAYOUT
 THE TOLERANCE UNLESS SPECIFIED IS ±0.05MM



DETAIL:D
 SCALE 2:1

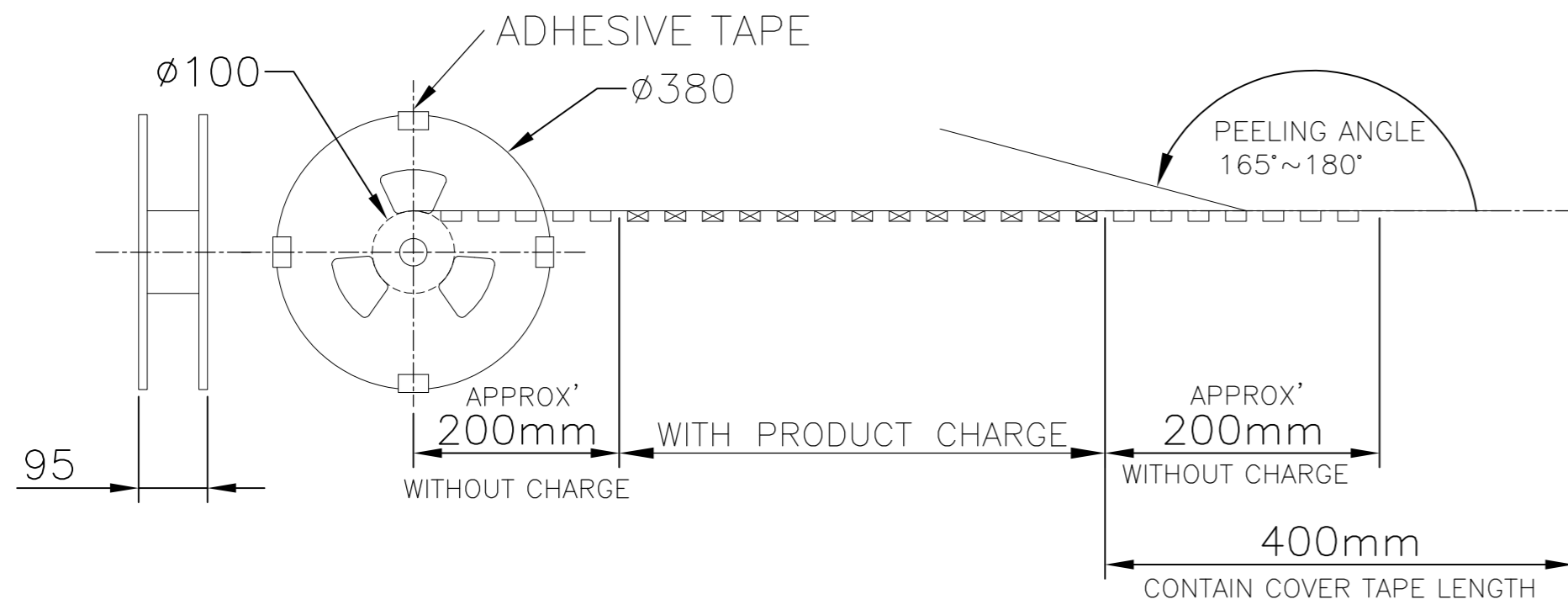


DETAIL:C
 SCALE 2:1

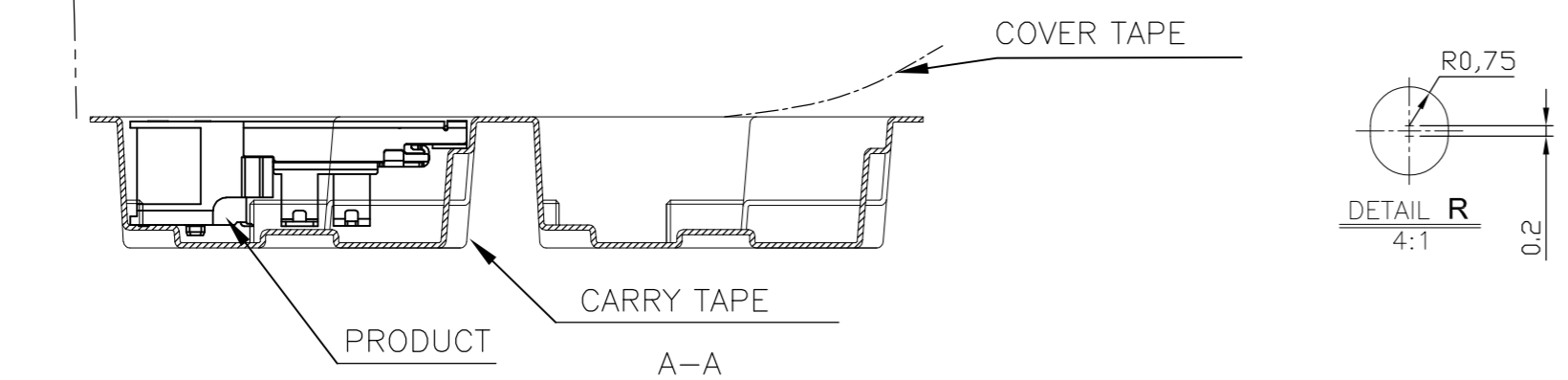
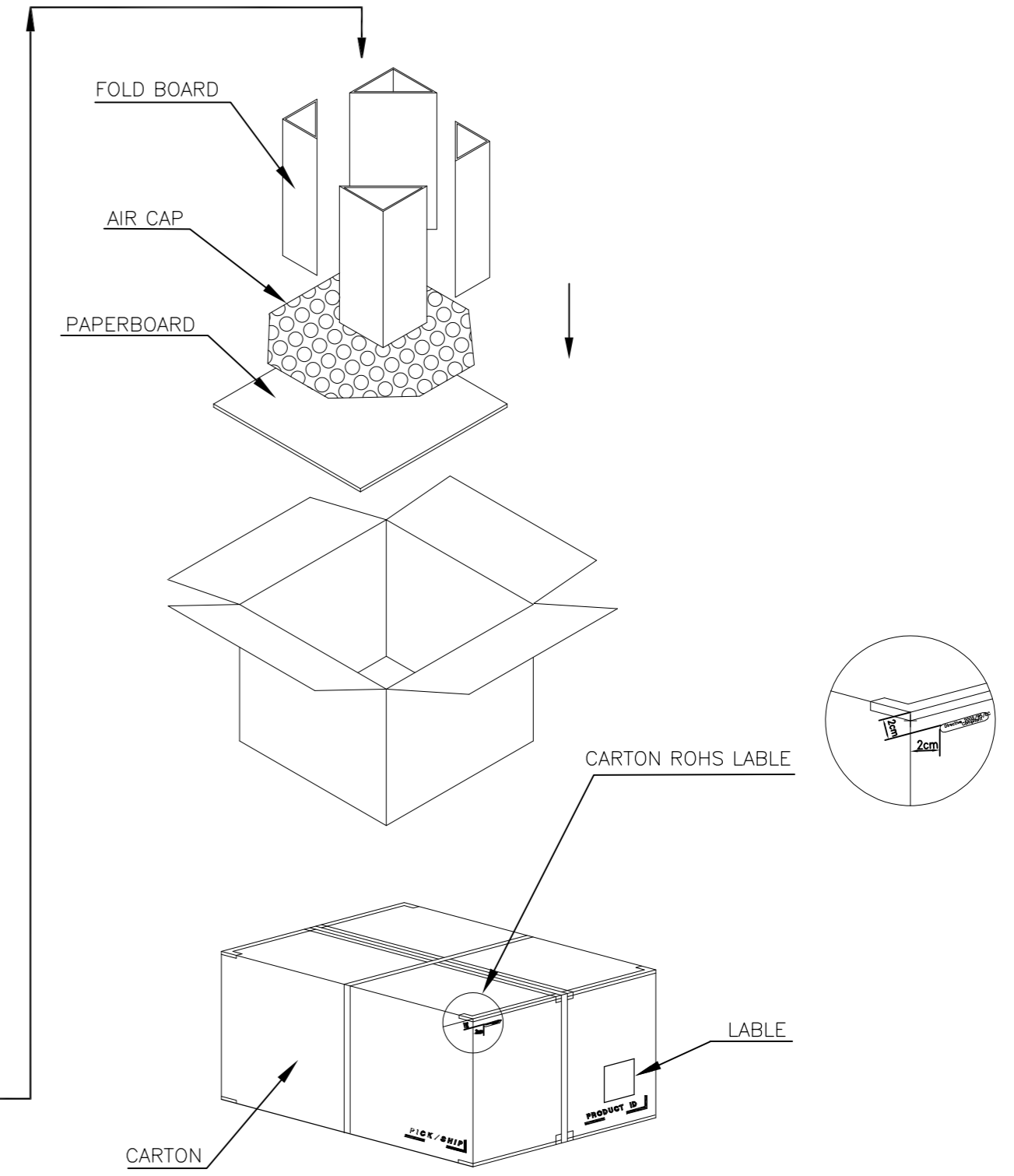
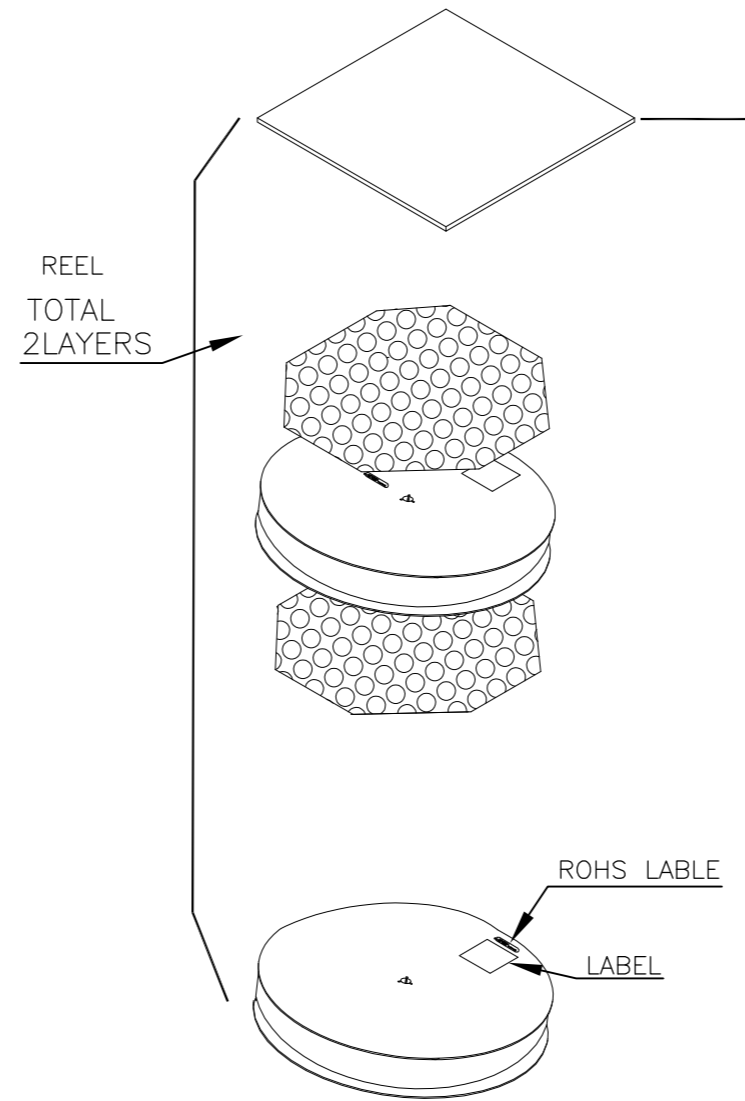
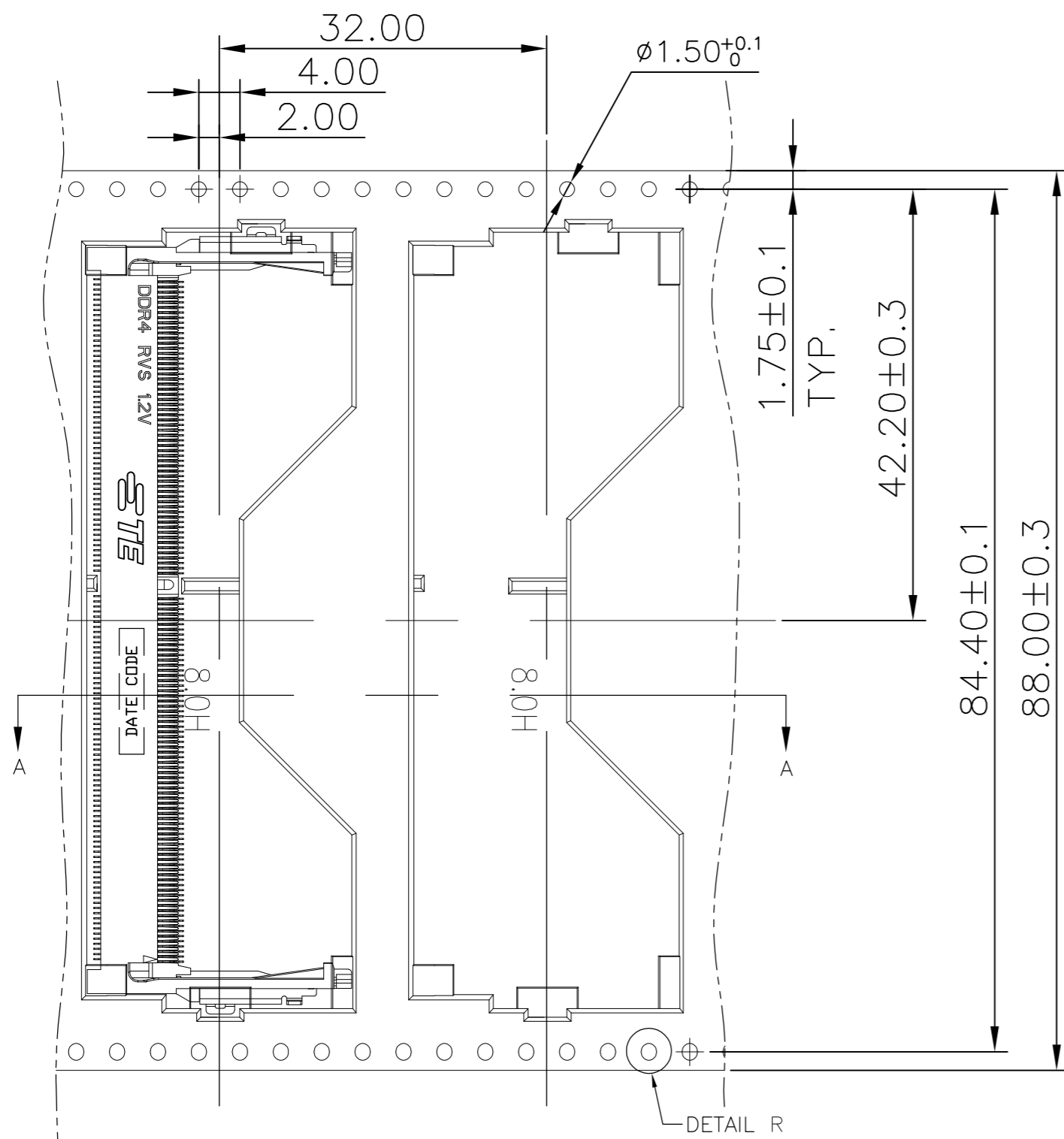
| | | | | | | |
|--|--|--------------------------|---------------------------|--------------------|----------------------|-----------------|
| THIS DRAWING IS A CONTROLLED DOCUMENT. | | DWN DAVID ZHAO 09SEP2016 | | TE Connectivity | | |
| DIMENSIONS: mm | | CHK RICHARD MA 09SEP2016 | | NAME | | |
| TOLERANCES UNLESS OTHERWISE SPECIFIED: | | APVD SIMON LI 09SEP2016 | | DDR4 SODIMM SOCKET | | |
| 0 PLC ± | | PRODUCT SPEC | | 0.5mm PITCH 260POS | | |
| 1 PLC ± - | | APPLICATION SPEC | 8.0mm HEIGHT REVERSE TYPE | | | |
| 2 PLC ± - | | WEIGHT | SIZE A2 | CAGE CODE 00779 | DRAWING NO C=2309412 | RESTRICTED TO - |
| 3 PLC ± - | | CUSTOMER DRAWING | SCALE 1:1 | SHEET 2 OF 3 | REV 3 | |
| 4 PLC ± - | | | | | | |
| ANGLES ± - | | | | | | |
| FINISH | | | | | | |

THIS DRAWING IS UNPUBLISHED. RELEASED FOR PUBLICATION
 © COPYRIGHT 2016 By TE connectivity ALL RIGHTS RESERVED.

| REVISIONS | | | | | |
|-----------|-----|-------------|------|-----|------|
| P | LTR | DESCRIPTION | DATE | DWN | APVD |
| - | - | | - | - | - |



PULL OUT DIRECTION →



| | | | |
|-----------|--------------|-------------|-------------|
| 250 | 2 | 500 | *-2309412-* |
| PCS/ REEL | REEL/ CARTON | PCS/ CARTON | PART NUMBER |

| | | | | |
|--|--|---|-----------------|--|
| THIS DRAWING IS A CONTROLLED DOCUMENT. | | DWN DAVID ZHAO 09SEP2016 | TE Connectivity | |
| DIMENSIONS: mm | | CHK RICHARD MA 09SEP2016 | NAME | |
| TOLERANCES UNLESS OTHERWISE SPECIFIED | | APVD SIMON LI 09SEP2016 | PRODUCT SPEC | |
| 0 PLC ± | | APPLICATION SPEC | | |
| 1 PLC ± - | | WEIGHT | | |
| 2 PLC ± - | | CUSTOMER DRAWING | | |
| 3 PLC ± - | | SIZE A2 CAGE CODE 00779 DRAWING NO. C=2309412 | | |
| 4 PLC ± - | | SCALE 1:1 SHEET 3 OF 3 REV 3 | | |
| ANGLES ± - | | RESTRICTED TO | | |
| FINISH ± - | | | | |

DDR4 SODIMM SOCKET
 0.5mm PITCH 260POS
 8.0mm HEIGHT REVERSE TYPE