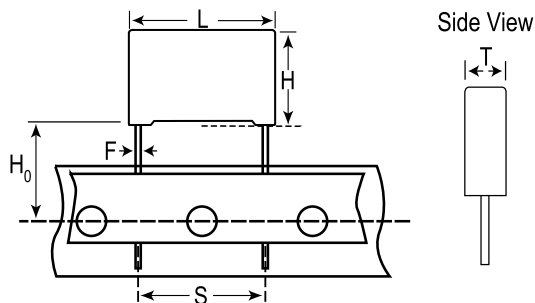


R46_310, Film, Metallized Polypropylene, Safety, 0.068 uF, 10%, 310 VAC (X2), 630 VDC, 110C, Lead Spacing = 10mm



General Information	
Supplier:	KEMET
Series:	R46_310
Dielectric:	Metallized Polypropylene
Style:	Radial
Features:	EMI Safety
RoHS:	Yes
Lead:	Wire Leads
Qualifications:	ENEC, UL, cUL, CQC
AEC-Q200:	No

Dimensions	
L	13mm +0.2mm
H	12mm +0.1mm
T	6mm +0.2mm
S	10mm +0.6/-0.1mm
H0	18.5mm +/-0.5mm
F	0.6mm +/-0.05mm

Specifications	
Capacitance:	0.068 uF
Capacitance Tolerance:	10%
Voltage AC:	310 VAC (X2)
Voltage DC:	630 VDC
Temperature Range:	-40/+110C
Rated Temperature:	110C
Dissipation Factor:	0.1% 1kHz
Insulation Resistance:	100 GOhms
Max dV/dt:	500 V/us
Safety Class:	X2

Packaging Specifications	
Packaging:	Ammo, 360x340x59mm, Box
Packaging Quantity:	680