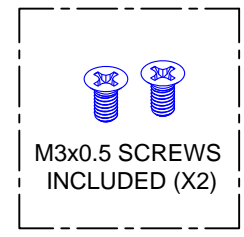
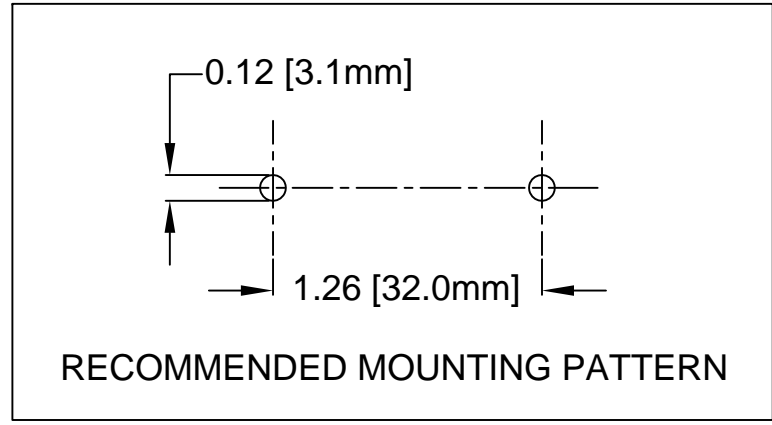
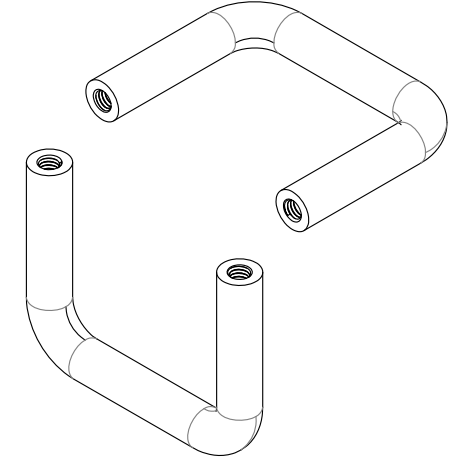
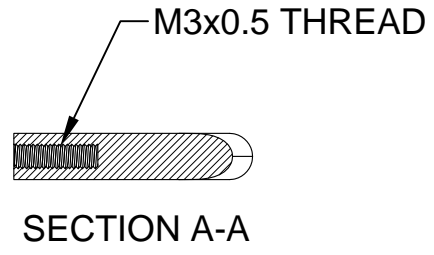
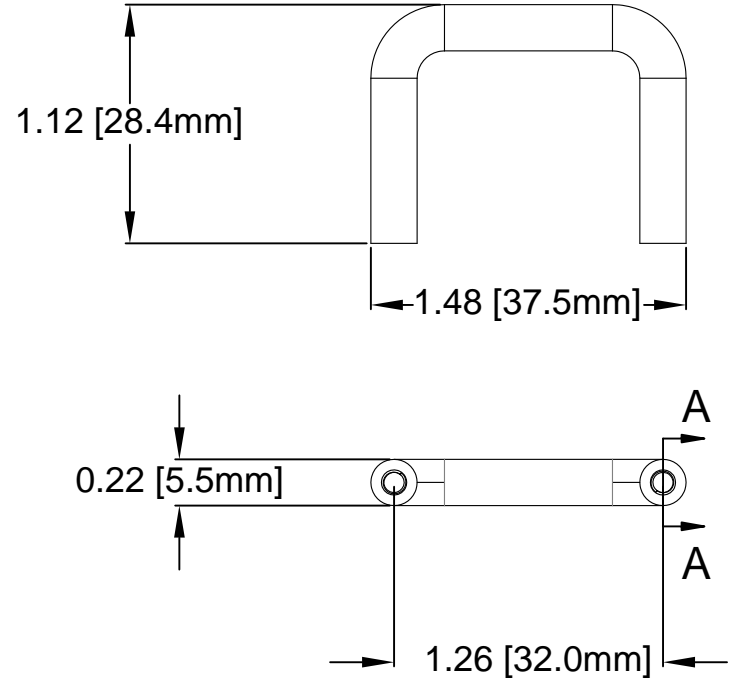




REV.	DESCRIPTION	DATE	APPROVED
A	Engineering Release	08/13/14	J. C.
B	Engineering Update w/o Changes	05/21/16	J. C.



NOTES:

- 2. MOUNTING HARDWARE SHIPPED UNASSEMBLED
- 1. MATERIALS: HANDLE, UL94V-0, POLYCARBONATE AND ABS / BRASS INSERT

STANDARD TOLERANCE (UNLESS OTHERWISE SPECIFIED)		 4 THOMAS, IRVINE, CA. 92618 TEL: (949) 951-8808 FAX: (949) 951-3974	
DECIMALS	ANGULAR		
.X ± .1	X° ± 1°	 TITLE: MOLDED HANDLE, BRASS INSERT, SMALL	REVISION: B
.XX ± .02			
.XXX ± .010		DESIGNED: A. Wright	DATE: 08/13/14
		CHECKED: B. Oliver	DATE: 08/13/14
		PART NO: SRH-1RUMB	SHEET # 1 OF 1
CAGE CODE : 32559			
CAD GENERATED DOCUMENT. DO NOT MEASURE DRAWING.			