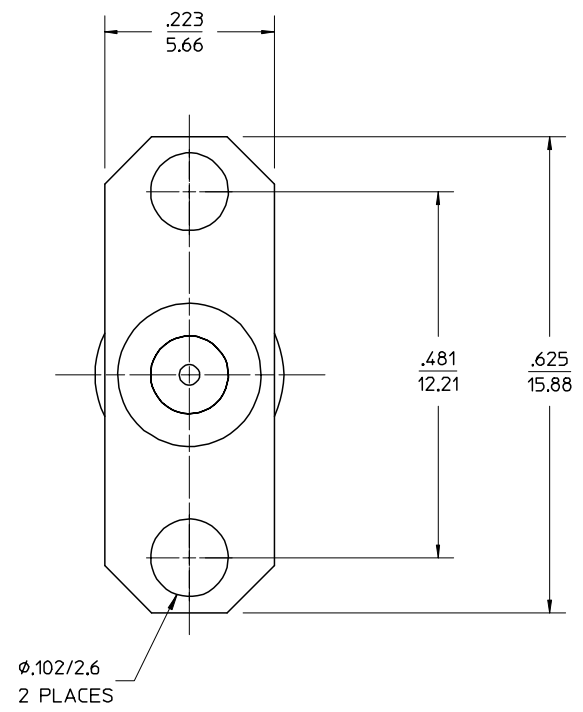
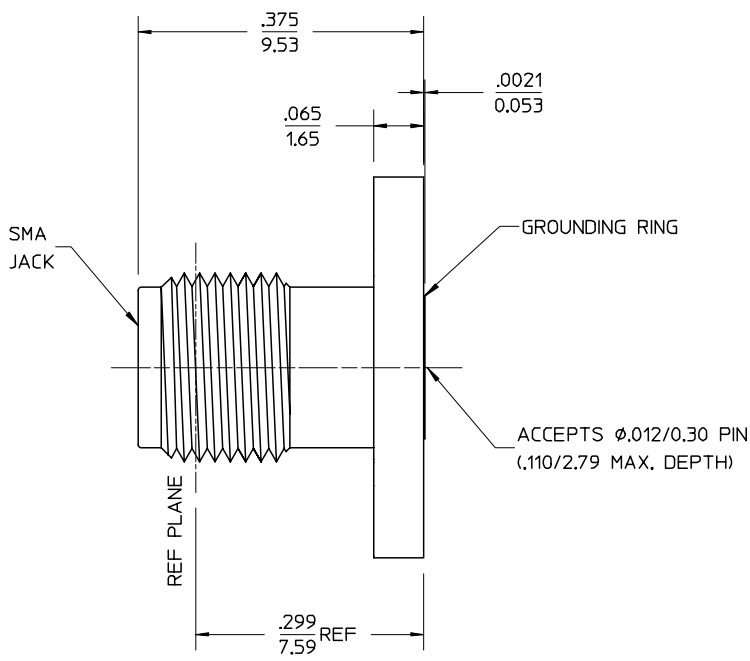


MATERIALS AND FINISHES:
 BODY STAINLESS STEEL
 PASSIVATED

 CENTER CONTACT BERYLLIUM COPPER
 PLATED GOLD

 INSULATOR TEFLON



PART # 73251-0200

MIL-STD-348, FIGURE 310-2	INTERFACE
PS-89675-2910	ELECTRO/MECH PERFORMANCE
SPECIFICATION	DESCRIPTION

CHG: NEW RELEASE	EC NO. URF-0223	DESCRIPTION	UNLESS OTHERWISE SPECIFIED DIMS ARE INCHES AND ANGLES ARE DEGREES. 1. ✓ 63 ALL OVER. 2. NO CHATTER OR NON-UNIFORM SURFACE FINISH ALLOWED. 3. PARTS TO BE FREE OF BURRS & SHARP EDGES .005 MAX BREAK, & EXTERNAL THREADS TO BE ROLLED OR SINGLE POINT. 4. EXTERNAL THREADS TO BE ROLLED OR SINGLE POINT. 5. DIAMETERS TO BE CONCENTRIC WITHIN .003 TIR.
	DRWN: TEF 06/21/99		
	CHK: DHG 06/21/99		
	APPR: GMH 06/21/99		

UNLESS OTHERWISE SPECIFIED DIMS ARE INCHES AND ANGLES ARE DEGREES.
 1. ✓ 63 ALL OVER.
 2. NO CHATTER OR NON-UNIFORM SURFACE FINISH ALLOWED.
 3. PARTS TO BE FREE OF BURRS & SHARP EDGES .005 MAX BREAK, & EXTERNAL THREADS TO BE ROLLED OR SINGLE POINT.
 4. EXTERNAL THREADS TO BE ROLLED OR SINGLE POINT.
 5. DIAMETERS TO BE CONCENTRIC WITHIN .003 TIR.

QUALITY SYMBOLS
MAJOR
CRITICAL

GENERAL TOLERANCES: (UNLESS SPECIFIED)	SCALE	DESIGN UNITS
4 PLACES ± .0005	—	mm <input type="checkbox"/> INCH <input checked="" type="checkbox"/>
3 PLACES ± .005		
2 PLACES ± .01		
1 PLACE ± .1		
ANGULAR: ± 1/2°		
DRAFT WHERE APPLICABLE MUST REMAIN WITHIN DIMENSIONS		

THIRD ANGLE PROJECTION	DRAWN BY & DATE
<input type="checkbox"/> mm INCH <input checked="" type="checkbox"/> INCH mm <input type="checkbox"/> mm ONLY	EDC 12/10/97
	CHECKED BY & DATE
	DHG 01/09/98
	APPROVED BY & DATE
	GMH 01/09/98
	CAD FILENAME

TITLE: SMA JACK, RECEPTACLE, 2 HOLE FLANGE MOUNT, ACCEPTS .012 DIA PIN SMA-JR/F		SHT		REV	
MOLEX MOLEX INCORPORATED		MATERIAL NO. SEE NOTE		DRAWING NO. SD-73251-020	
THIS DRAWING CONTAINS INFORMATION THAT IS PROPRIETARY TO MOLEX INCORPORATED AND SHOULD NOT BE USED WITHOUT WRITTEN PERMISSION.		SHEET NO. 1 of 1		SIZE B	