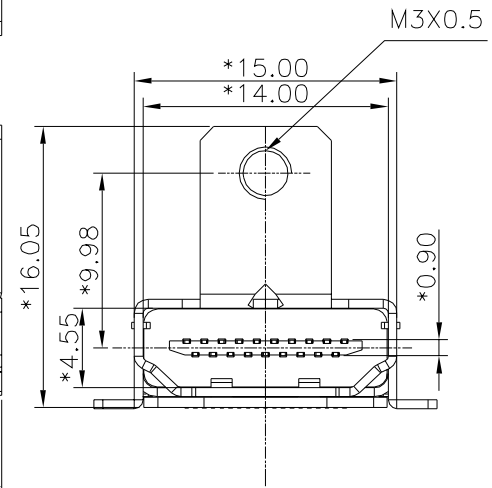
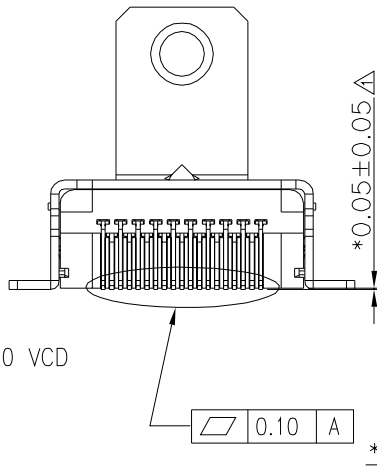
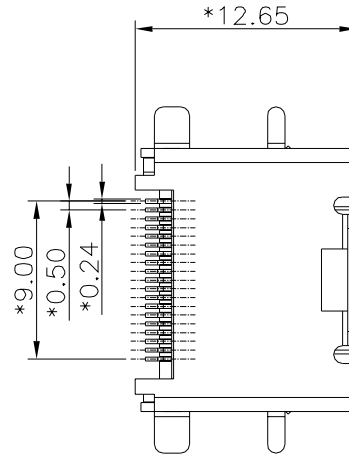


PC Board Layout T=1.6mm
Component Side Shown Tolerance±0.05mm



NOTES:

ELECTRICAL

1. VOLTAGE RATING : 30 VDC RMS
2. CURRENT RATING :0.5AMP MAX PER CONTACT
3. CONTACT RESISTANCE : 30 MILLIOHMS MAX.
4. INSULATION RESISTANCE : 1000 MEGOHMS MIN @ 500 VDC
5. WITHSTANDING VOLTAGE : 500 VAC RMS 60Hz , 1MIN
6. OPERATING : 10000 CYCLES MIN

MECHANICAL :

1. HOUSING MATERIAL : NYLON
2. CONTACT MATERIAL : PHOSPHOR BRONZE 0.20mm THICKNESS
3. PLATING : 30u" GOLD PLATING OVER NICKEL
4. SHIELD MATERIAL : COPPER ALLOY 0.50mm THICKNESS
5. PLATING : NICKLE PLATING.

ENVIRONMENTAL:

1. STORAGE TEMPERATURE : -40°C TO +85°C
2. OPERATION TEMPERATURE : -40°C TO +85°C
3. WAVE SOLDERING TEMPERATURE: 255~265°C (5~10 SECONDS).
4. RoHS COMPLIANT.

PART NUMBER
E810K-SAY104-L

DETACHED LISTS	MM (INCH)	RoHS Compliant	Pulse A TECHNITROL COMPANY	
	TOLERANCES EXCEPT AS NOTED	TITLE	HDMI JACK(WITH SCREW)	
	.0 ± 0.2 ±	DFTO Cathy	DRAWING NO. CE813029-LA	SIZE REV
	.00 ± 0.15 ±	DATE 2006/09/07	/PART NO. SEE TABLE	A3 O
	.000 ± 0.075 ±	SCALE :	DO NOT SCALE DRAWING	SHEET 1 OF 1
	ANGLES ± 0.5			
	THIRD ANGLE PROJECTION			