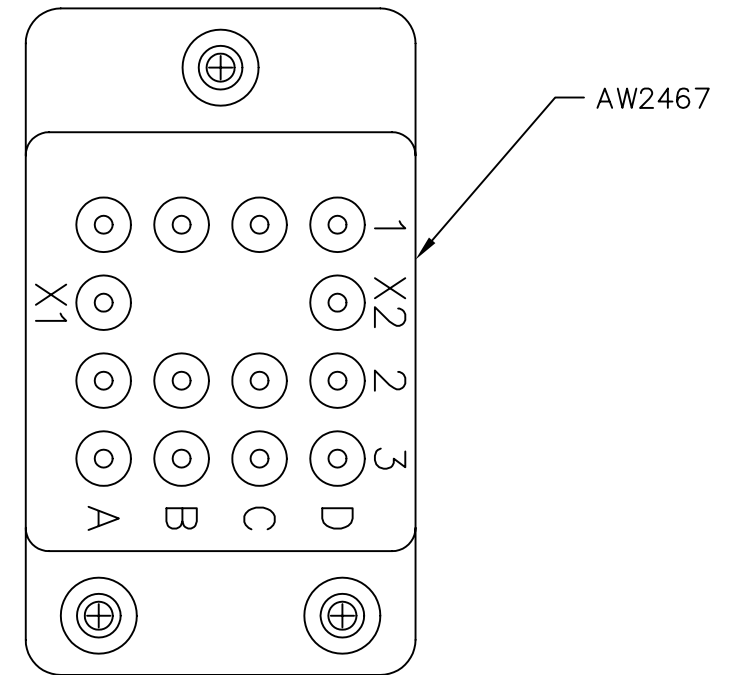
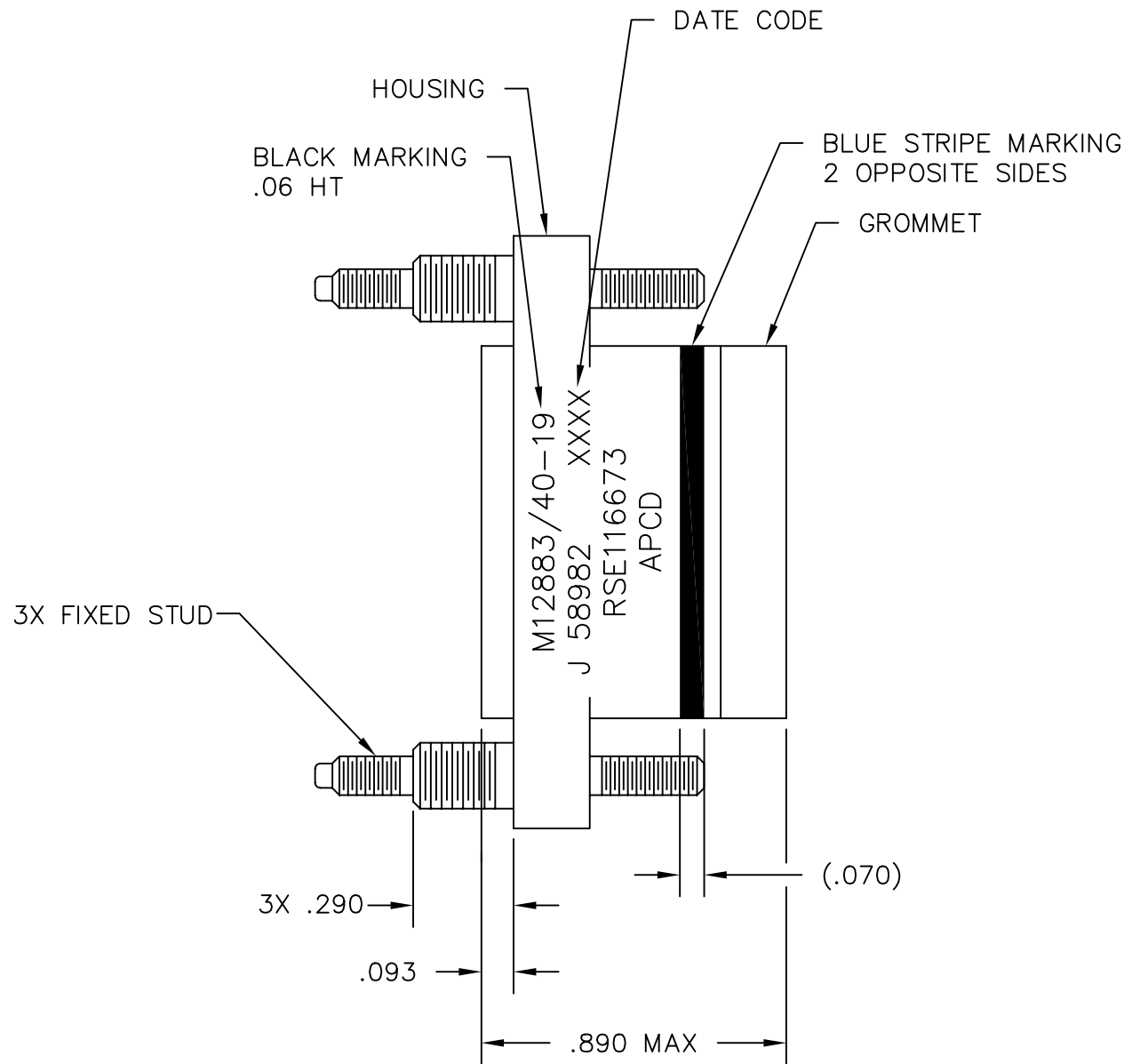
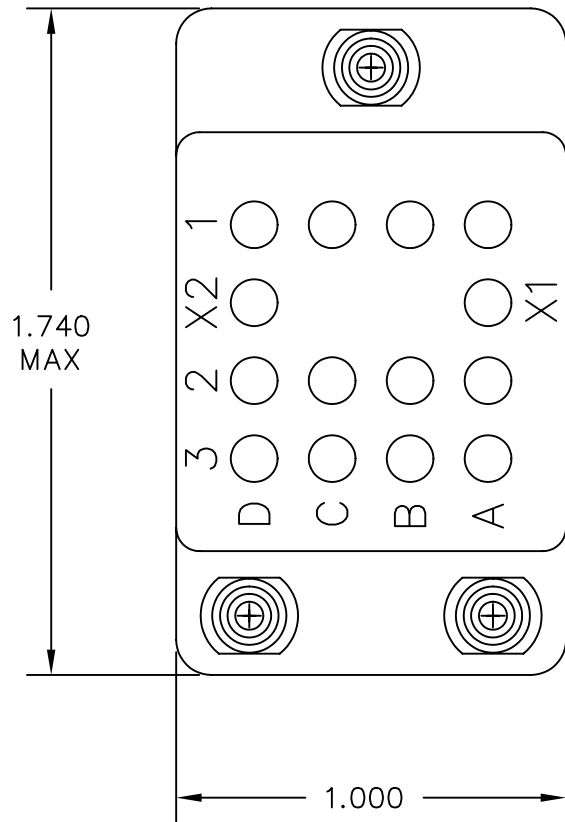


| REV | ECN | DESCRIPTION | APP'D |
|-----|------|------------------------------------|------------|
| J | 2413 | UPDATE FORMAT; ADD "J" DESIGNATION | JR 5/02/95 |
| K | 5754 | NEW SILK SCREEN ARTWORK | |



| PART NO. | CONTACTS SUPPLIED | MARKING |
|-----------|-------------------|-----------|
| RSE116672 | NONE | RSE116673 |
| RSE116673 | (14) SIZE 16/16 | |

| DIMENSIONS | TOLERANCES | PROJECTION | TITLE | | |
|---|---|------------|---|----------------------|--------------|
| ANSI Y14.5M UNITS: INCHES ACAD FILE | .XX ±.01 .XXX ±.005 ANGLES ±2° | | Amphenol Pcd RELAY SOCKET 14 POS - SIZE 16 | | |
| ORIGINAL NOT FOR CUSTOMER DISTRIBUTION | THIS DOCUMENT CONTAINS PROPRIETARY INFORMATION WHICH IS THE CONFIDENTIAL PROPERTY OF AMPHENOL PCD INC. PEABODY, MA | | | | |
| | | | ENGR M. CALLA 5/16/91 | SIZE B | REV K |
| | | | CHKD M. CALLA 5/16/91 | DWG NO. RSE116672 | |
| | | | APPD D. SWAFFIELD 6/14/91 | CODE: 58982 | SHEET 1 OF 1 |
| | | | | SCALE: 2X | |

RSE116672

RSE116672