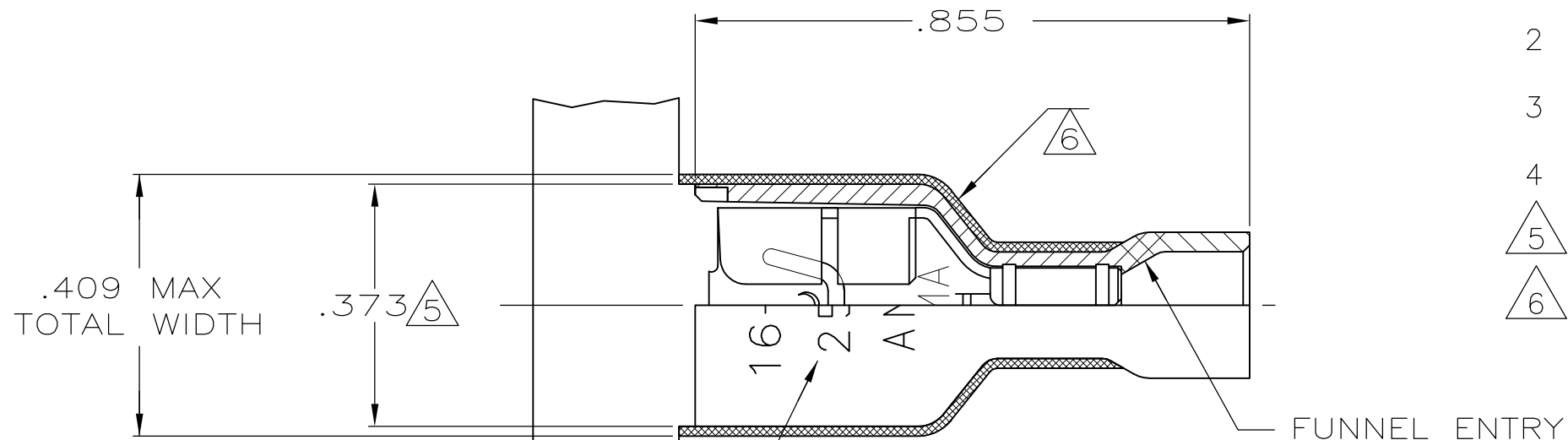


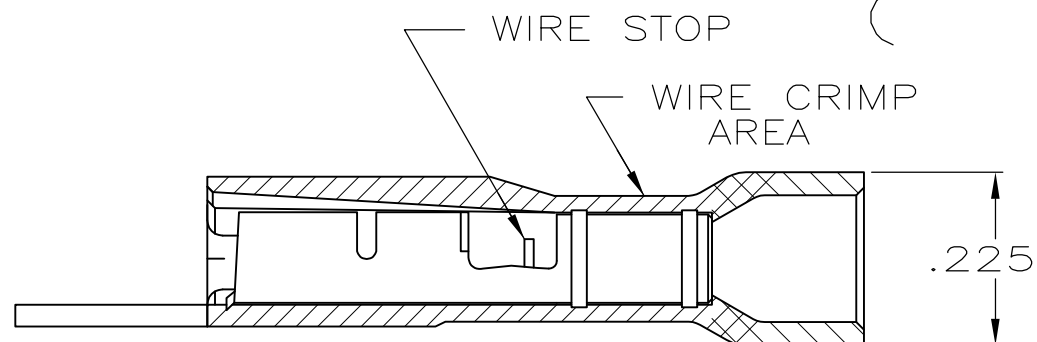
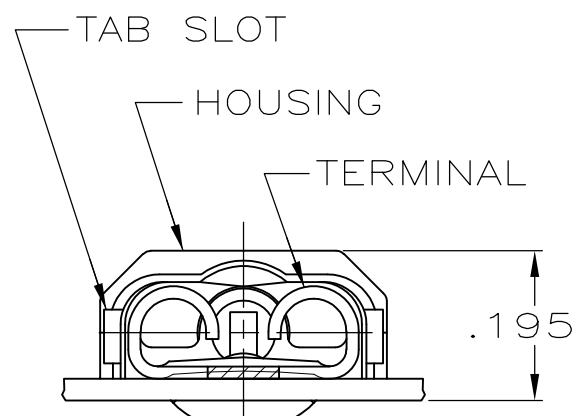
THIS DRAWING IS UNPUBLISHED. RELEASED FOR PUBLICATION

© COPYRIGHT - By - ALL RIGHTS RESERVED.

LOC	DIST	REVISIONS					
AF	50	P	LTR	DESCRIPTION	DATE	DWN	APVD
			K	REVISED PER ECR-12-005303	23JUL12	KH	KR



- 1 MATES WITH .032±.001x.250 TAB
- 2 WIRE STRIP LENGTH .281
- 3 INSULATION SIZE .090-.160 DIA
- 4 CONTINUOUS STRIP ON REELS
- 5 DIMENSION DOES NOT INCLUDE TRIM BURR
- 6 .015 MAX CARRIER TRIM BURR PER SIDE IS ALLOWABLE IN THE SHADED AREA



WIRE AND RECEPTACLE SIZE IDENTIFICATION { 16-14 250 AMP

HOUSING: NYLON, COLOR-BLUE TRANSLUCENT  
 RECEPTACLE: #3 HARD BRASS TIN

3-520406-2

MATERIAL & FINISH

PART NO

THIS DRAWING IS A CONTROLLED DOCUMENT.		DWN	P FORTNEY	10/27/88	<b>TE Connectivity</b>						
DIMENSIONS: INCHES		CHK	MS FEHER	11/3/88				NAME RECEPTACLE ASSY, ULTRA-FAST PLUS, .250 SERIES, 16-14 AWG			
TOLERANCES UNLESS OTHERWISE SPECIFIED:		APVD	K RANDOLPH	11/14/88							PRODUCT SPEC 108-2044 APPLICATION SPEC 114-2123
0 PLC ± - 1 PLC ± - 2 PLC ± - 3 PLC ± .015 4 PLC ± - ANGLES ± -		MATERIAL		FINISH				SIZE A3			
SEE TABLE		SEE TABLE		CUSTOMER DRAWING		CAGE CODE 00779		DRAWING NO C-520406		RESTRICTED TO -	
						SCALE 4:1		SHEET 1 OF 1		REV K	