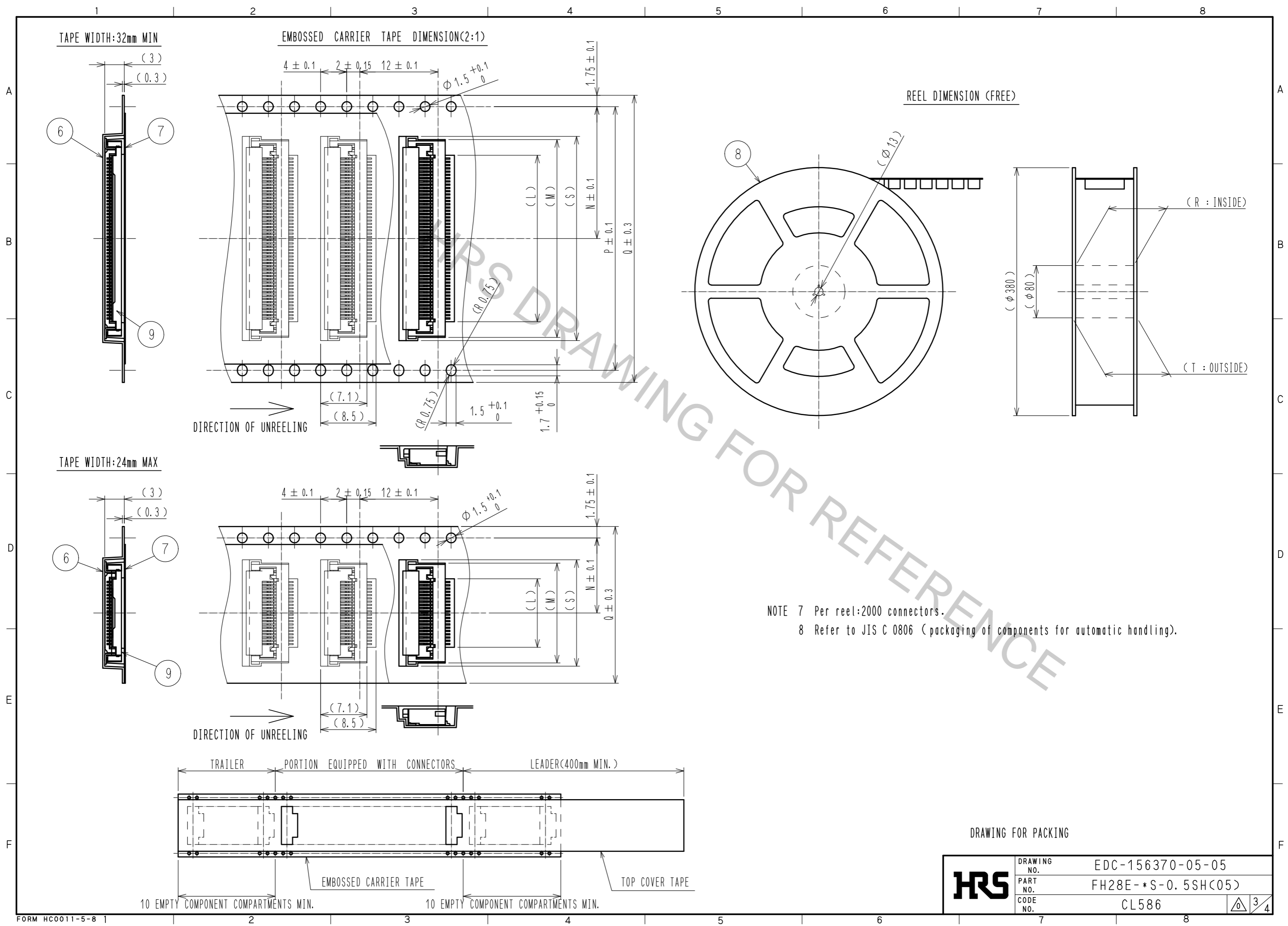


- NOTES
- 1 Lead CO-PLANARITY including reinforced metal fittings shall be 0.1 MAX.
  - 2 Dimension: from reference b.
  - 3 Indicates notches or holes to prevent sink marks. The design and the location are discretionary, depending on the number of contacts.
  4. This product satisfies halogen free requirements defined as 900ppm maximum chlorine, 900ppm maximum bromine, and 1500ppm maximum total of chlorine and bromine.
  5. 'n' represents the number of contacts.
  6. The dimensions in parentheses are for reference.

5	BRASS	TIN PLATING 1#mMIN OVER NICKEL 1#mMIN							
4	BRASS	TIN PLATING 1#mMIN OVER NICKEL 1#mMIN	9	(CONNECTOR)					
3	PHOSPHOR BRONZE	GOLD PLATING 0.05#mMIN OVER NICKEL 1#mMIN	8	POLYSTYRENE					
2	LCP	(BLACK)	UL94V-0	7	POLYESTER				
1	LCP	(GRAY)	UL94V-0	6	POLYSTYRENE				
NO.	MATERIAL	FINISH .	REMARKS	NO.	MATERIAL	FINISH .	REMARKS		
UNITS	mm	SCALE	5 : 1	COUNT	DESCRIPTION OF REVISIONS	DESIGNED	CHECKED	DATE	
APPROVED		: NF. MIYAZAKI		15. 10. 17		DRAWING NO.		EDC-156370-05-05	
CHECKED		: HS. SAKAMOTO		15. 10. 17		PART NO.		FH28E-*S-0.5SH(C05)	
DESIGNED		: RT. IKEDA		15. 10. 17		CODE NO.		CL586	
DRAWN		: RN. IIDA		15. 10. 15					





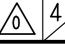
NOTE 7 Per reel:2000 connectors.  
 8 Refer to JIS C 0806 (packaging of components for automatic handling).

DRAWING FOR PACKING

<b>HRS</b>	DRAWING NO.	EDC-156370-05-05
	PART NO.	FH28E-*S-0.5SH<05>
	CODE NO.	CL586
		3/4

PART NO.	CODE NO.	Number of contact	DIMENSION TABLE OF CONNECTOR, FPC, FFC, LAND PATTERN AND STENCIL PATTERN										DIMENSION TABLE OF DRAWING FOR PACKING							
			A	B	C	D	E	F	G	H	J	K	L	M	N	P	Q	R	T	S
FH28E-20S-0.5SH(05)	CL580-1822-2-05	20	9.5	14.9	10.57	11.15	12.35	15.7	10.5	12.1	16.7	12	10.5	15.3	11.5	-	24	25.4	29.4	16.3
FH28E-30S-0.5SH(05)	CL580-1833-9-05	30	14.5	19.9	15.57	16.15	17.35	20.7	15.5	17.1	21.7	17	15.5	20.3	14.2	28.4	32	33.4	37.4	21.3
⑨ FH28E-40S-0.5SH(07)	CL580-1814-4-07	40	19.5	24.9	20.57	21.15	22.35	25.7	20.5	22.1	26.7	22	20.5	25.3	20.2	40.4	44	45.4	49.4	26.3
FH28E-50S-0.5SH(05)	CL580-1815-7-05	50	24.5	29.9	25.57	26.15	27.35	30.7	25.5	27.1	31.7	27	25.5	30.3	20.2	40.4	44	45.4	49.4	31.3
FH28E-60S-0.5SH(05)	CL580-1834-1-05	60	29.5	34.9	30.57	31.15	32.35	35.7	30.5	32.1	36.7	32	30.5	35.3	26.2	52.4	56	57.4	61.4	36.3
FH28E-68S-0.5SH(05)	CL580-1841-7-05	68	33.5	38.9	34.57	35.15	36.35	39.7	34.5	36.1	40.7	36	34.5	39.3	26.2	52.4	56	57.4	61.4	40.3

⑨ : The specification of (07) is applied to FH28E-40S-0.5SH.

<b>HRS</b>	DRAWING NO.	EDC-156370-05-05
	PART NO.	FH28E-*S-0.5SH(05)
	CODE NO.	CL586
	 4/4	