

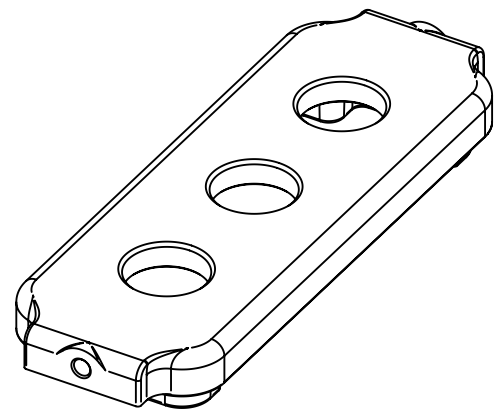
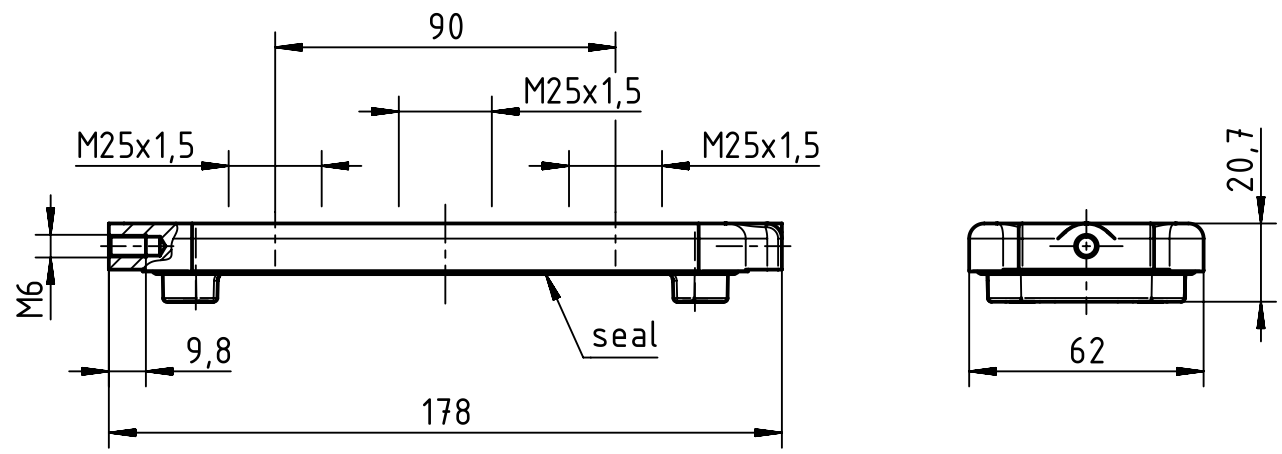
1 2 3 4 5 6


A

B

C

D



	All rights reserved Department EL PD - DE	Created by HOLLERT		Inspected by SCHLEGEL		Standardisation TIEMANNA		Date 2014-03-27		State Final Release	
		Title Han 24 HPR EasyCon Cover 3XM25								Doc-Key / ECM-Nr. 100196805/UGD/004/B 500000072931	
HARTING Electric GmbH & Co. KG D-32339 Espelkamp		Type TB		Number 19 40 024 9901				Rev. B		Page 1/1	