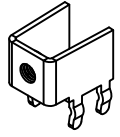
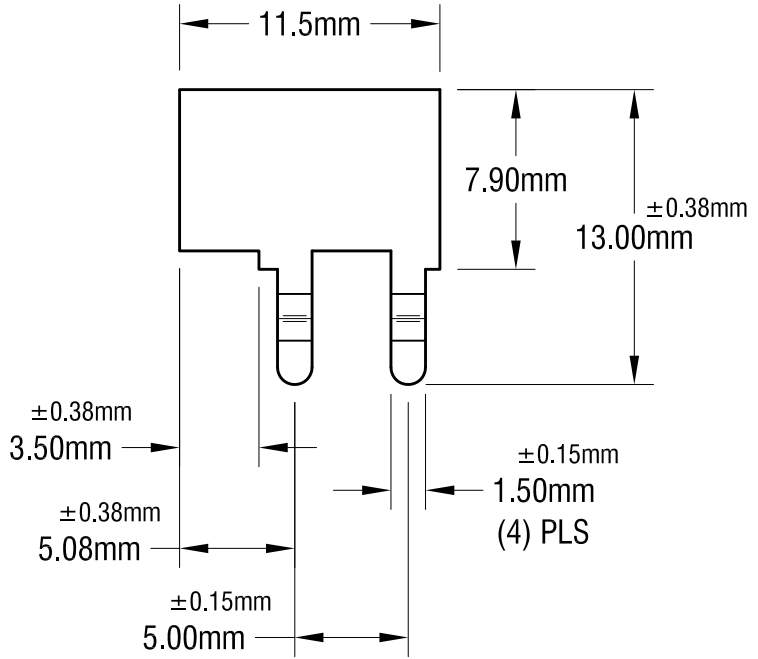
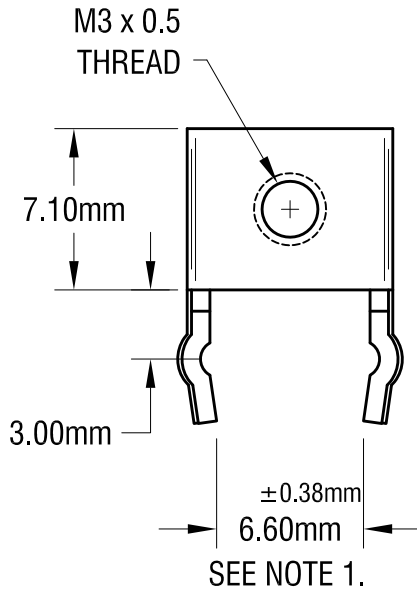
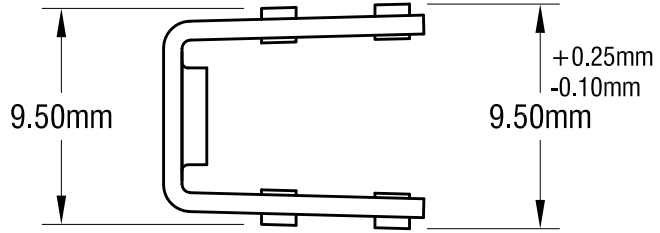
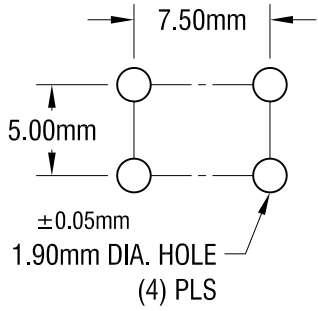


THIS DOCUMENT IS THE PROPERTY OF KEYSTONE ELECTRONICS CORP. AND SHALL NOT BE REPRODUCED, DISTRIBUTED OR USED AS A BASIS FOR MANUFACTURE WITHOUT PRIOR WRITTEN PERMISSION FROM KEYSTONE ELECTRONICS CORP.



MOUNTING DETAIL



NOTE:

1. ALL DIMENSIONS ARE IN MILLIMETERS.

1.14.16	CHANGE AS PER ECN 16-003	D
7.14.09	CHANGE AS PER ECN 09-101	C
2.1.08	CHANGE AS PER ECN 08-070	B
DATE	DESCRIPTION	REV.

KEYSTONE ELECTRONICS CORP.			
www.keyelco.com • ASTORIA, N.Y. 11105-2017 • Tel (718) 956-8900			
PART NAME			
PC METRIC SCREW TERMINAL			
MATERIAL			
0.8mm TH'K BRASS			
FINISH		DRN BY	DATE
MATTE TIN PLATE		BOONE	9.27.01
		APP'D	SCALE
		LN	3X
TOLERANCES	INCH [MM]	CODE	DWG NO.
DECIMAL	± [± 0.25]	C	7790
ANGULAR	± 1°		
UNLESS OTHERWISE SPECIFIED			