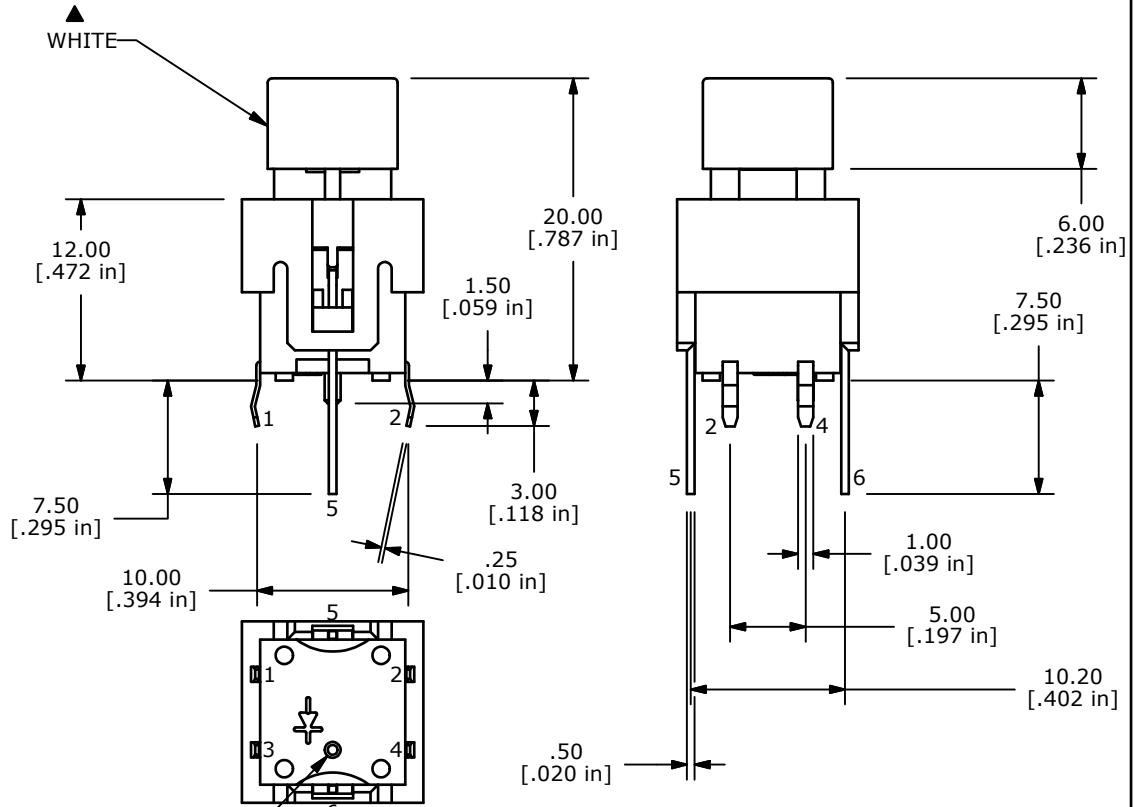


NOTES:

1. ALL DIMENSIONS IN MM [INCH]
2. GENERAL TOLERANCE: X.X=±0.4
X.XX=±0.25
3. RATING: 20VDC @ 1mA
4. CONTACT RESISTANCE: 200Ω MAX.
5. INSULATION RESISTANCE: 100MΩ MIN. @ 100VDC.
- ▲ 6. OPERATING FORCE: 125± 35gf
7. TRAVEL: 1.3 +/- 0.3 mm
8. OPERATING TEMPERATURE: -20°C TO 70°C
9. OPERATING LIFE: 300,000 CYCLES
- ▲ 10. LED: BLUE
- ▲ 11. ▲ DENOTES CRITICAL PARAMETERS
12. 2002/95/EC (ROHS) COMPLIANT
13. CONTACT MATR'L: GOLD FLASH OVER NICKEL



LED SPECS	UNITS	BLUE	
FORWARD CURRENT	mA	20	
FORWARD VOLTAGE @20mA	V	3.50 TYP.	4.00 MAX.
LUMINOUS INTENSITY @ 20mA	mcd	700 MIN.	1500 TYP.

REV	PCR NO	DESCRIPTION	DATE	BY
C	20507	Added Note For Gold Flash Over Nickel	3/2/2012	MM
B	19590	UPDATE PCB LAYOUT	1/17/11	BGL
A	18656	New Release	9/14/09	rc

E-SWITCH™				
TITLE LP15S1WHTBLU-N				
SCALE	DATE	DR	DWG	REV
2 : 1	8/17/2009	rc	B270001	C

THE INFORMATION CONTAINED IN THIS DOCUMENT IS PROPRIETARY TO E-SWITCH AND IS NOT TO BE COPIED OR TRANSFERRED