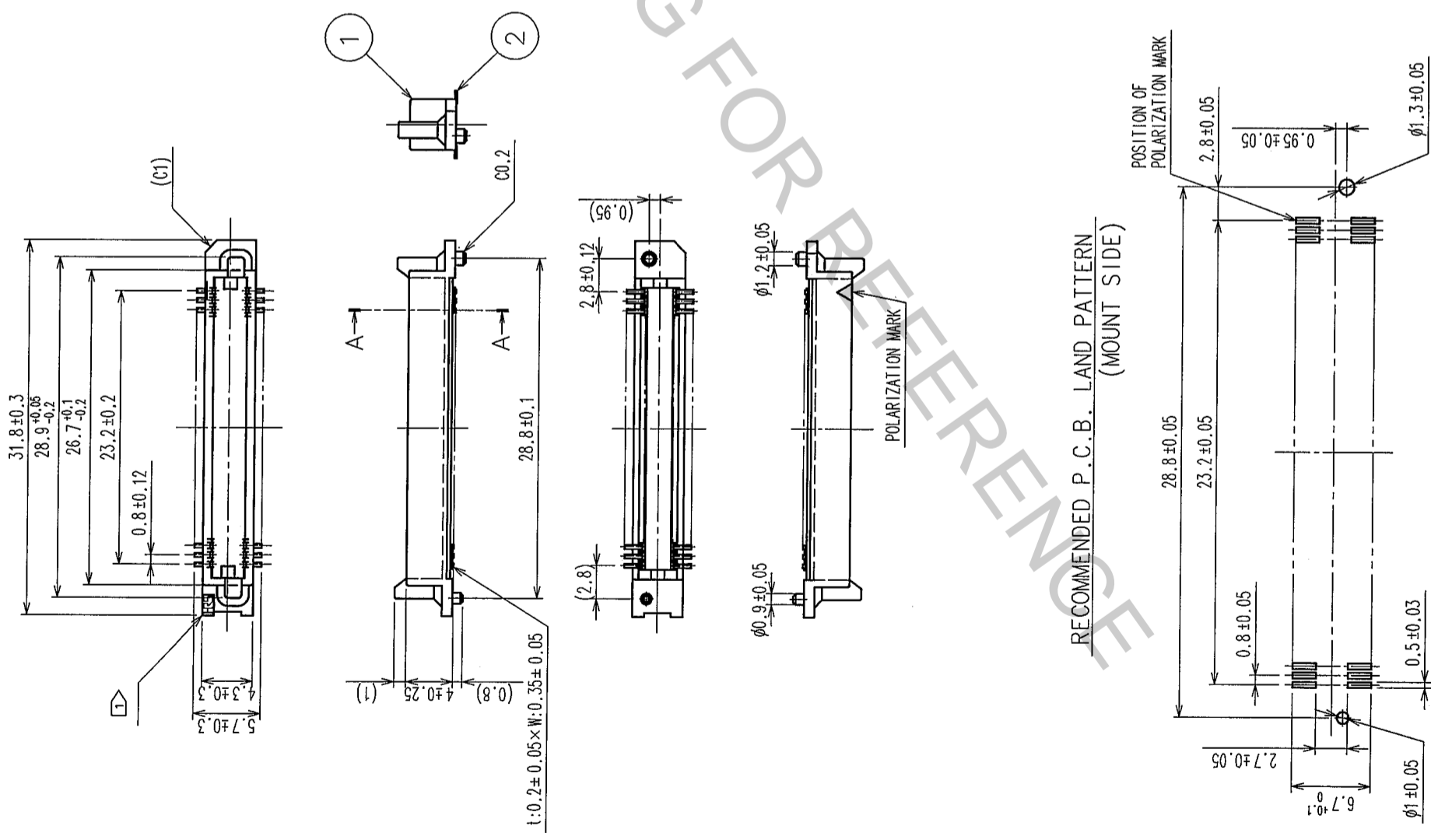


COUNT	DESCRIPTION OF REVISIONS	BY	CHKD	DATE	COUNT	DESCRIPTION OF REVISIONS	BY	CHKD	DATE
△					△				
△					△				
△					△				

AA(10:1)



- NOTE
- HRS MARK SHALL BE OPTIONAL.
 - LEAD CO-PLANARITY SHALL BE 0.1mm MAX.
 - THE DIMENSIONS IN PARENTHESES ARE FOR REFERENCE.
 - EMBOSSED CARRIER TAPE PACKAGING SHALL BE APPLIED FOR THIS PRODUCT.
 - FOR MODIFICATION, ETC, PREVENTIVE HOLE FOR SINK MARK MAY BE ADDED ACCORDING TO CIRCUMSTANCES.

NO.	MATERIAL	FINISH, REMARKS	NO.	MATERIAL	FINISH, REMARKS
1	POLYPHENYLENE SULFIDE	LIGHT BROWN	UL94V-0		
2	PHOSPHOR BRONZE				

CONTACT AREA	LEAD AREA	UNDER PLATING	FINISH, REMARKS
GOLD 0.1μm min.	GOLD PLATING FLASH	NICKEL 1.5μm min.	

DRAWN	DESIGNED	CHECKED	APPROVED	RELEASED
Y. AOYAGI	J. Noda	K. Ogawa	H. Kawano	
05.09.22	05.09.22	05.09.27	05.09.27	

DRAWING NO.	PART NO.
EDC3-084968-22	FX6-60P-0.8SV(92)

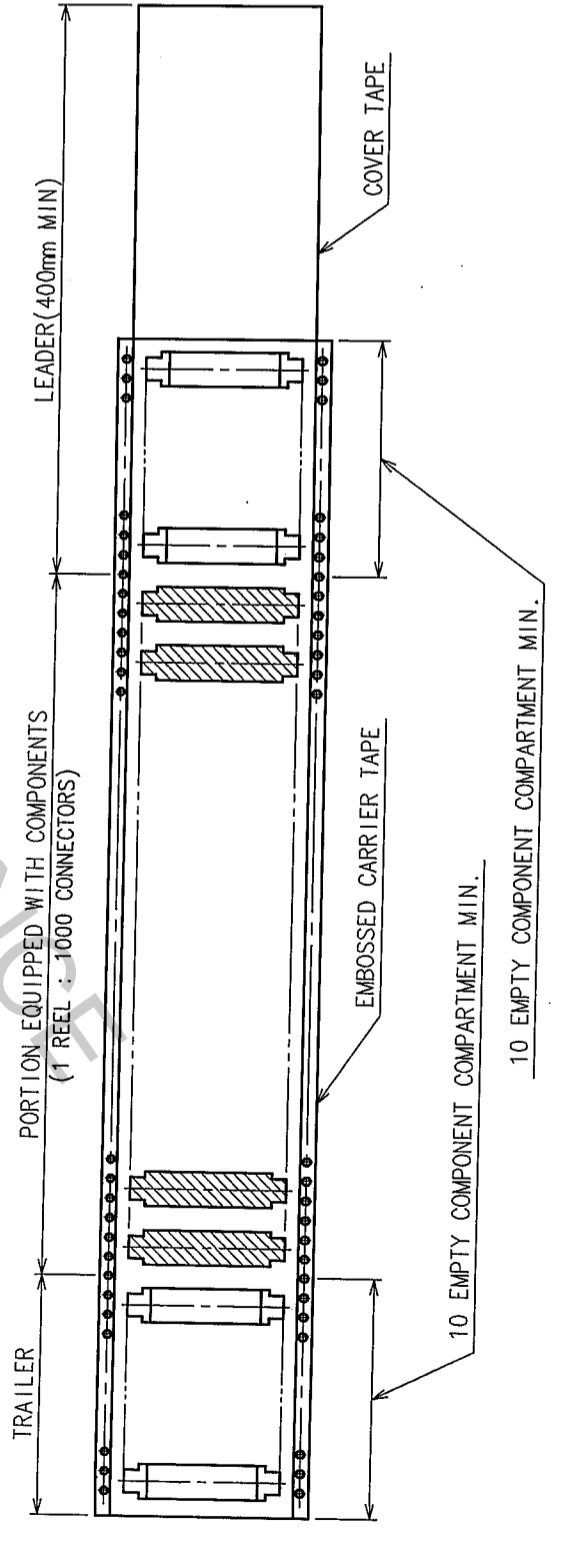
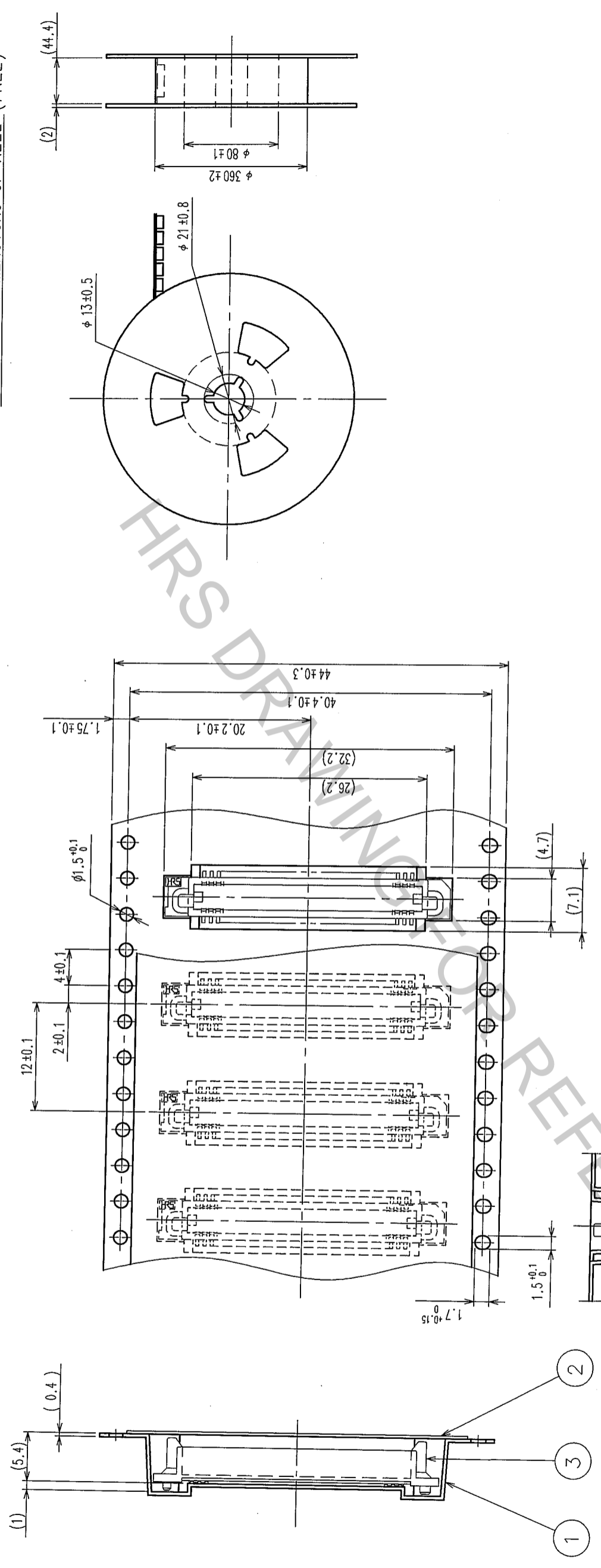
SCALE	UNITS
2:1	mm

CODE NO. (OLD)	CODE NO.
	CL576-0005-4-92

COUNT	DESCRIPTION OF REVISIONS	BY	CHKD	DATE	COUNT	DESCRIPTION OF REVISIONS	BY	CHKD	DATE
△					△				
△					△				
△					△				

↑
DIRECTION OF UNREELING

STYLE AND DIMENSIONS OF REEL (FREE)



NOTE 1 THE DIMENSIONS IN PARENTHESES ARE FOR REFERENCE.
2 1 REEL : 1000 CONNECTORS

NO.	MATERIAL	FINISH, REMARKS	NO.	MATERIAL	FINISH, REMARKS	DESIGNED	CHECKED	APPROVED	RELEASED
2	POLYESTER	COVER TAPE							
1	POLYSTYRENE	EMBOSSED CARRIER TAPE	3		(CONNECTOR)				

CODE NO. (OLD)	DRAWN	DESIGNED	CHECKED	APPROVED	RELEASED
	Y. AOYAGI '05.09.22	J. Noda '05.09.26	X. Ogyama '05.09.21	H. Okawa '05.09.27	

DRAWING NO.	PART NO.
EDC3-084968-22	FX6-60P-0.8SV (92)

SCALE	UNITS	CODE NO.
2 : 1	mm	CL576-0005-4-92

TO