

This document is the property of Amphenol Corporation and is delivered on the express condition that it is not to be disclosed, reproduced or used, in whole or in part, for manufacture or sale by anyone other than Amphenol Corporation without its prior consent, and that no right is granted to disclose or to use any information in this document.  
The marking on this product doesn't contain environmental hazardous materials per Material Specification SS-00259 for Sony GP compliant or per directive 2002/95/EC for RoHS compliant.



# CUSTOMER DRAWING ORIGINAL



REVISIONS				
SYM	ECN No.	DESCRIPTION	DATE	BY
A		RELEASE TO PRODUCTION	09/12/2007	Hank Hsu
B	NE-11077	ADD P/N SYSTEM	06/01/2011	Chenny Yeh
C	NE-11143	ADD MEET SATA 3.0 SPEC	10/06/2011	Chenny Yeh
D	NE-12154	ADD TAPE REEL PACKING DWG	08/17/2012	Chenny Yeh
E	NE-12157	MODIFIED SPROCKE HOLES	08/21/2012	Chenny Yeh

P/N SYSTEM:  
G09 1 2 X X 3 0 X X LF

**CONTACT FINISH:**

- 0: CONTACT:GOLD FLASH; SHELL:NICKEL PLATING
- 1: CONTACT:15u" GOLD; SHELL:TIN PLATING
- 2: CONTACT:30u" GOLD; SHELL:TIN PLATING
- 3: CONTACT:30u" GOLD; SHELL:NICKEL PLATING + GOLD FLASH
- 4: CONTACT:30u" GOLD; SHELL:NICKEL PLATING
- 5: CONTACT:15u" GOLD; SHELL:NICKEL PLATING
- 6: CONTACT:GOLD FLASH; SHELL:TIN PLATING
- 7: CONTACT:GOLD FLASH; SHELL:NICKEL PLATING + GOLD FLASH
- 8: CONTACT:15u" GOLD; SHELL:NICKEL PLATING + GOLD FLASH

**EXTENSION CODE:**

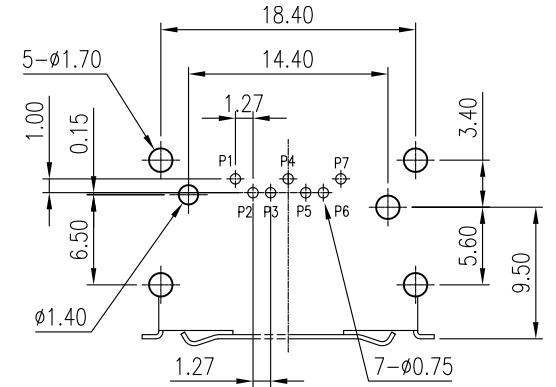
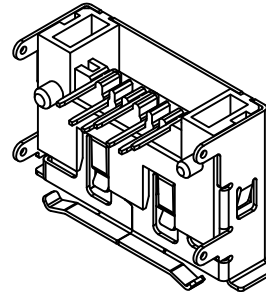
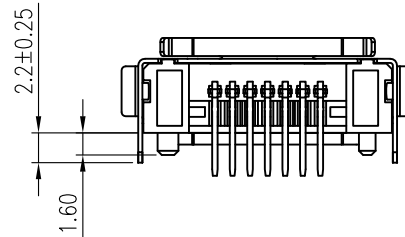
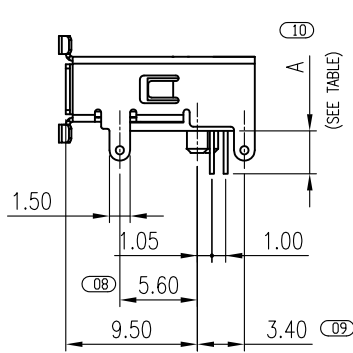
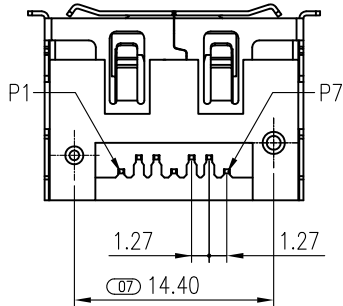
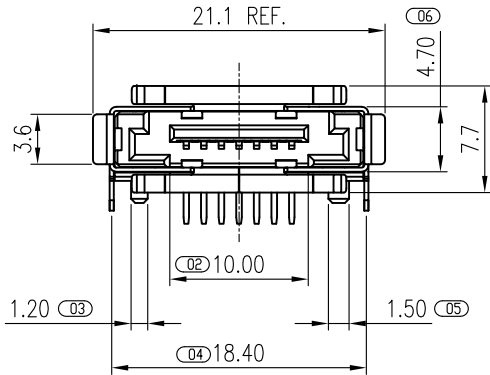
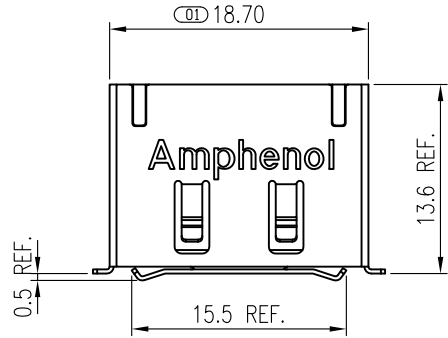
- BLANK: AMPHEMOL LOGO
- A: W/O LOGO

**PACKAGING CODE:**

- 0: TAPE AND REEL PACKING
- 1: TRAY PACKAGING
- 2: TUBE PACKAGING

**TERMINAL STYLE:**

- 2: DIP TYPE
- 8: DIP TYPE(FOR 1.30mm PCB)



**RECOMMENDED PCB LAYOUT (TOP VIEW)**  
(ALL TOLERANCE ARE ±0.05)

**NOTES:**

1. MATERIAL:  
HOUSING: HIGH TEMPERATURE THERMO PLASTIC UL94V-0  
TERMINAL: COPPER ALLOY  
SHELL: COPPER ALLOY
2. FINISH:  
TERMINAL:  
CONTACT AREA: SELECTIVE GOLD PL.  
SOLDERING AREA: MATT TIN PL. 100 μ" THK MIN.  
UNDER PL.: NICKEL PL. 50 μ" THK MIN.  
SHELL:  
NICKEL PLATED
3. THIS PRODUCT DOESN'T CONTAIN ENVIRONMENTAL HAZARDOUS MATERIALS PER MATERIAL SPECIFICATION SS-00259 FOR SONY GP
4. THE DIMENSIONS MARKED (ND) WILL BE CHECKED BY Q.C. AND PROCESS ENGINEERS.
5. PACKING PER AMTA PACKING SPECIFICATION PKS-0001
6. MEET SATA REVISION 3.0 SPECIFIED

G0912X830XXLF	2.05±0.2
G0912X230XXLF	3.10±0.25
PART NUMBER	A

TOLERANCE m/m	APPROVALS	DATE	TITLE
x. ±0.30	DRAWN Chenny Yeh	8/21/2012	G09 SERIES SATA II CONNECTOR PLUG, 7-POS. R/A DIP, REVERSE
x.x ±0.25	CHECKED Sondra Sang	8/21/2012	
x.xx ±0.15	APPROVED Hank Hsu	8/21/2012	
x.xxx ±0.08			
ANGULAR ±2°			
UNLESS OTHERWISE SPECIFIED	UNIT MM	SIZE A4	PART NO. G09 12X2 30XX LF

		SCALE N.A.		SHEET 1 OF 4	
		DWG NO. T473-G0912X230XXLF-29		REV. E	

This document is the property of Amphenol Corporation and is delivered on the express condition that it is not to be disclosed, reproduced or used, in whole or in part, for manufacture or sale by anyone other than Amphenol Corporation without its prior consent, and that no right is granted to disclose or to use any information in this document.

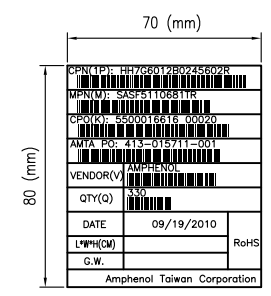
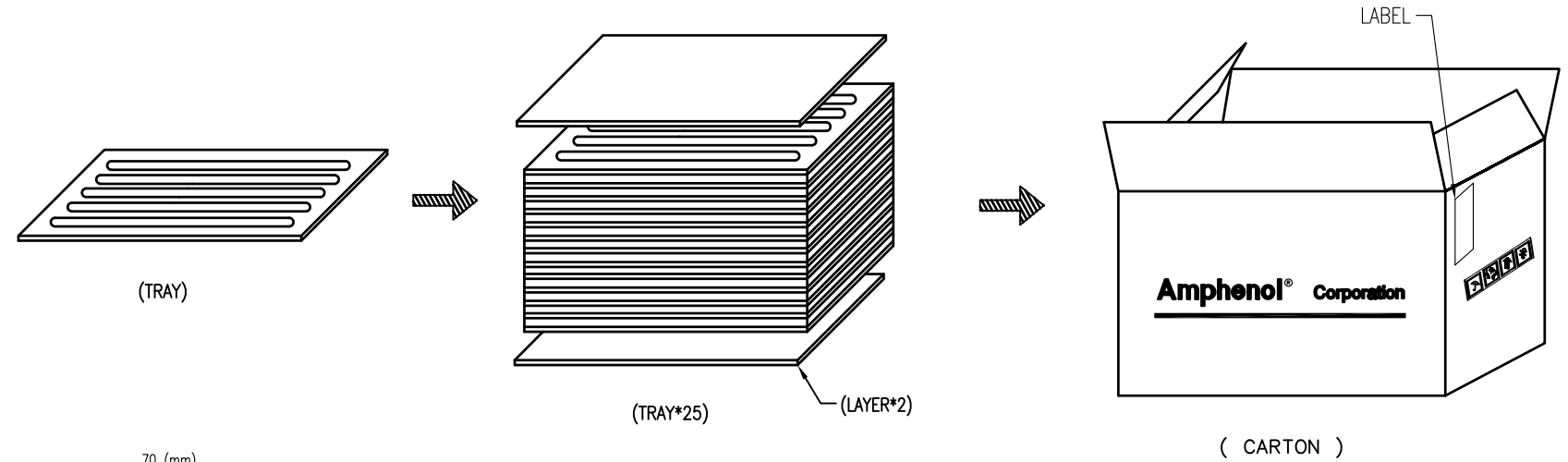
The marking on this product doesn't contain environmental hazardous materials per Material Specification SS-00259 for Sony GP compliant or per directive 2002/95/EC for RoHS compliant.



# CUSTOMER DRAWING ORIGINAL



REVISIONS				
SYM	ECN No.	DESCRIPTION	DATE	BY
A		RELEASE TO PRODUCTION	09/12/2007	Hank Hsu
B	NE-11077	ADD P/N SYSTEM	06/01/2011	Chenny Yeh
C	NE-11143	ADD MEET SATA 3.0 SPEC	10/06/2011	Chenny Yeh
D	NE-12154	ADD TAPE REEL PACKING DWG	08/17/2012	Chenny Yeh
E	NE-12157	MODIFIED SPROCKE HOLES	08/21/2012	Chenny Yeh



**TAB 1**  
SCALE:2:1  
BAR-CODE SAMPLE

PART NO.	PCS/TRAY	TRAY/CARTON	PCS/CARTON	PE BAG	LAYER
G09 SERIES	100	25	2500	1	2

(\* \*) FOR REFERENCE

TOLERANCE m/m	APPROVALS	DATE	TITLE		Amphenol®	
x. ±0.30	DRAWN Chenny Yeh	8/21/2012	G09 SERIES SATA II CONNECTOR PLUG, 7-POS. R/A DIP, NORMAL		Amphenol Corporation Amphenol Taiwan Corporation	
x.X ±0.25	CHECKED Sondra Sang	8/21/2012				
x.XX ±0.15	APPROVED Hank Hsu	8/21/2012				
x.XXX ±0.08			SCALE	N.A.	SHEET 2	OF 4
ANGULAR ±2°			SIZE	PART NO.	DWG NO.	REV.
UNLESS OTHERWISE SPECIFIED	UNIT	MM	A4	G09 12X2 30XX LF	T473-G0912X230XXLF-29	E

This document is the property of Amphenol Corporation and is delivered on the express condition that it is not to be disclosed, reproduced or used, in whole or in part, for manufacture or sale by anyone other than Amphenol Corporation without its prior consent, and that no right is granted to disclose or to use any information in this document.

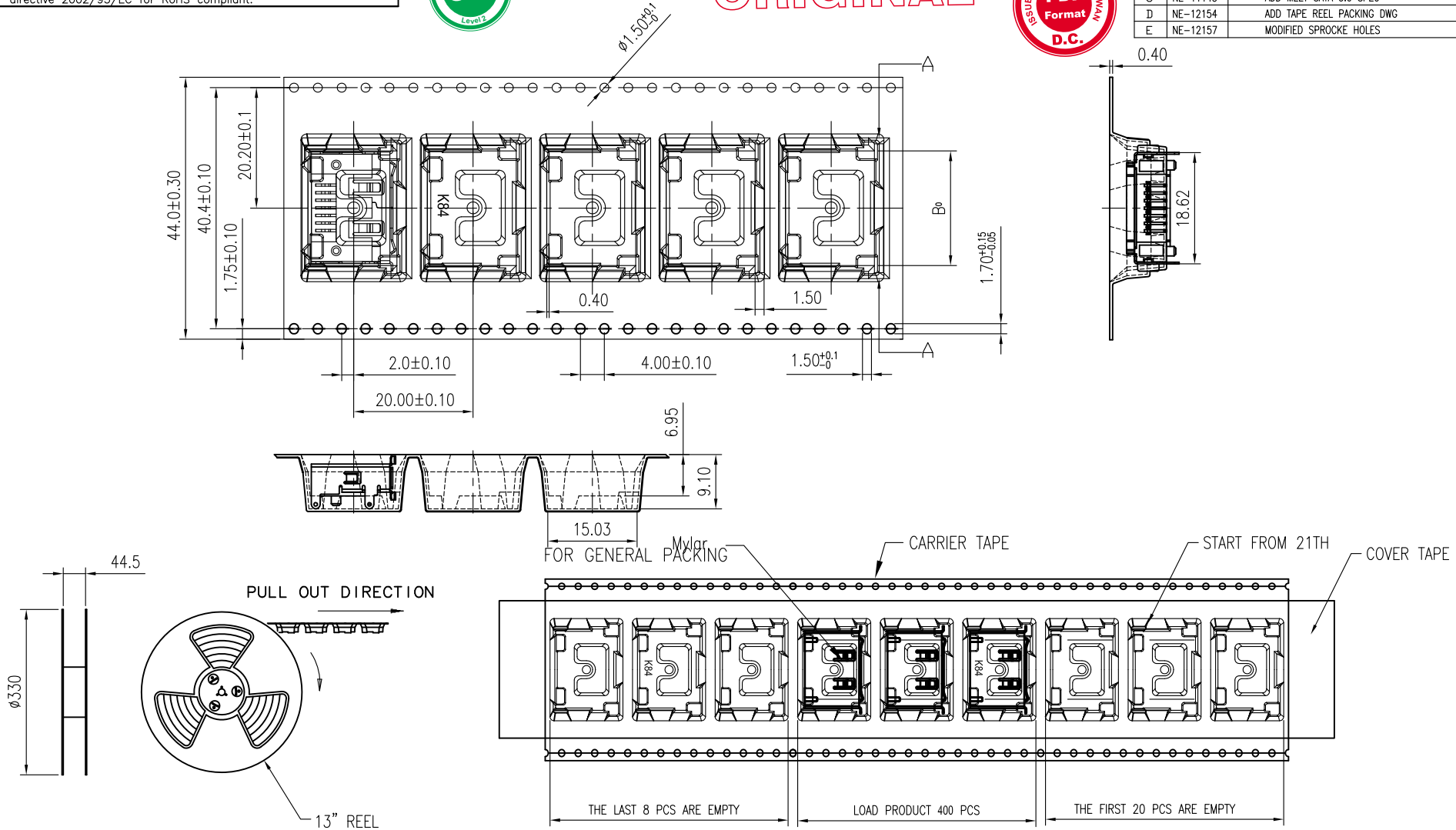
The marking on this product doesn't contain environmental hazardous materials per Material Specification SS-00259 for Sony GP compliant or per directive 2002/95/EC for RoHS compliant.



# CUSTOMER DRAWING ORIGINAL



REVISIONS				
SYM	ECN No.	DESCRIPTION	DATE	BY
A		RELEASE TO PRODUCTION	09/12/2007	Hank Hsu
B	NE-11077	ADD P/N SYSTEM	06/01/2011	Chenny Yeh
C	NE-11143	ADD MEET SATA 3.0 SPEC	10/06/2011	Chenny Yeh
D	NE-12154	ADD TAPE REEL PACKING DWG	08/17/2012	Chenny Yeh
E	NE-12157	MODIFIED SPROCKE HOLES	08/21/2012	Chenny Yeh



- NOTES :
- MATERIALS :  
 CARRIER TAPE : TRANSPARENT ANTI-STATIC POLYSTYRENE  
 COVER TAPE : TRANSPARENT POLYSTYRENE  
 REEL : POLYSTYRENE BLUE

TOLERANCE m/m	APPROVALS	DATE	TITLE		Amphenol® Amphenol Corporation Amphenol Taiwan Corporation	
x.	DRAWN Chenny Yeh	8/21/2012	G09 SERIES E-SATA CONNECTOR PLUG, 7-POS. R/A , REVERSE		SCALE N.A. SHEET 3 OF 4	
x.x ±0.30	CHECKED Sondra Sang	8/21/2012				
x.xx ±0.20	APPROVED Hank Hsu	8/21/2012				
x.xxx ±0.10			SIZE A4	PART NO. G09 12X130XLF	DWG NO. T371-G0912X130XLF	REV. E
ANGULAR ±2°			UNIT MM			
UNLESS OTHERWISE SPECIFIED						

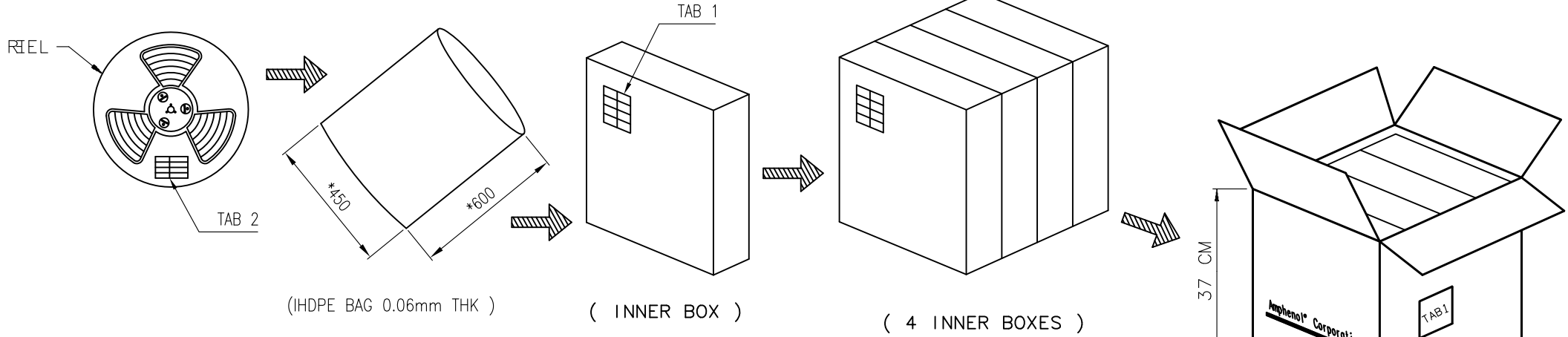
This document is the property of Amphenol Corporation and is delivered on the express condition that it is not to be disclosed, reproduced or used, in whole or in part, for manufacture or sale by anyone other than Amphenol Corporation without its prior consent, and that no right is granted to disclose or to use any information in this document.  
The marking on this product doesn't contain environmental hazardous materials per Material Specification SS-00259 for Sony GP compliant or per directive 2002/95/EC for RoHS compliant.



# CUSTOMER DRAWING ORIGINAL



REVISIONS				
SYM	ECN No.	DESCRIPTION	DATE	BY
A		RELEASE TO PRODUCTION	09/12/2007	Hank Hsu
B	NE-11077	ADD P/N SYSTEM	06/01/2011	Chenny Yeh
C	NE-11143	ADD MEET SATA 3.0 SPEC	10/06/2011	Chenny Yeh
D	NE-12154	ADD TAPE REEL PACKING DWG	08/17/2012	Chenny Yeh
E	NE-12157	MODIFIED SPROCKE HOLES	08/21/2012	Chenny Yeh



70 (mm)	
80 (mm)	80 (mm)
CPN(1P): HH7G6012B0245602R	
MPN(M): SASF51106811R	
CPO(K): 5500016616 00020	
AMT(P): 213-015-001	
VENDOR(V): AMPHENOL	
QTY(Q): 330	
DATE: 09/19/2010	RoHS
L*W*H(CM)	
G.W.	
Amphenol Taiwan Corporation	

**TAB 1**  
SCALE:2:1  
BAR-CODE SAMPLE

70 (mm)	
60 (mm)	60 (mm)
CPN(1P): HH7G6012B0245602R	
MPN(M): SASF51106811R	
CPO(K): 5500016616 00020	
AMT(P): 213-015-001	
VENDOR(V): AMPHENOL	
QTY(Q): 330	
DATE: 09/19/2010	RoHS
Amphenol Taiwan Corporation	

**TAB 2**  
SCALE:2:1  
BAR-CODE SAMPLE

NOTES  
1. THIS PRODUCT DOESN'T CONTAIN ENVIRONMENTAL HAZARDOUS MATERIALS PER MATERIAL SPEC. #MS-S001.

ITEM	DESCRIPTION	Q'TY
4	PRODUCTS	1600PCS/ CARTON
3	INNER CARTON	4PCS/CARTON
2	REEL	1 PCS REEL/HDPE BAG/INNER CARTON
1	PRODUCTS	400 PCS/REEL

TOLERANCE m/m	APPROVALS	DATE	TITLE		Amphenol® Amphenol Corporation Amphenol Taiwan Corporation	
x.	DRAWN Chenny Yeh	8/21/2012	G09 SERIES E-SATA CONNECTOR PLUG, 7-POS. R/A , REVERSE		SCALE N.A. SHEET 4 OF 4	
x.x ±0.30	CHECKED Sondra Sang	8/21/2012				
x.xx ±0.20	APPROVED Hank Hsu	8/21/2012				
x.xxx ±0.10			SIZE <b>A4</b>	PART NO. G09 12X130XLF	DWG NO. T371-G0912X130XLF	REV. E
ANGULAR ±2°			UNIT MM			
UNLESS OTHERWISE SPECIFIED						