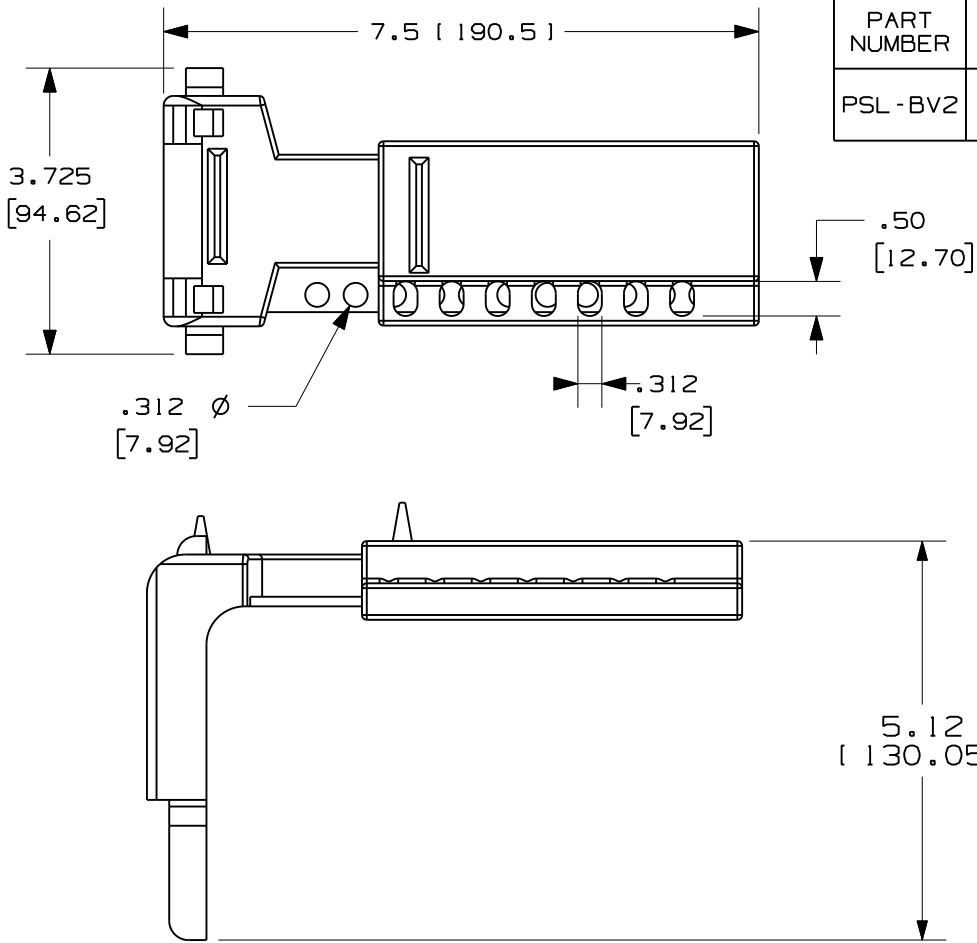


THIS COPY IS PROVIDED ON A RESTRICTED BASIS AND IS NOT TO BE USED IN ANY WAY DETRIMENTAL TO THE INTERESTS OF PANDUIT CORP.



PART NUMBER	VALVE SIZE in. [mm]	STANDARD PKG.	MAX. HANDLE LENGTH	MAX HANDLE WIDTH	OPERATING TEMPERATURE
PSL-BV2	1 1/1" - 2 1/2" [38.1 - 68.5]	1	10" [254.0]	1.0" [25.4]	-40° F (-40° C) TO 215° F (120° C)



NOTES:
1. MILLIMETERS
SHOWN IN ().

CAD FILENAME/LAYERS 100923CM_DC_C10644/00B

PANDUIT CORP. TINLEY PARK, ILLINOIS

PSL-BV2 BALL VALVE LOCKOUT

UNLESS OTHERWISE SPECIFIED,
DIMENSIONAL TOLERANCES ARE:
(.X) ± (.XXX) ±
(.XX) ± ANGLES ±

UNLESS OTHERWISE SPECIFIED,
ALL DIMENSIONS ARE GIVEN
IN INCHES, THIRD ANGLE PROJECTION.

REV	DATE	BY	CHK	DESCRIPTION	ECN	R	CUST	SUP
I	12-13-10	JHAC	<i>Mae</i>	ADDED OPERATING TEMPERATURES AND MAX HANDLE WIDTH	6256			
R	2/11/08	RVU		DRAWING RELEASE	5330	R		

DRAWN BY
RVU
DATE
9-12-03
CHK'G
Mae

MAT'L:
RED
POLYPROPYLENE
PANTONE PMS 186

SCALE
NTS
DRAWING NO.
C10644
DWG
A
SIZE