

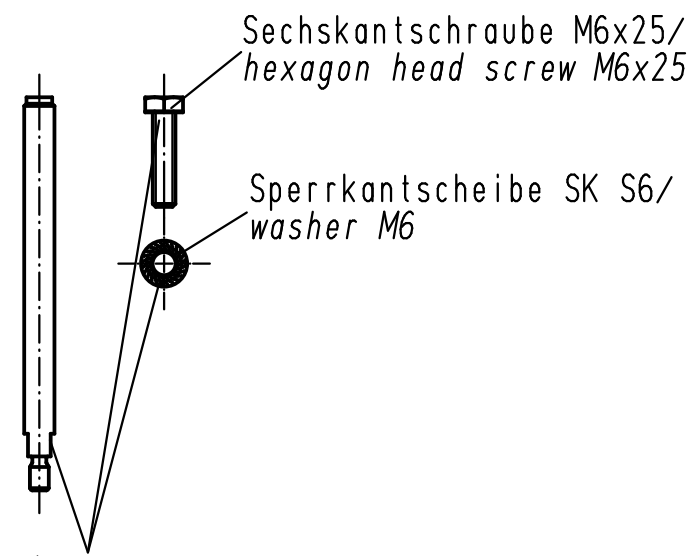
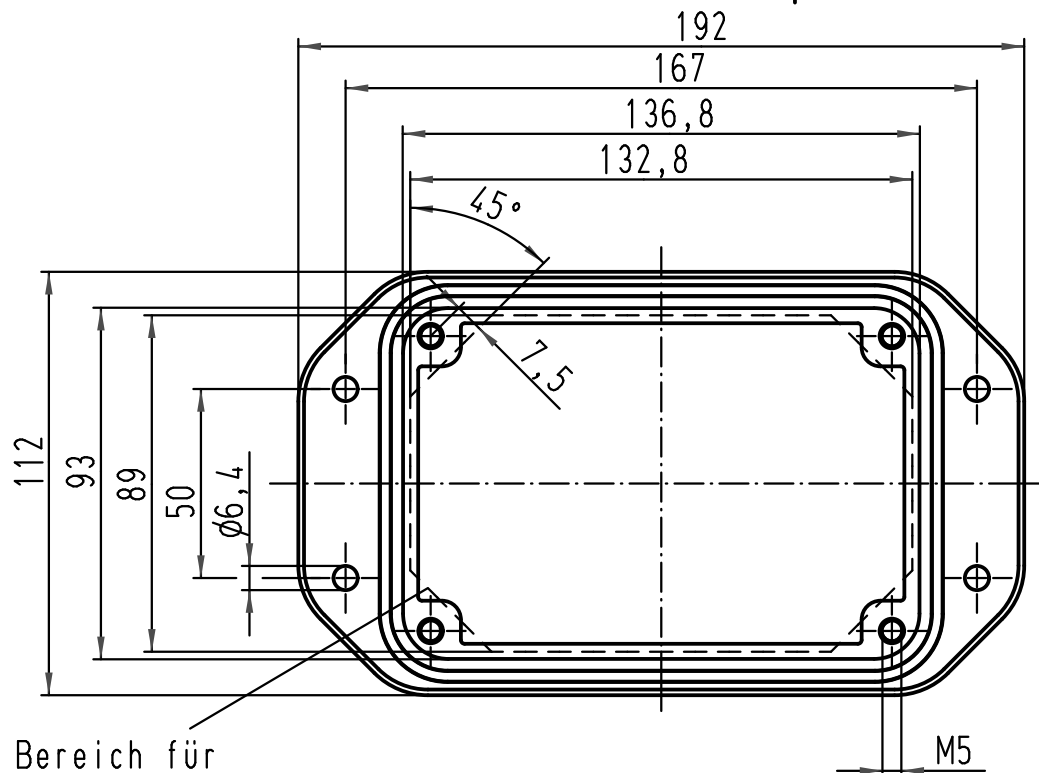
1 2 3 4 5 6

A

B

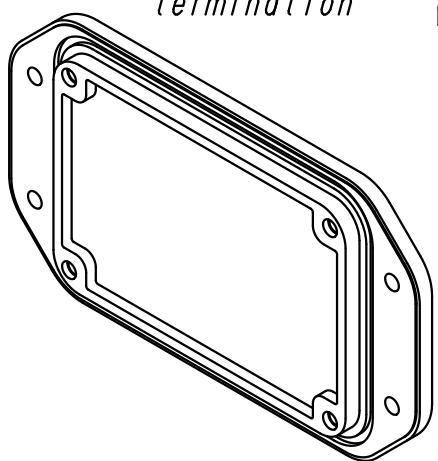
C

D



Je 4 Stück lose mitgeliefert/
4 pieces of each separately enclosed

Bereich für
Anschlußöffnungen/
area for
termination



| | | | | | | |
|---|------|---|----------|------|---|-----------------------------|
| All Dimensions in mm Original Size DIN A 4 | | Techn. Character. | | | Nicht tolerierte Maß/Free size tolerances | |
| | | | Dat. | Name | Maßstab/Scale 1:2 | Deckel / Cover Han 48HPR |
| | | Detail. | 09.06.08 | Bor | | |
| | | Insp. | | Sch | | |
| | | Stand. | | | | |
| 413921 | | HARTING Electric GmbH & Co. KG D-32339 Espelkamp | | | | TB 09 40 048 9803 |
| Mod. | Dat. | Name | | Sub. | | |
| | | | | | | Blatt/page |