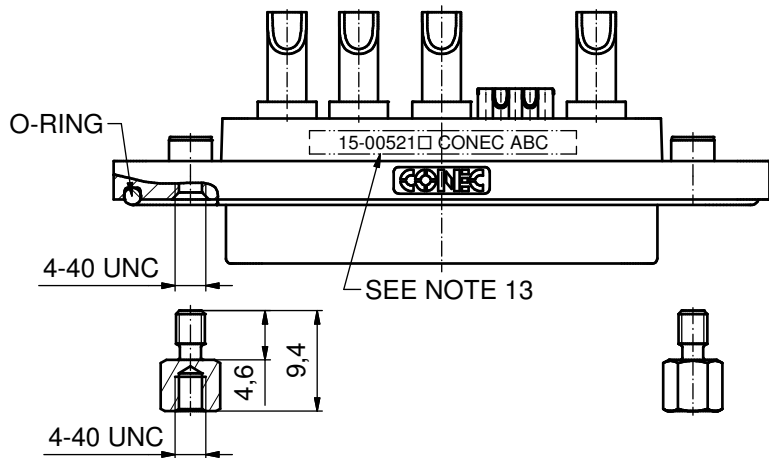
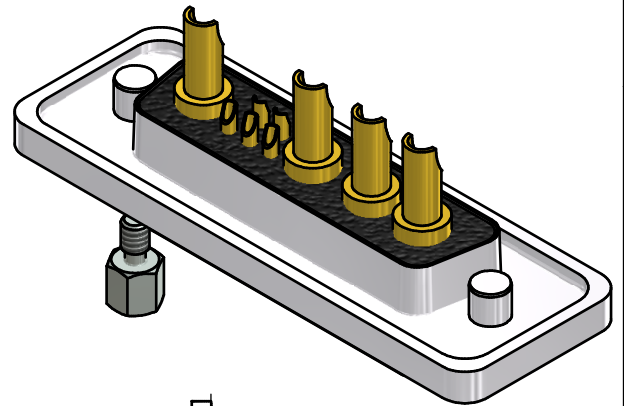
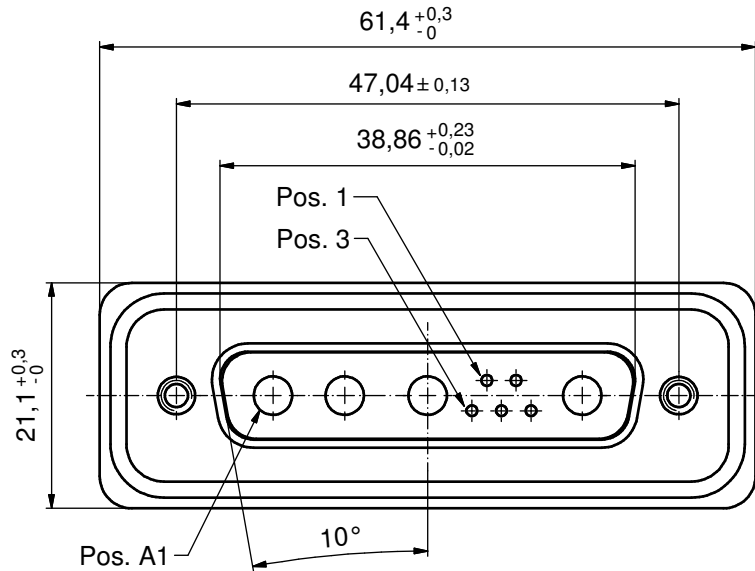
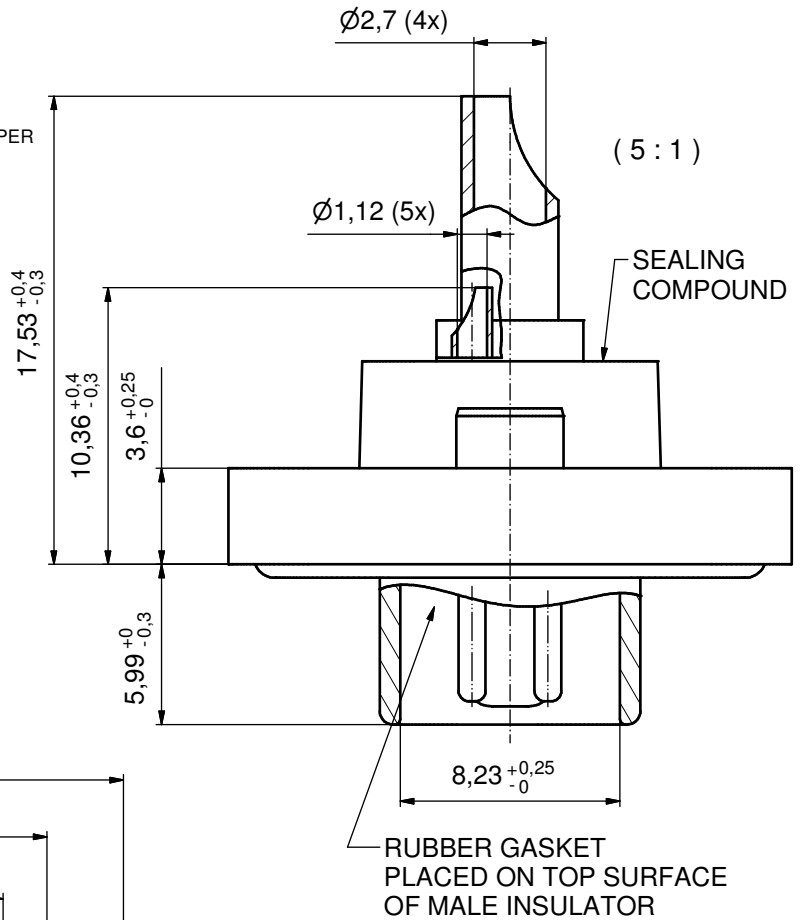


NOTES:

1. RECOMMENDED SOLDER INSTRUCTION SEE SHEET 2
2. IP RATING: IP 67
3. SEALED TO WITHSTAND PRESSURE UP TO 1,45 PSI FOR 30 MINUTES AFTER SOLDERING
4. METALSHELL: ZINC DIE CAST; min. 50µin NICKEL PLATING over COPPER
5. INSULATORS: PBT GF UL 94 V-0, GREEN
6. O-RING: SILICONE PER ASTM D2000 70 SHORE A
7. SEALING COMPOUND: EPOXY RESIN UL 94 V-0; BLACK
8. SIGNAL CONTACTS: COPPER ALLOY
PLATING (SEE PART NO):
30µin HARD GOLD over min. 50µin NICKEL if 1□ in PART NO.
GOLD FLASH over NICKEL if 3□ in PART NO.
SOLDER CUP ACCEPTS CABLE AWG 20
9. HIGH POWER CONTACTS 20A: COPPER ALLOY;
PLATTING MATING SIDE (SEE PART NO):
□ PLEASE ADD 1 for 30µin HARD GOLD over min. 50µin NICKEL
□ PLEASE ADD 3 for GOLD FLASH over NICKEL
PLATING TERMINATION SIDE: GOLD FLASH over NICKEL
SOLDER CUP ACCEPTS CABLE AWG 12-14
10. HEXLOCKING SCREWS. STAINLESS STEEL
11. RECOMMENDED PANEL CUT-OUT ON SHEET 2
12. RECOMMENDED TORQUE FOR MOUNTING SCREW
35Ncm (3.1 in.LB) / max.67Ncm (6 in.LB)
13. CONNECTOR IS PART MARKED: 15-00521□ CONEC ABC



AT ALL TIMES WATER RESISTANT CONNECTORS NOT IN USE SHOULD BE COVERED WITH A CONEC WATER RESISTANT CAP OR WATER TIGHT HOOD

Directive 2002/95/EC RoHS compliant

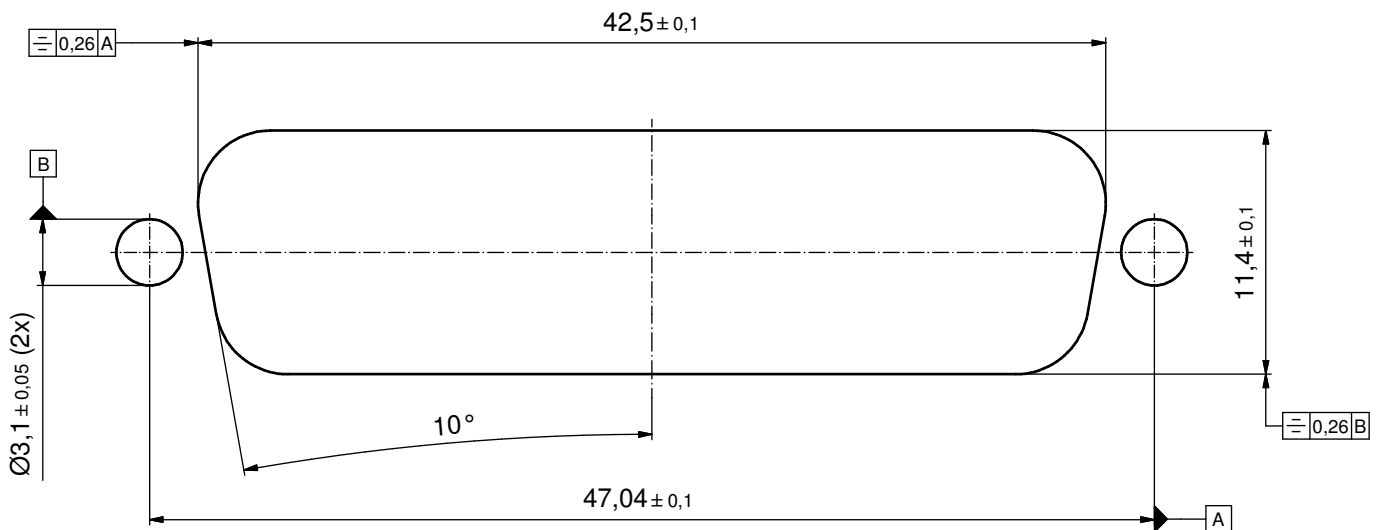
THIS DRAWING MAY NOT BE COPIED OR REPRODUCED IN ANY WAY, AND MAY NOT BE PASSED ON TO A THIRD PARTY WITHOUT WRITTEN PERMISSION. OWNERSHIP AND COPYRIGHT OF CONEC GmbH DO NOT ALTER CAD DRAWING BY HAND	tolerance		dim. in mm		scale: 2:1 (5:1)	
					material: SEE NOTES	
			date	name	title:	
			drawn 19.11.12	Henneboel	D-SUB COMBINATION MALE 9W4P SOLDER CUP with hexlocking screw	
		appd. 19.11.12	Fischer			
		norm				
		d-old		dwg no:	DIN-A3	
		a Original		15K1A1221	sh: 1/2	
rev.	description	date	name	part no: 15-00521□ (see note 9)		



Solder Instruction

1. Cable should be prepared for soldering. The cable/wires must be pretinned.
2. Insert cable/wire into solder cup.
3. Signal Contact
 - 3.1. Operate the soldering iron at 350°C, 50 Watt max. and use a pencil tip.
 - 3.2. Put tip to wire in solder cup.
 - 3.3. After 1 second bring in solder.
 - 3.4. Heat for 3 seconds longer. Do not heat contact more than 4 seconds in total.
4. Power Contact
 - 4.1. Operate the soldering iron at 350°C, 100 Watt max. and use a pencil tip.
 - 4.2. Put tip to wire in solder cup.
 - 4.3. After 1 second bring in solder.
 - 4.4. Heat for 5 seconds longer. Do not heat contact more than 6 seconds in total.
5. Remove soldering iron.
6. Wait until solder gets rigid again.
7. Do not solder adjacent contacts consecutively, alternate position within the connector to minimize heat build up.

RECOMMENDED PANEL CUT-OUT



THIS DRAWING MAY NOT BE COPIED OR REPRODUCED IN ANY WAY, AND MAY NOT BE PASSED ON TO A THIRD PARTY WITHOUT WRITTEN PERMISSION. OWNERSHIP AND COPYRIGHT OF CONEC GmbH DO NOT ALTER CAD DRAWING BY HAND				tolerance		scale: 4:1	
					dim. in mm	material: see sheet1	
				date	name	title: P.C.B HOLE DRILLINGS PANEL CUT-OUT D-SUB Male 9W4P Solder Cup	
				drawn 19.11.12	Henneboel		
				appd. 19.11.12	Fischer		
				norm		dwg no:	DIN-A3
				d-old		15K1A1221	sh: 2/2
a	Original		CONEC [®]			part no: see sheet 1	
rev.	description	date				name	