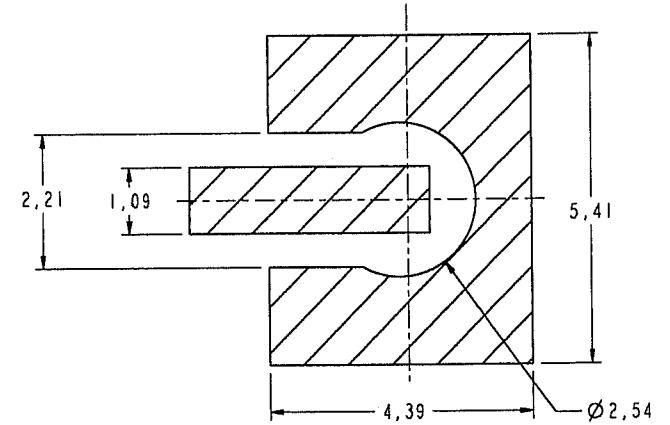
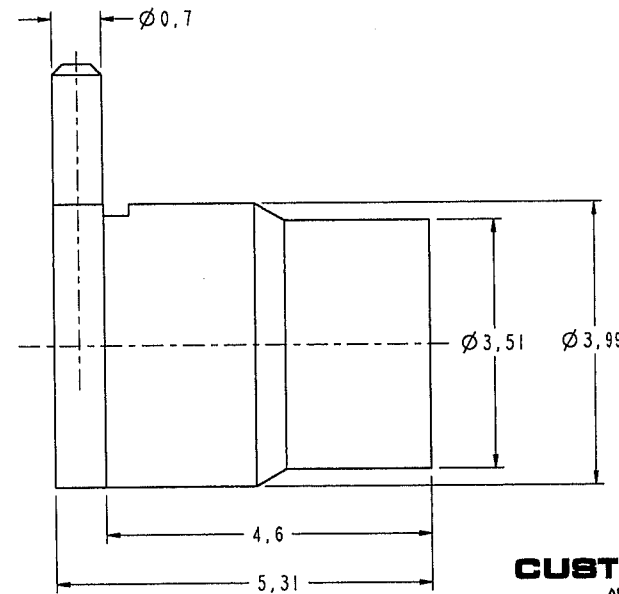
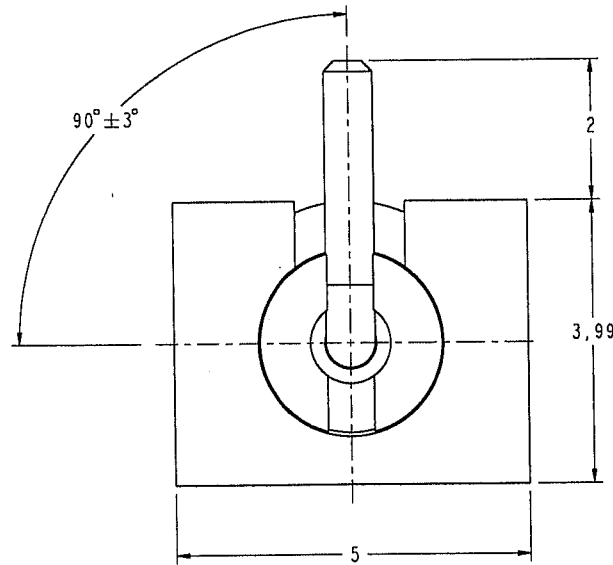


NOTES:

1. MATERIALS AND FINISHES (PLATING THICKNESS IN MICRO-INCHES):
 BODY - BRASS, GOLD PLATING
 CONTACT - BERYLLIUM COPPER, GOLD PLATING
 INSULATOR - PTFE
2. ELECTRICAL:
 A. IMPEDANCE: 50 OHM
 B. FREQUENCY RANGE: DC - 6 GHz
3. MECHANICAL:
 A. DURABILITY: 500 CYCLES MIN.
 B. TEMPERATURE RANGE: - 65°C to +165°C
4. PACKAGING:
 A. PACKAGE CONNECTOR AS PER ROUTING INSTRUCTIONS.
 B. MARK BAG OR TAG:
 AMPHENOL
 908-22109
 DATE CODE
 QTY

THIRD ANGLE PROJ.

REVISIONS				
REV	DESCRIPTION	DATE	ECO	APPR
A	RELEASE TO MFG.	27-Nov-07	44830	



RECOMMENDED PCB LAYOUT
(TOP MOUNT)

CUSTOMER OUTLINE DRAWING
ALL OTHER SHEETS ARE FOR INTERNAL USE ONLY

UNLESS OTHERWISE SPECIFIED, DIMENSIONS ARE IN METRIC AND TOLERANCES ARE:
 0.5 - 6mm ±0.1mm 6 - 30mm ±0.2mm 30 - 120mm ±0.3mm ANGLES ±1°

NOTICE - These drawings, specifications, or other data (1) are, and remain the property of Amphenol corp. (2) must be returned upon request; and (3) are confidential and not to be disclosed to any person other than those to whom they are given by Amphenol Corp. The furnishing of these drawings, specifications, or other data by Amphenol Corp., or to any other person in any manner, including, but not limited to, permitting such holder or any other person to manufacture, use or sell any product, process or design, patented or otherwise, that may in any way be related to or disclosed by said drawings, specifications, or other data.

MATERIAL

REFERENCE
 GEN ASSYF11.MCX
 EAR 1293
 615X-1740-100

FINISH

DRAWN	OWEN BARTHELMES	DATE	9/24/01
ENGINEER	OWEN BARTHELMES	DATE	9/24/01
APPROVED	OWEN BARTHELMES	DATE	2/27/04
CAD FILE	I:\MCX\908-22109		

TITLE
 MMCX (F) PCB JACK
 SMT REAR MOUNT
 OR TOP MOUNT

SCALE: 14.0:1.0 SHEET 2 OF 2
 DWG SIZE B CODE ID 74868 REV A

Amphenol RF
 Danbury CT USA, Tainan, Taiwan, Shenzhen, China
 www.amphenolrf.com
 DRAWING NO. 908-22109
 ITEM NO. 908-22109
 PART NO. 908-22109