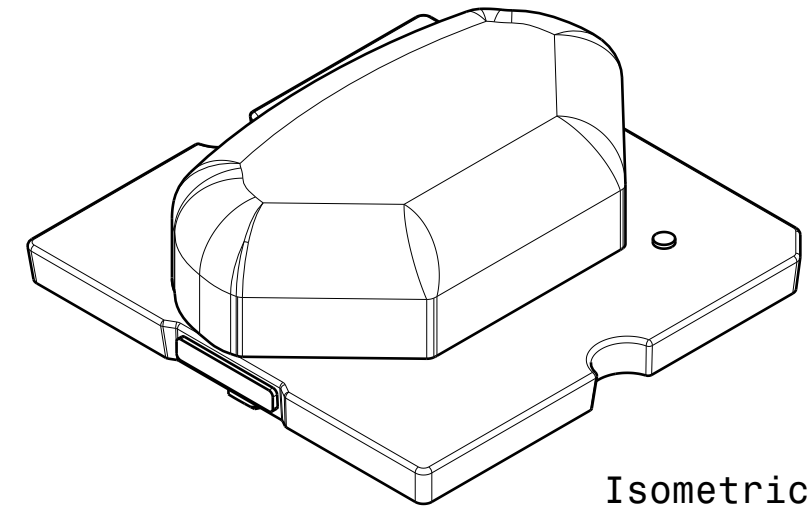
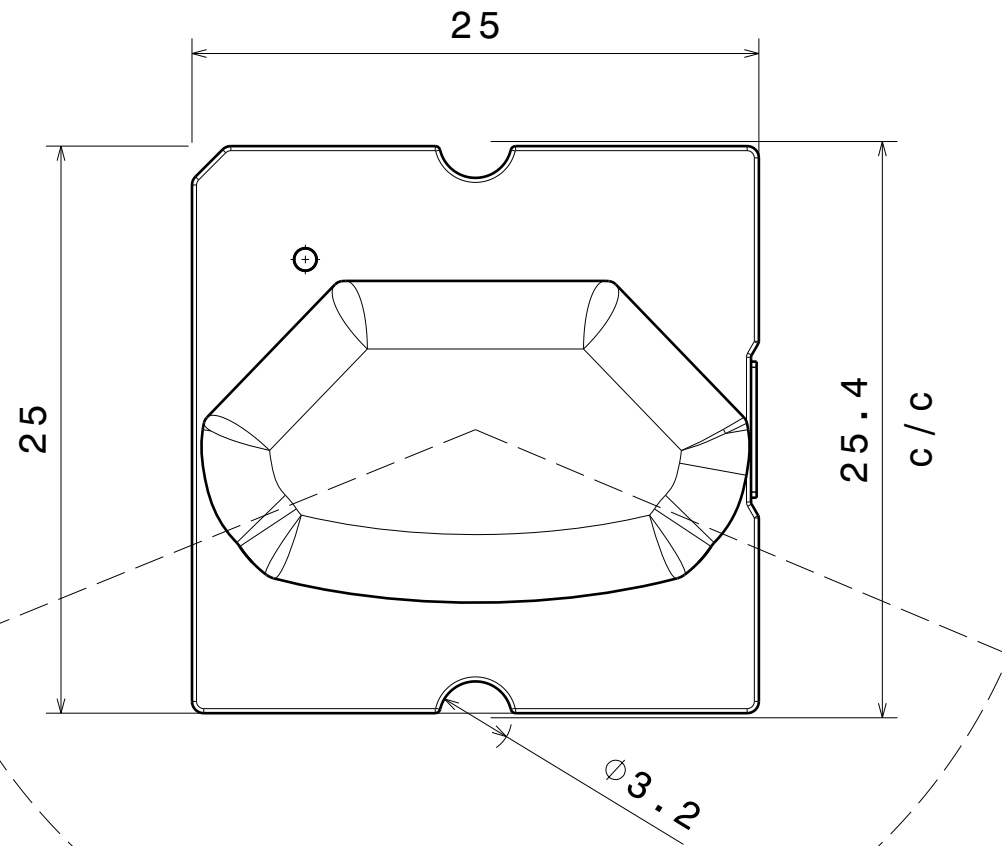


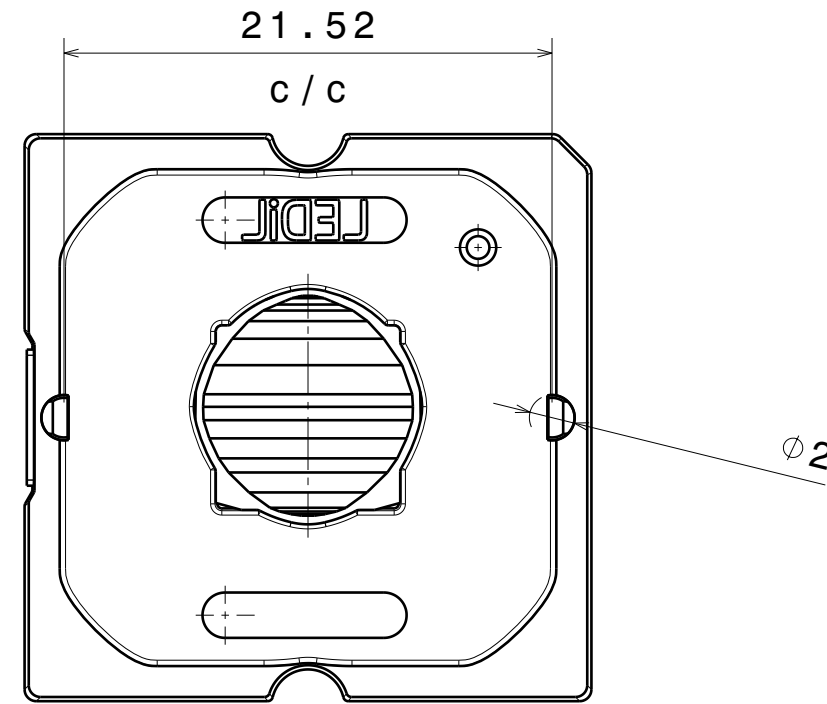
Front view



Isometric view



Top view



Bottom view

Beam direction

INDEX	PART NO	DESCRIPTION	MATERIAL	COLOUR
1	C14657	STRADA-SQ-ANZ-V	PMMA	

Tolerances if not otherwise shown
According to DIN ISO 2768-1
Linear measures:
up to 30mm class M, otherwise class C
According to DIN ISO 2768-2
Form and position: class L

LEDiL LediL Oy
Salorankatu 10
FIN 24240 SALO
Finland

THIRD ANGLE PROJECTION:

DRAWING TITLE
C14657_STRADA-SQ-ANZ-V

This drawing is the property
of LEDiL Oy. It may not be
reproduced, copied or
communicated without a written
agreement with LEDiL Oy.

SIZE	PART NUMBER
A3	C14657

SCALE	3:1	WEIGHT	2,53 g	SHEET	1/1
-------	-----	--------	--------	-------	-----