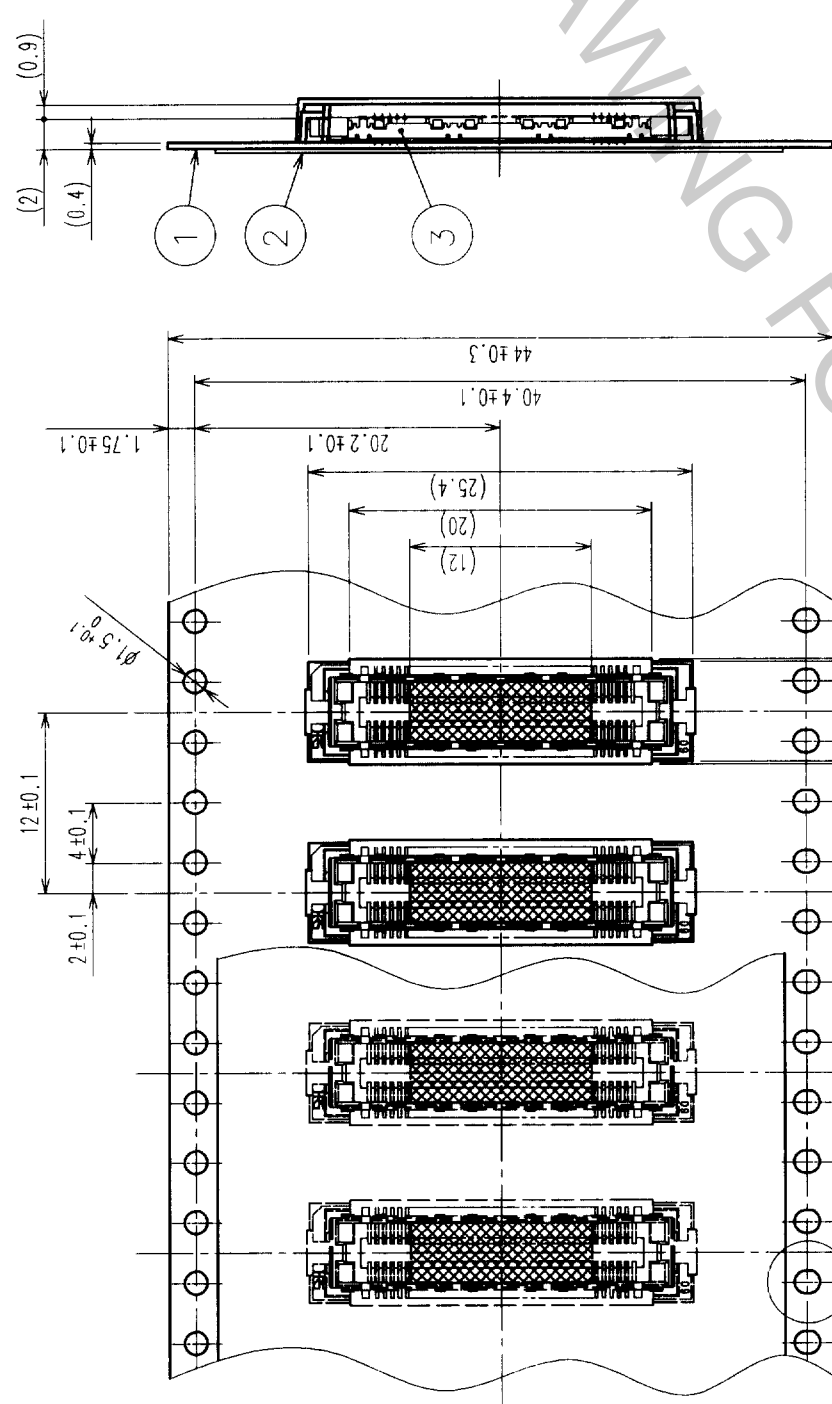
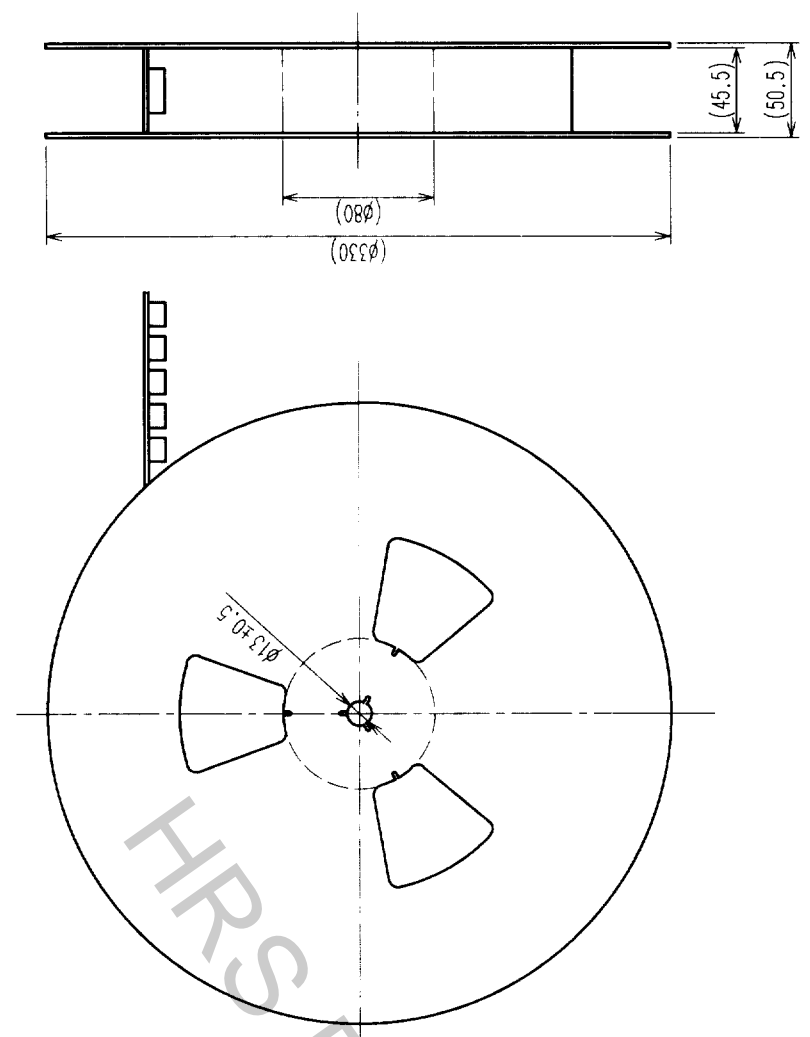


COUNT	DESCRIPTION OF REVISIONS	BY	CHKD	DATE	COUNT	DESCRIPTION OF REVISIONS	BY	CHKD	DATE
△					△				
△					△				
△					△				



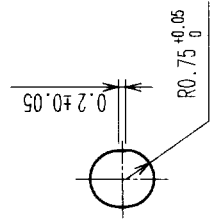
REELED DIMENSION (Free)



THE DIRECTION OF PULLING OUT

DETAIL FOR TAPE PICKUP (5:1)

A (5:1)



- NOTES 1 REEL: 1000 CONNECTORS.
- 2 MINIMUM 10 COMPARTMENTS FROM BOTH REEL ENDS REMAIN EMPTY.
- 3 THIS PRODUCT HAS NO POLARITY TO TAPE AND REEL PACKAGING.

2	PET	TOP COVER TAPE	4	POLYIMIDE	(TAP FOR VACUUM PICKUP)
1	PS	EMBOSSED CARRIER TAPE	3	(CONNECTOR)	
NO.	MATERIAL	FINISH, REMARKS	NO.	MATERIAL	FINISH, REMARKS
DRAWING FOR PACKING					
CODE NO. (OLD)		DRAWN		DESIGNED	CHECKED
CL		Mitsuhama		M. Sakuma	M. Sakuma
		99.10.27		99.10.28	99.10.28
DRAWING NO.		PART NO.		APPROVED	
EDC3-152120-02		FX11LB-68S-SV(22)		RELEASED	
SCALE		CODE NO.			
2 : 1		CL573-0152-0-22			
UNITS		HIROSE ELECTRIC CO., LTD			
mm					

TO
PCK