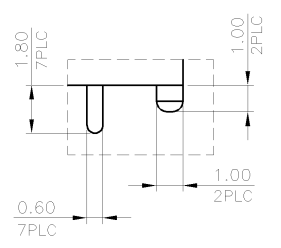
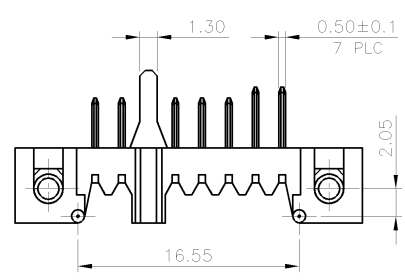
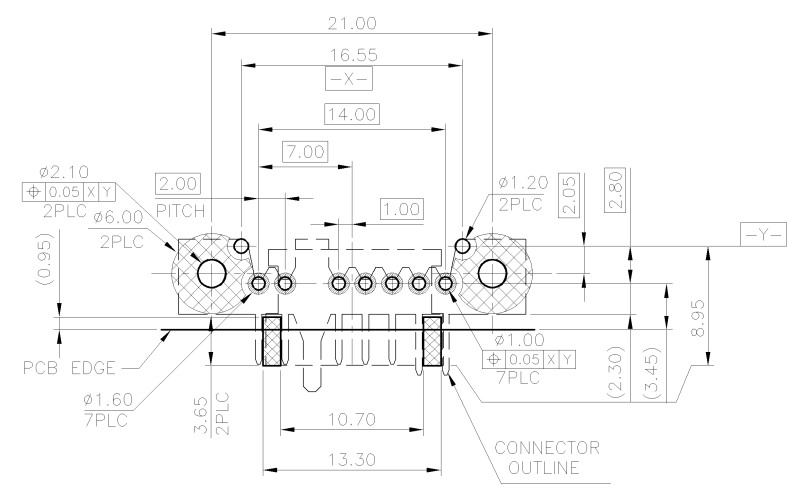
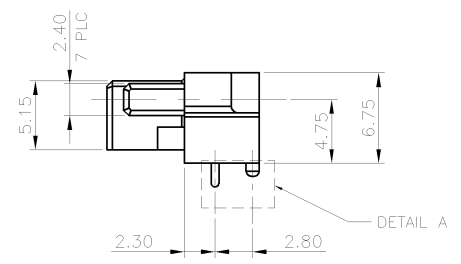
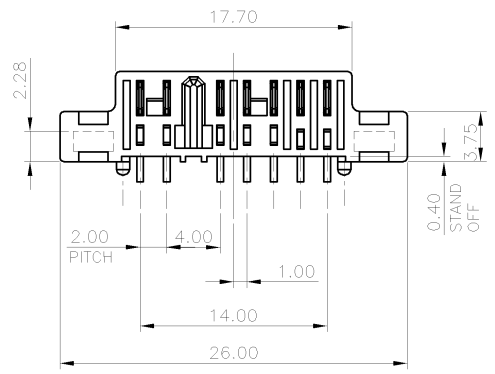
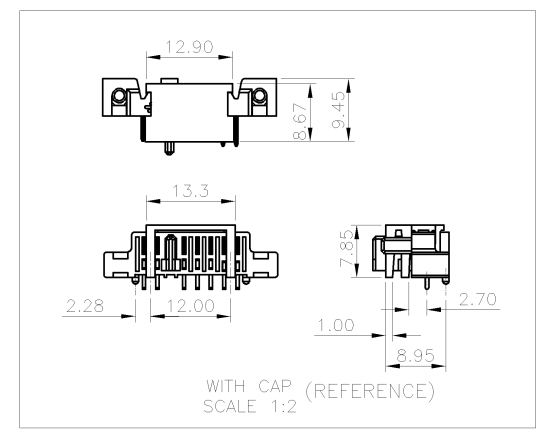
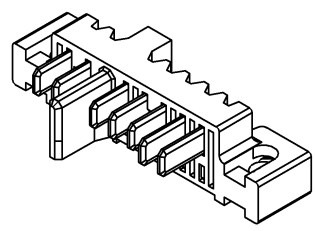
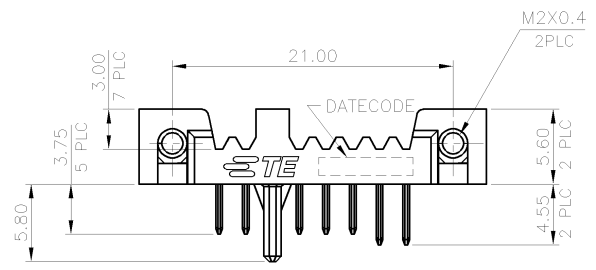


THIS DRAWING IS UNPUBLISHED. RELEASED FOR PUBLICATION
 © COPYRIGHT 2011 BY TYCO ELECTRONICS CORPORATION. ALL RIGHTS RESERVED.

LOC		DIST		REVISIONS				
DW		P	LTR	DESCRIPTION	DATE	DWN	APVD	
		A		RELEASED	31JAN12	JL	WK	



☒ CAP STAND AREA & KEEP OUT AREA
 RECOMMENDED P.C.B LAYOUT <TOP VIEW>
 THICKNESS: 1.20mm, TOLERANCE: ±0.05mm

2041438-1
 PART NUMBER

- NOTE:
 1.MATERIAL:
 1.1.HOUSING/CAP: LCP WITH 50% GF, UL 94V-0, COLOR: BLACK
 1.2.CONTACT: BRASS
 1.3.NUTS: STEEL
 2.FINISH:
 CONTACT: GOLD FLASH PLATED ON CONTACT AREA
 2.54um[100u"] MIN. MATTE-TIN ON SOLDER TAIL
 1.27um[50u"] MIN. NICKEL UNDERPLATE OVERALL
 3.REFLOW SOLDER CAPABLE TO 260°C PER TEST SPEC TEC-109-201
 4. LOW HALOGEN SPECIFICATION
 CHLORINE(CL): 900 ppm MAX.
 BROMINE(BR): 900 ppm MAX.
 CL + BR : 1500 ppm MAX.

THIS DRAWING IS A CONTROLLED DOCUMENT.		DWN J. LAI 31JAN2012	TE Connectivity		
DIMENSIONS: mm		CHK S. CHIEN 31JAN2012	BATTERY CONNECTOR, 2.0MM PITCH, PLUG, 4.75CH, R/A TYPE		
TOLERANCES UNLESS OTHERWISE SPECIFIED: 0 PLC ± - 1 PLC ± 0.3 2 PLC ± 0.2 3 PLC ± 0.15 4 PLC ± - 4 ANGLES ± 3'		APVD W. KODAMA 31JAN2012	NAME		
MATERIAL SEE NOTE		PRODUCT SPEC 108-57891	SIZE A3		RESTRICTED TO
FINISH SEE NOTE		APPLICATION SPEC	CAGE CODE 00779		DRAWING NO C-2041438
		WEIGHT 1.77 GRAMS	SCALE		SHEET 1 of 2
		CUSTOMER DRAWING		REV A	

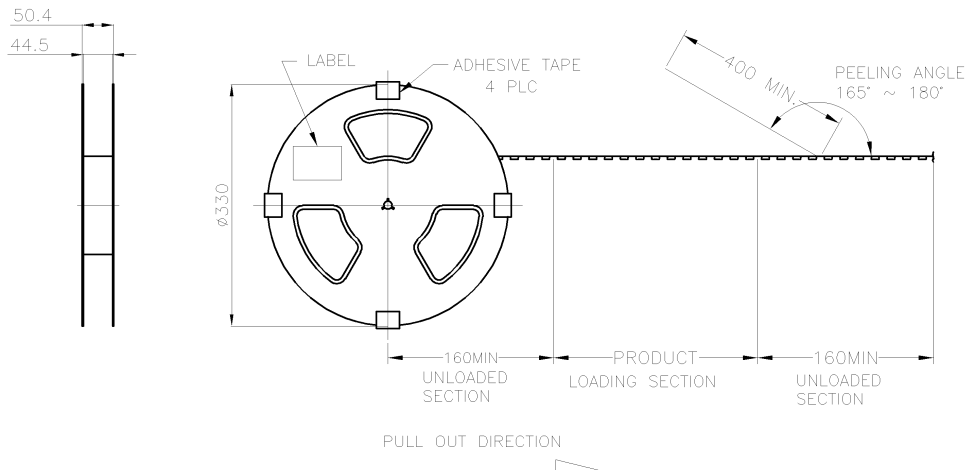
THIS DRAWING IS UNPUBLISHED. RELEASED FOR PUBLICATION

© COPYRIGHT 2011 BY TYCO ELECTRONICS CORPORATION. ALL RIGHTS RESERVED.

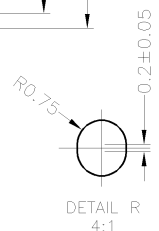
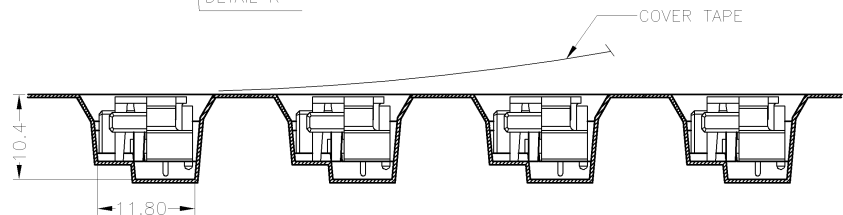
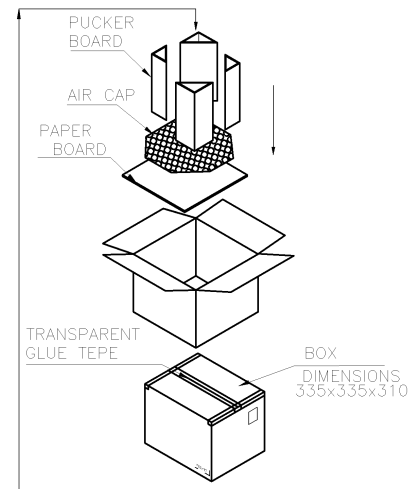
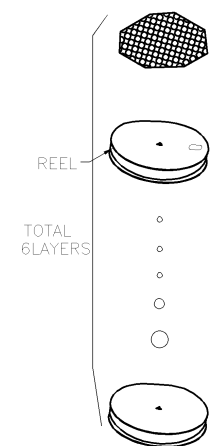
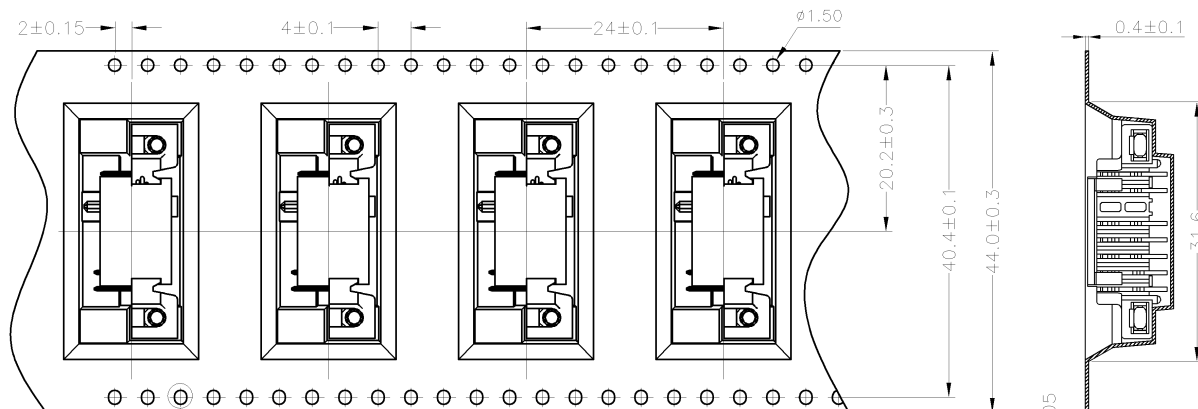
LOC DW
DIST

REVISIONS

P	LTR	DESCRIPTION	DATE	DWN	APVD
		SEE SHEET 1.			



- MATERIAL :
COVER TAPE : PET, COLOR: TRANSPARENT
CARRIER TAPE : PS, COLOR: TRANSPARENT
REEL : PS
SHIPPING BOX: CORRUGATED FIBER
- PEELING STRENGTH: 0.1~0.7N.
- PEELING SPEED: 300mm/min.



6.00KG	2.66KG	250	6	1500	2041438-1
GROSS WEIGHT	NET WEIGHT	PCS/ REEL	REEL/ BOX	PCS/ BOX	PART NUMBER

THIS DRAWING IS A CONTROLLED DOCUMENT.		DWN	TE Connectivity				
DIMENSIONS: mm		CHK				NAME	
TOLERANCES UNLESS OTHERWISE SPECIFIED:		APVD				BATTERY CONNECTOR, 2.0MM PITCH, PLUG, 4.75CH, R/A TYPE	
MATERIAL		PRODUCT SPEC				SIZE CAGE CODE DRAWING NO RESTRICTED TO	
FINISH		APPLICATION SPEC	A3 00779 C=2041438				
MATERIAL		WEIGHT	CUSTOMER DRAWING				
		SCALE	SHEET 2 of 2 REV A				