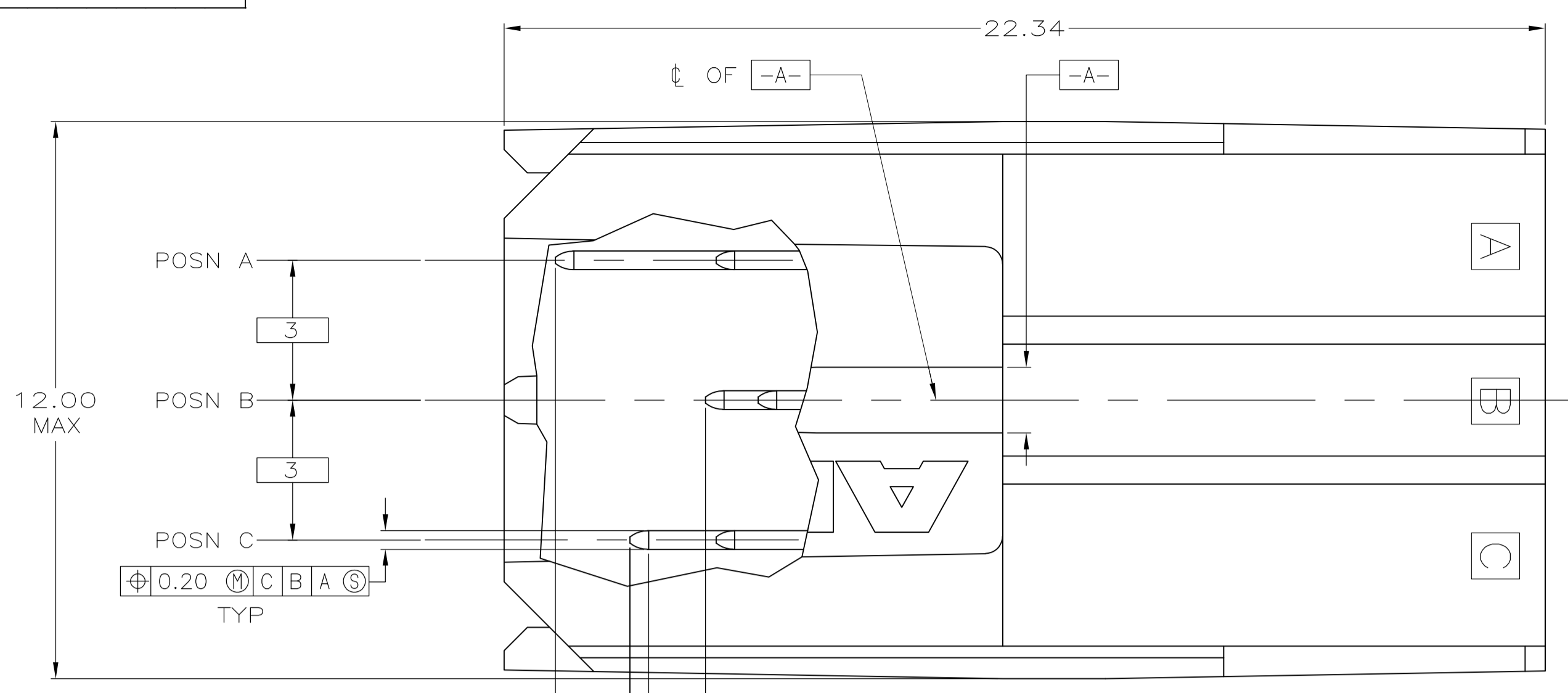
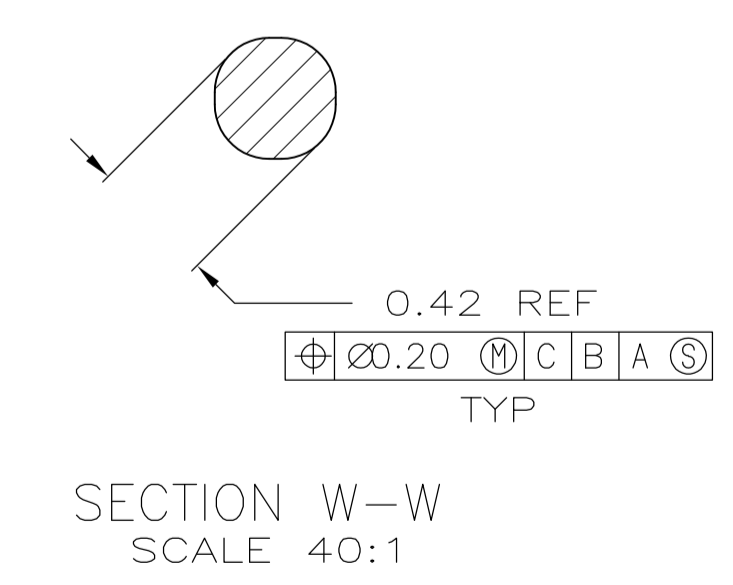
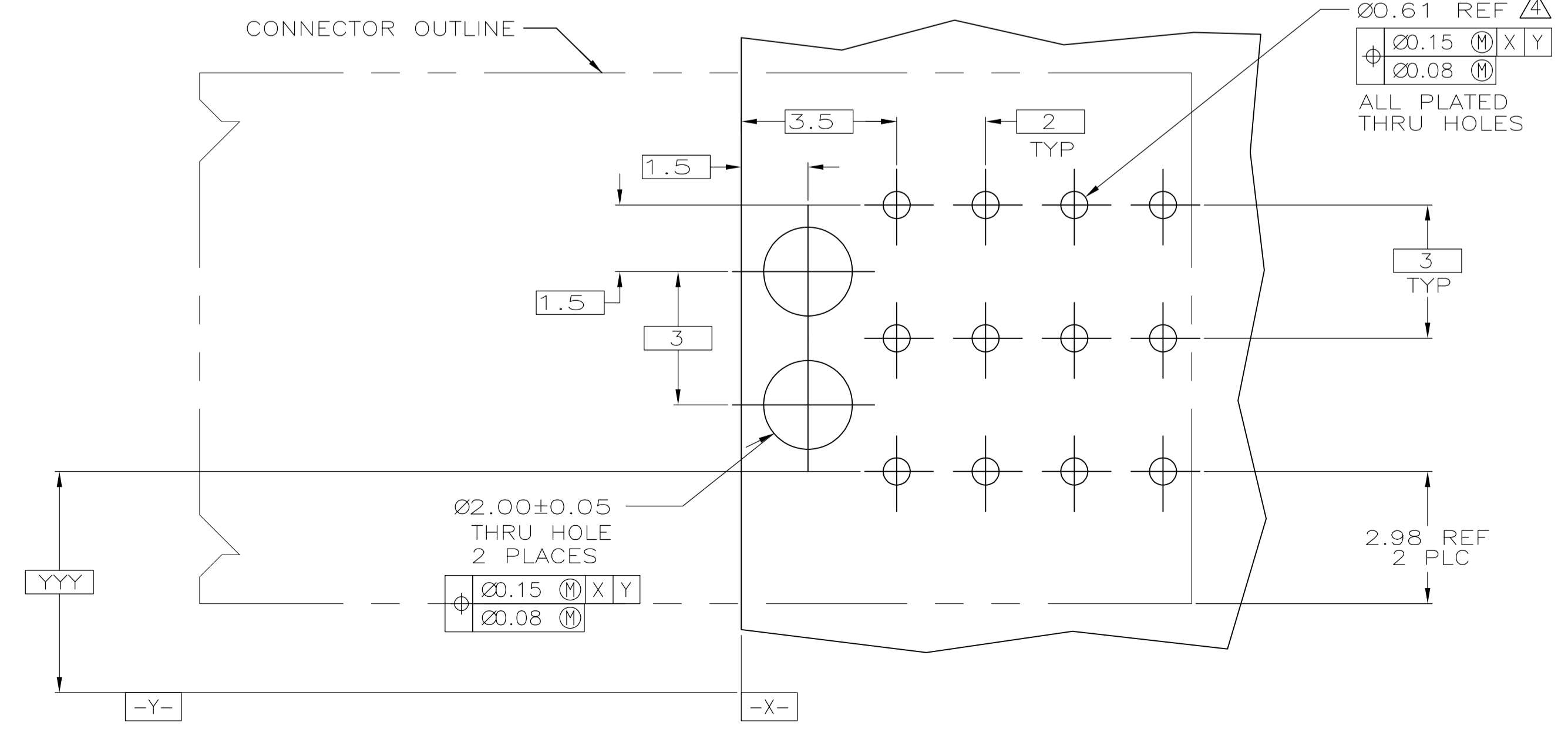
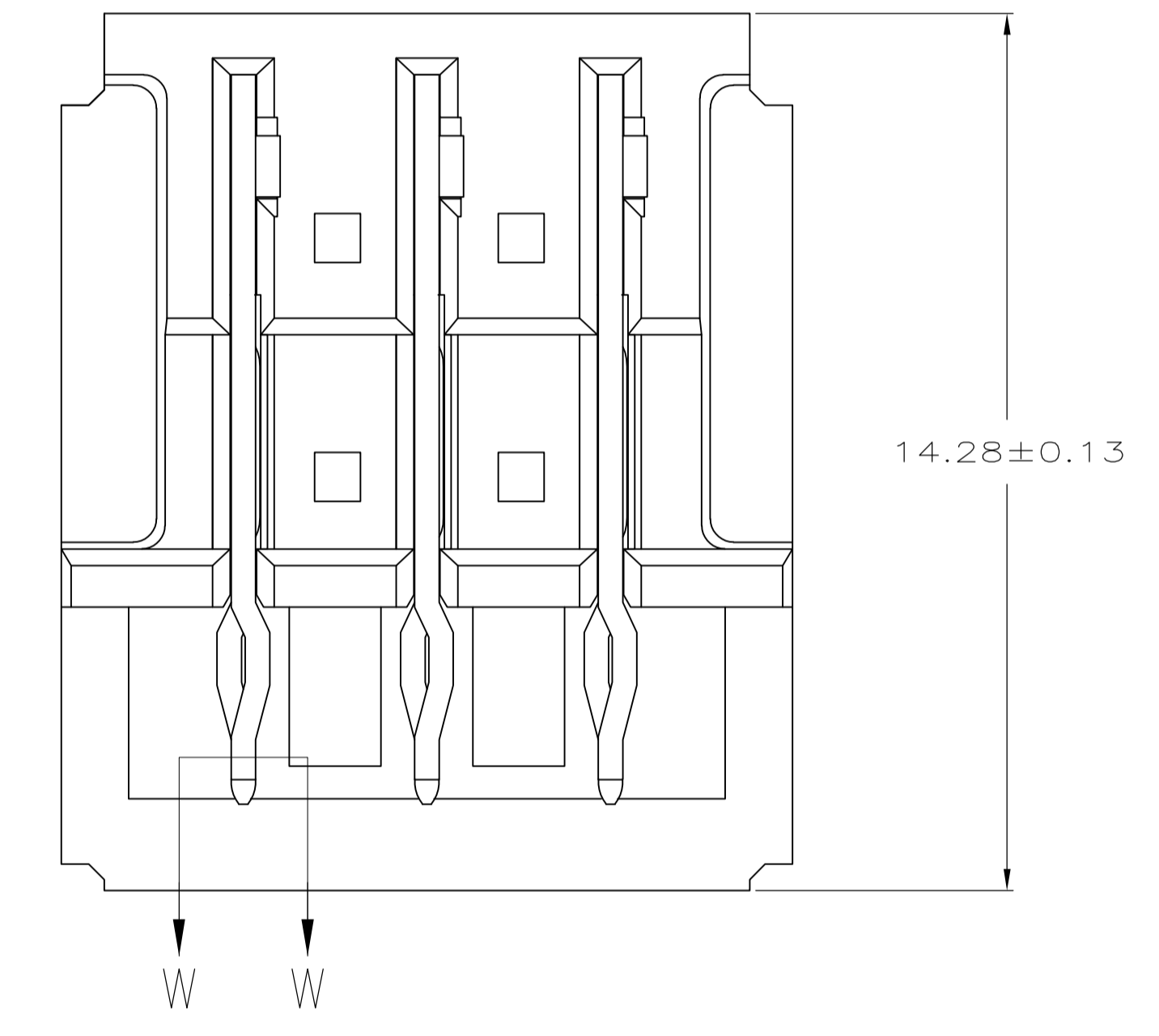
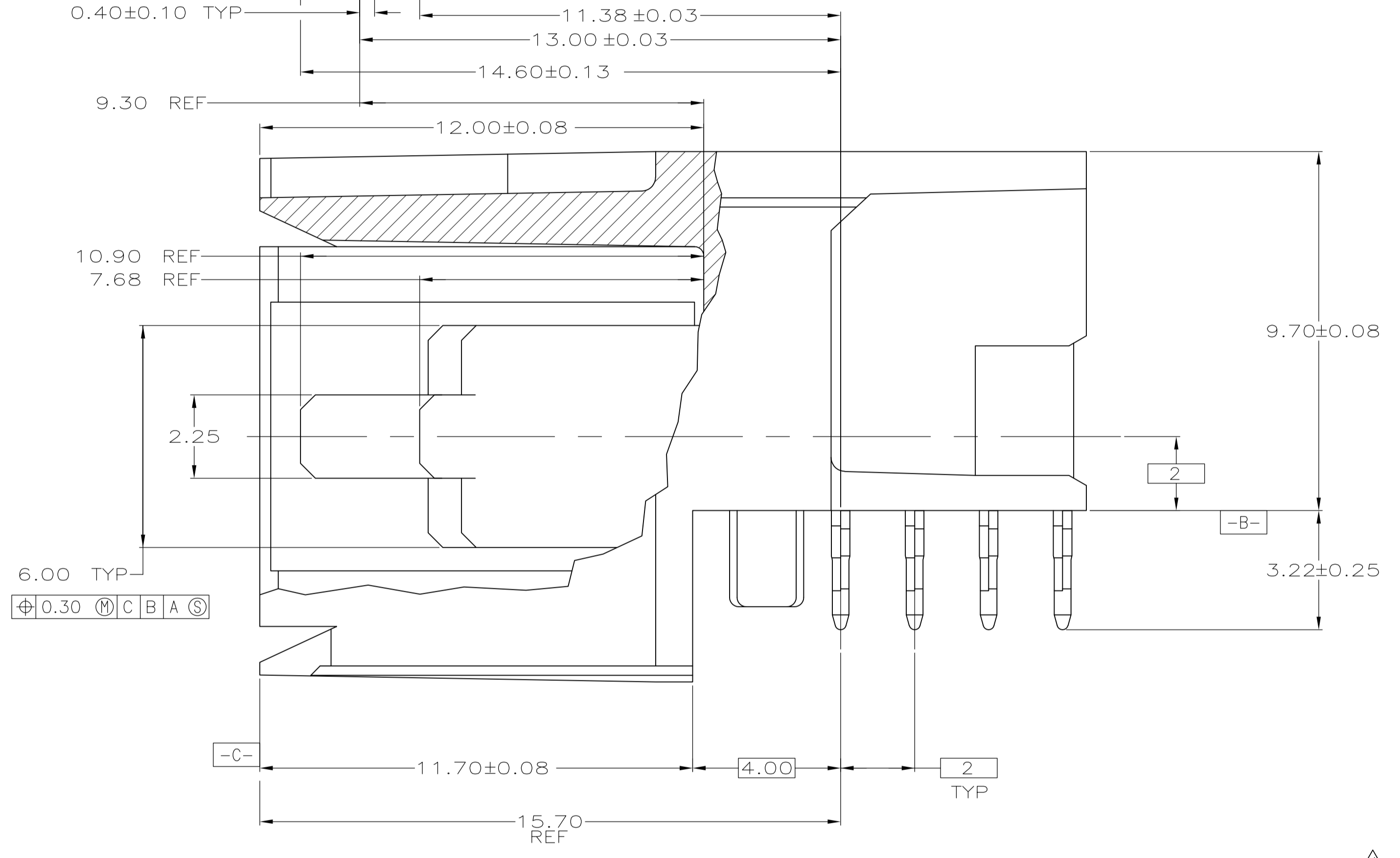
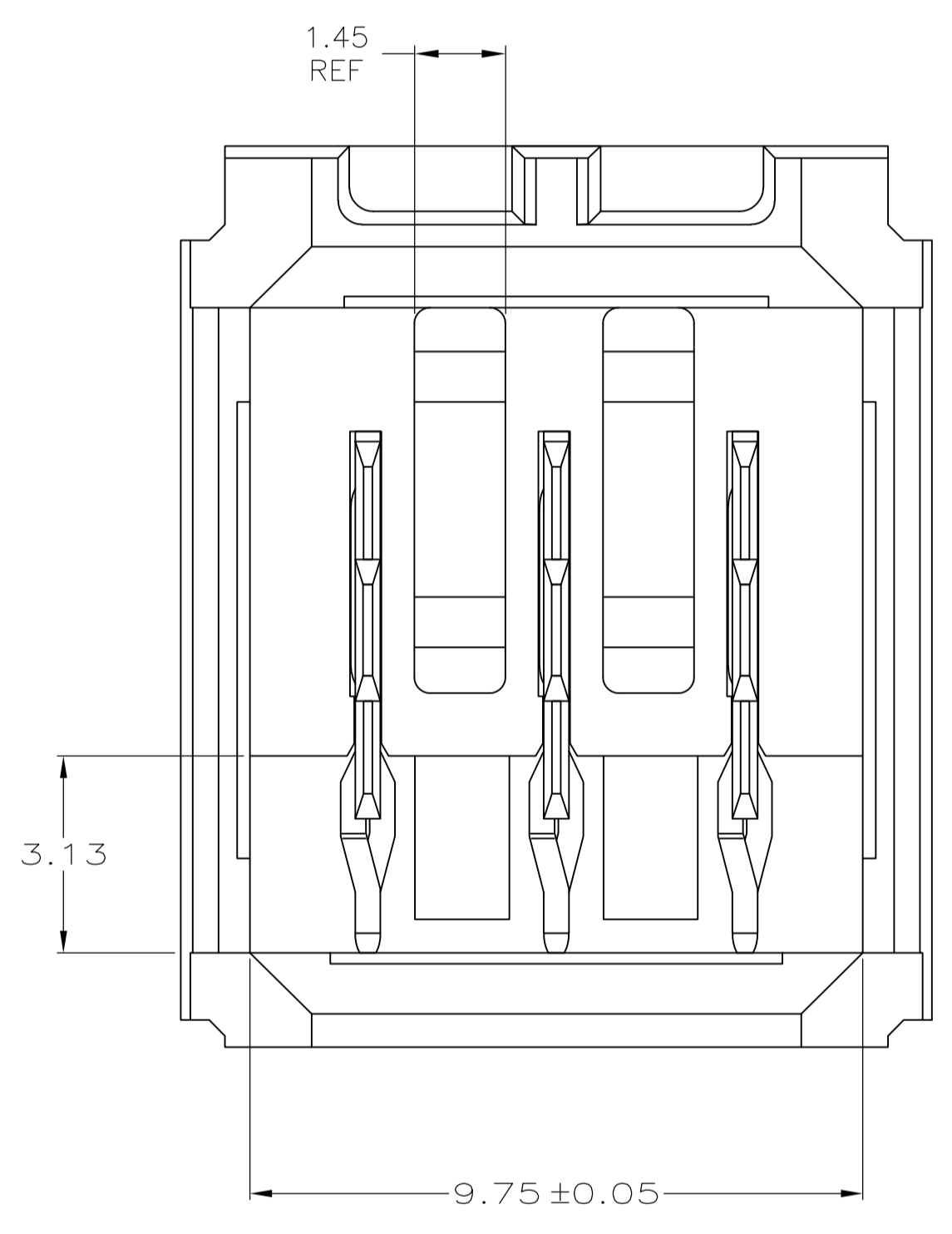


LOC		DIST		REVISIONS			
F	LTR	DATE	DMN	APVO			
F	REVISED PER ECO-11-000045	04JAN11	DH	DY			



- ⚠ MATERIAL: HOUSING: POLYESTER. COLOR: GRAY. UL 94V-0.  
CONTACT: PHOSPHOR BRONZE.
- ⚠ FINISH: CONTACT MATING AREA: 1.27 $\mu$ m MIN GOLD OR 0.08 $\mu$ m MIN GOLD OVER 0.76 $\mu$ m MIN PALLADIUM-NICKEL.  
ACTION PIN AREA: 0.5 $\mu$ m MIN TIN LEAD PLATE, ALL OVER 1.27 $\mu$ m MIN NICKEL UNDERPLATE.
- ⚠ FINISH: CONTACT LUBRICATION WITH BELLCORE APPROVED LUBRICANT. TECHNICAL REFERENCE: TR-NWT-001217 ISSUE 1, SEPT 1992.
- ⚠ REFERENCE APPLICATION SPEC 114-1103 FOR RECOMMENDED PLATED THRU HOLE DIAMETER AND PLATING THICKNESSES.
- 5. CURRENT RATING 10A/CONTACT PER PRODUCT SPEC 108-1651.



223971-1  
PART NUMBER

THIS DRAWING IS A CONTROLLED DOCUMENT.		DIN J.LOCONDRIO 23MAR98	Tyco Electronics Corporation Harrisburg, PA 17105-3608
DIMENSIONS: mm		CIK R.A.PATTERSON 23MAR98	
TOLERANCES UNLESS OTHERWISE SPECIFIED:		NAME R.A.PATTERSON 23MAR98	ASSEMBLY, RIGHT ANGLE HEADER, W/ RETENTION PEGS, UNIVERSAL POWER MODULE
0 PLC $\pm$ -		PRODUCT SPEC	SIZE CAGE CODE DRAWING NO
1 PLC $\pm$ -		APPLICATION SPEC	RESTRICTED TO
2 PLC $\pm$ 0.13		WEIGHT	A1 00779 C=223971
3 PLC $\pm$ -		CUSTOMER DRAWING	SCALE 10:1 SHEET 1 OF 1 REV F
4 PLC $\pm$ -			
ANGLES $\pm$ -			