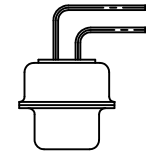
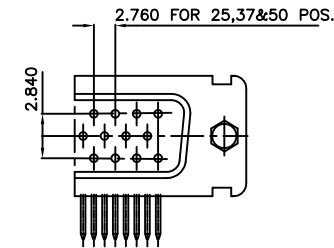
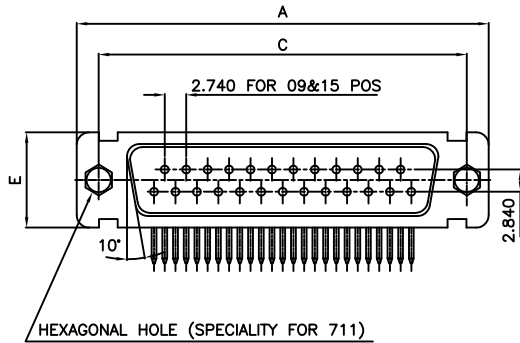


OPTIONAL VIEW FOR TERMINAL BENDING



50	P	66.85	52.68	61.11	11.08	14.99	11.09	5.85	1.0							
	S	66.65	52.30	61.11	10.62	14.99	11.21	6.05	0.8							
37	P	68.94	55.30	63.50	8.23	12.17	11.09	5.85	1.0							
	S	68.94	54.71	63.50	7.77	12.17	11.21	6.05	0.8							
25	P	52.65	38.84	47.04	8.23	12.17	11.09	5.85	0.8							
	S	52.65	38.25	47.04	7.77	12.17	11.21	6.05	0.8							
15	P	38.76	25.12	33.32	8.23	12.17	10.99	5.85	0.8							
	S	38.76	24.54	33.32	7.77	12.17	11.21	6.05	0.8							
09	P	30.43	16.79	24.99	8.23	12.17	10.99	5.85	0.8							
	S	30.43	16.21	24.99	7.77	12.17	11.21	6.05	0.8							
SHELL SIZE		A-0	+0.76	B-0	+0.25	C	+0.12	+0.25	D-0	+0.76	E-0	F MAX	+0.15	G-0	+0.22	H-0

PART & NUMBER AND DATE CODE PRINTING

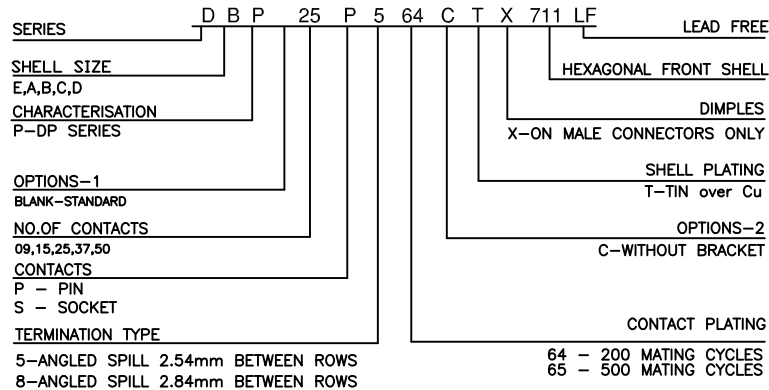


LAYOUT OF 50 POS. CONNECTOR

TECHNICAL SPECIFICATIONS

- SHELLS : TIN PLATED STEEL
- INSULATOR MATERIAL : SELF EXTINGUISHING THERMOPLASTIC- TO UL CLASS 94 V0
- CONTACTS DIA ON ACTIVE AREA : Ø1 MM.
- CONTACTS MATERIAL : COPPER ALLOY
- CONTACT PLATING : GOLD OVER NICKEL
- OPERATING TEMPERATURE : -55°C +125°C
- OPERATING CURRENT : 7.5 A PER CONTACT
- CONTACT RESISTANCE : <7.3 mΩ
- INSULATION RESISTANCE : >5000 MΩ
- MAXIMUM VOLTAGE : 1000 V.r.m.s
- MECHANICAL ENDURANCE : 500 MATINGS MIN.FOR CODE 65
: 200 MATINGS MIN.FOR CODE 64
- DAMP HEAT : 56 DAYS FOR CODE 65
: 21 DAYS FOR CODE 64

ORDERING INFORMATION



NOTE:

- 1) INSIDE DIMENSION OF MALE AND OUTSIDE DIMENSION OF THE FEMALE CONNECTOR
- 2) REFER DRG: C-DSUB-0186 FOR PCB LAYOUT

"This LF product meets European Union Directives and other country regulations as described in GS-47-0004"
The housing will withstand exposure to 260°C peak temperature for 3.5 seconds in a wave solder application with a 1.6mm minimum thick circuit board.
Packaging as per GS-14-920

mat'l. code		surface		tolerance	projection	product family	
-		ISO 1302		ISO 406 ISO 1101		D-SUB	
ltr	ecn no	dr	date	tolerances unless otherwise specified		title	
B	106-0074	GVJ	2006/06/08	angles	linear	D-SUB DP A/S CONNECTOR	
C	ELX-1-20930	MP	2015/05/20	.00±0.06		(FOR SPECIAL CODE 711)	
				0°±2°		scale	
				dr		dwg no	
				Mini K Vandanaath		sheet 1 of 1	
				enr		A3	
				Mithun Paul		C-DSUB-0155	
				chr		type	
				Alias Babu		Product Customer Drawing	
				appd			
				BijuK.Paul			
sheet index	revision	C					
	sheet	1					