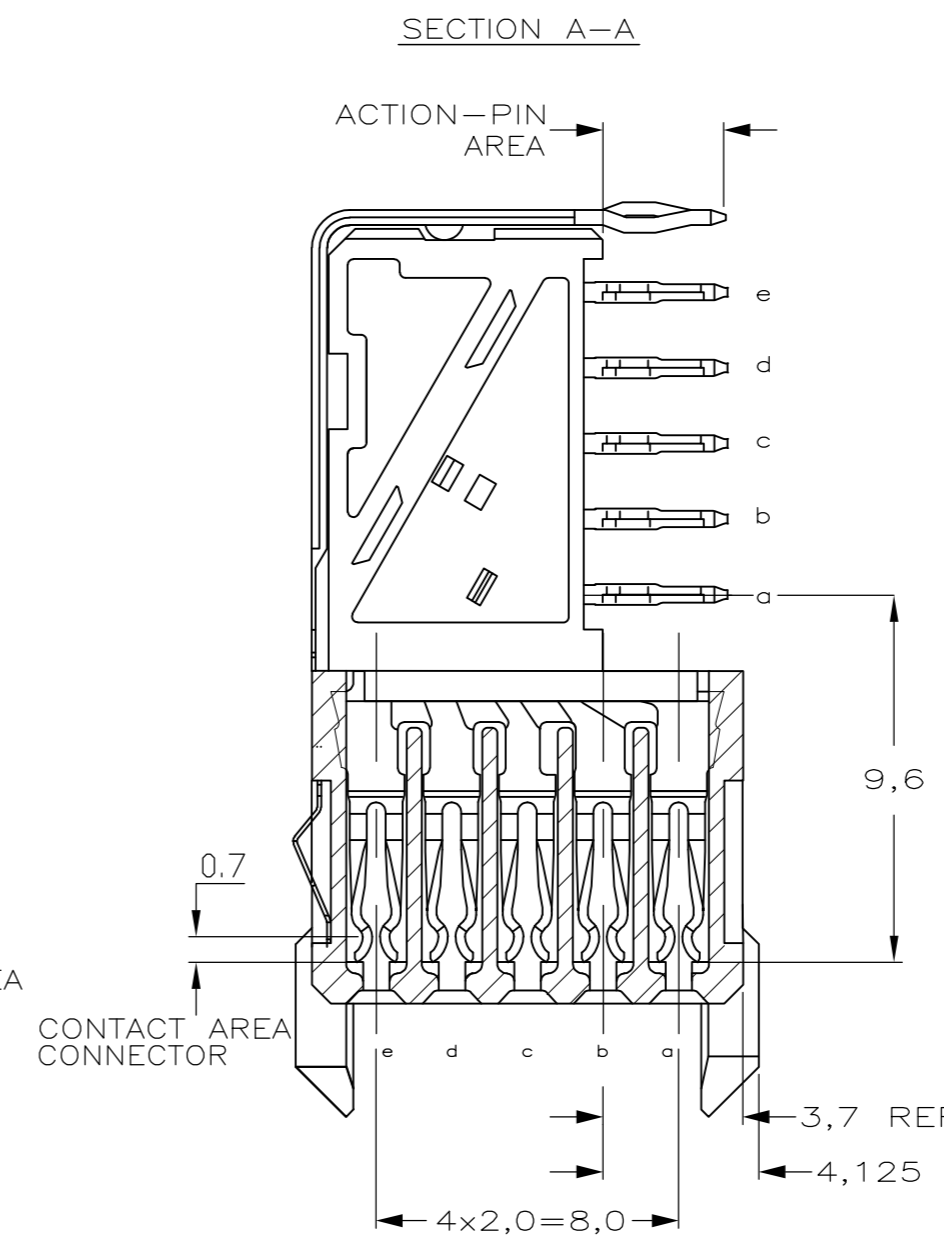
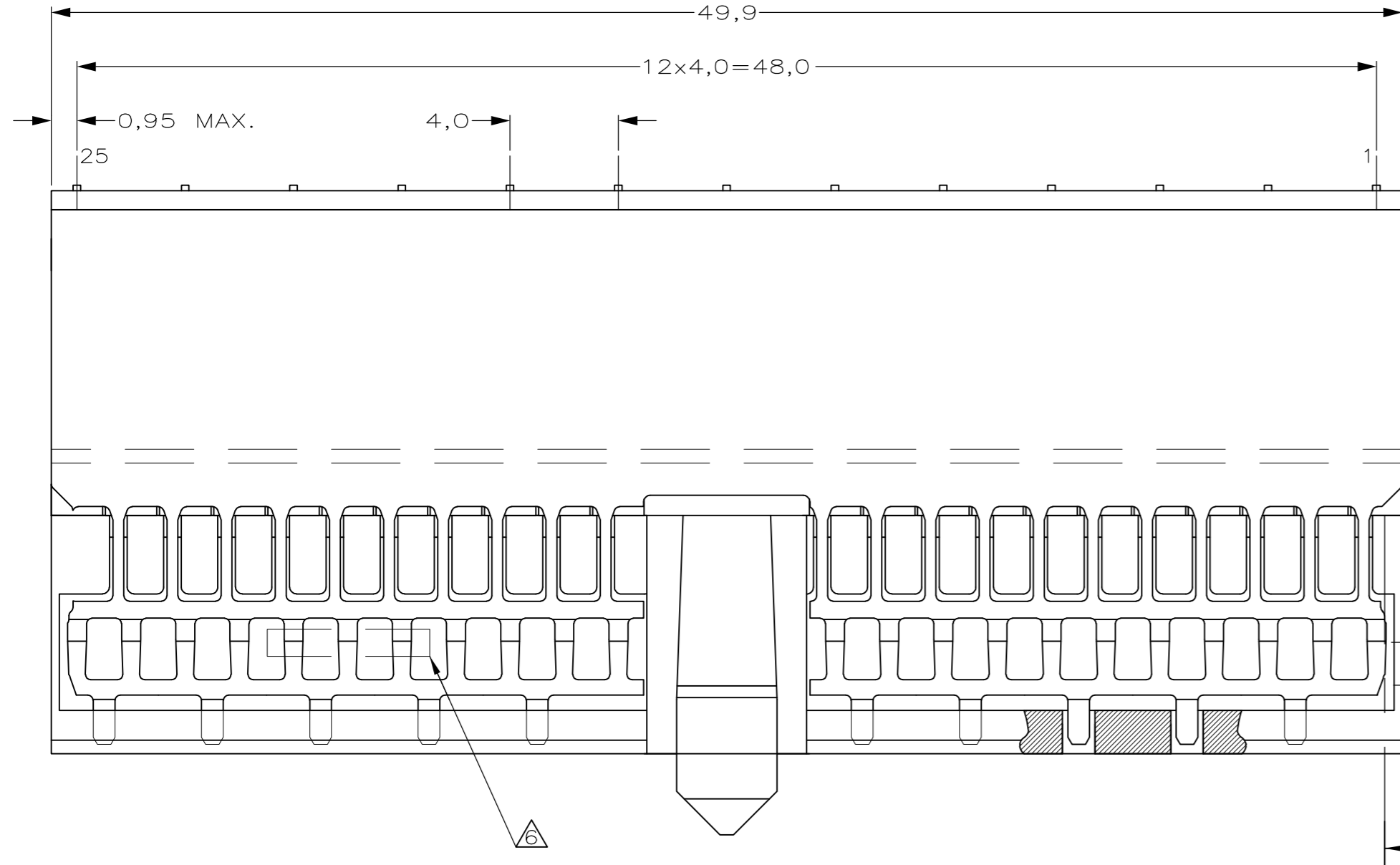
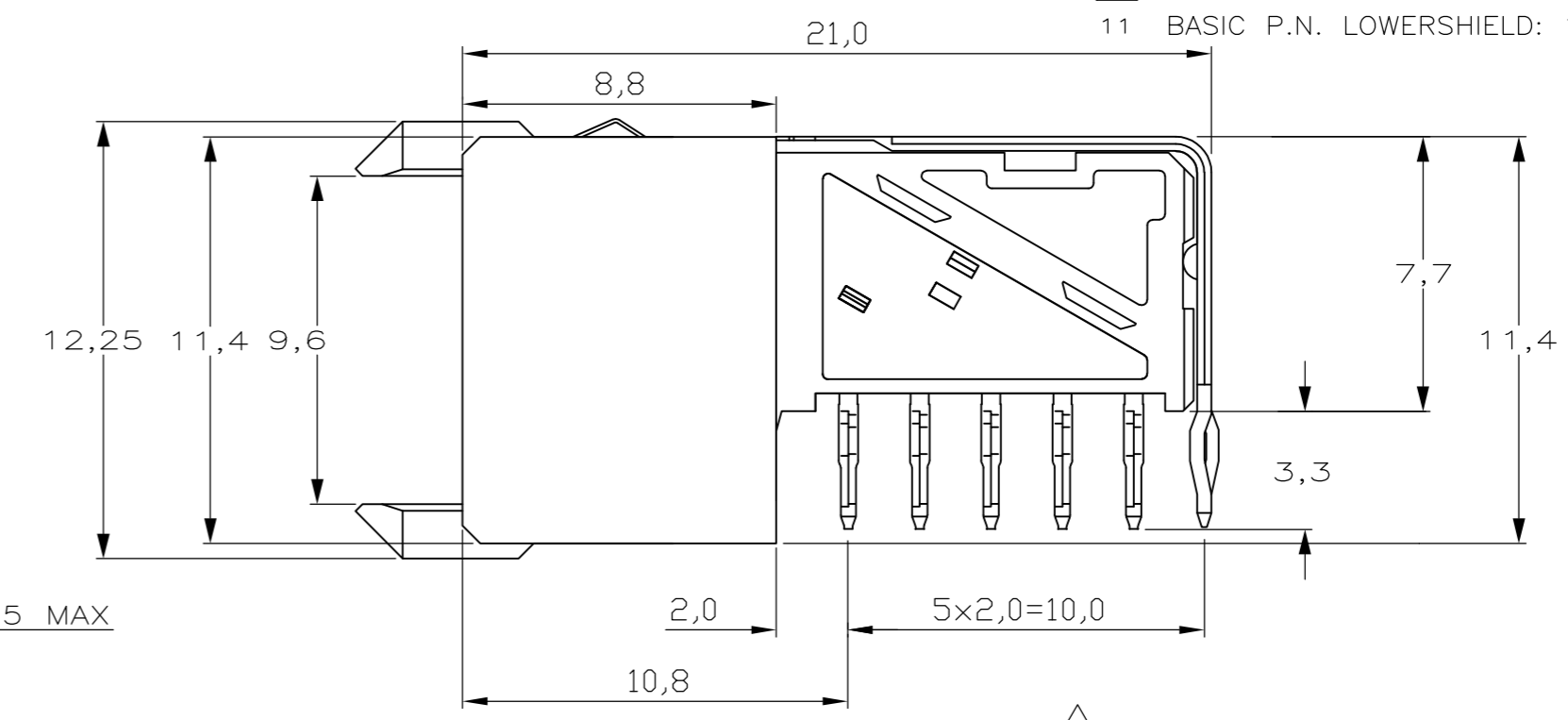
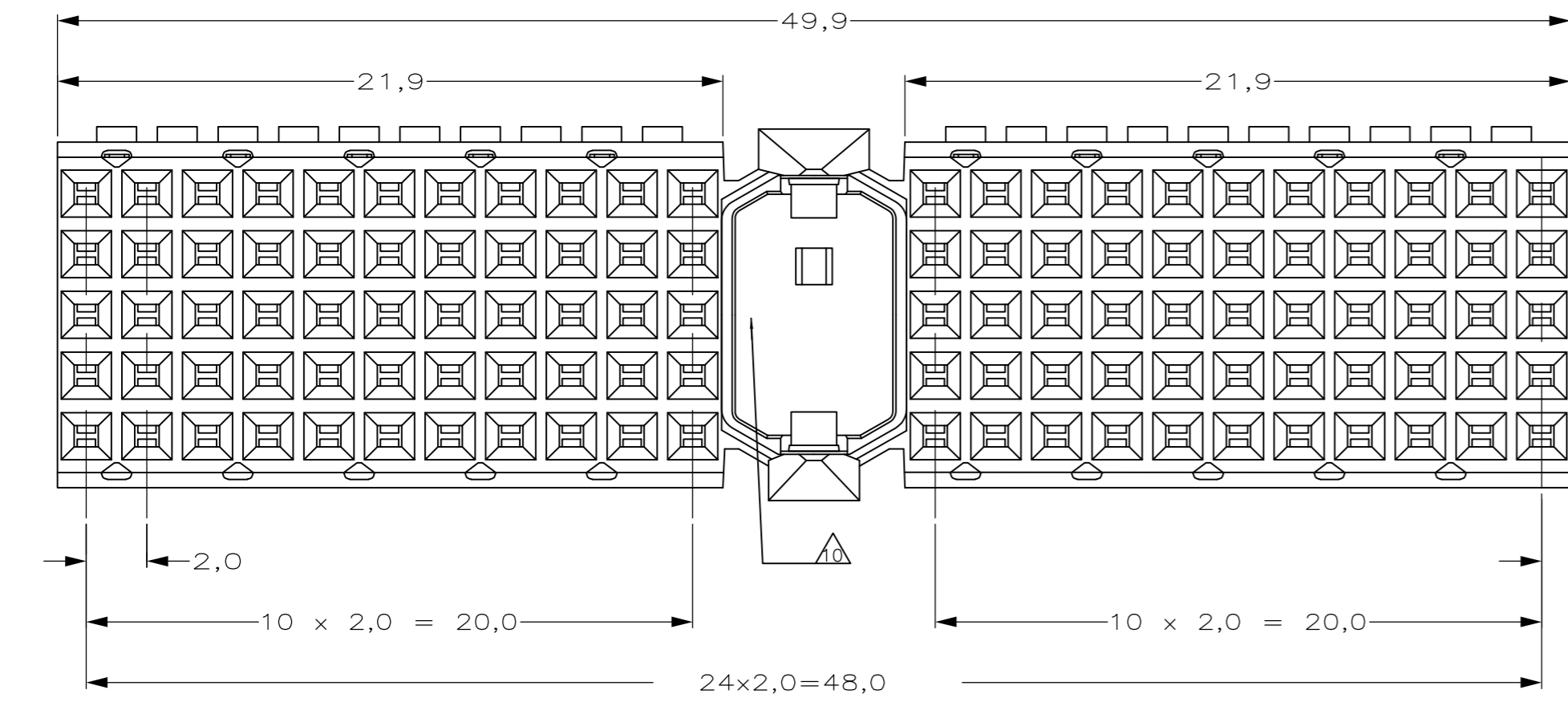


THIS DRAWING IS UNPUBLISHED. RELEASED FOR PUBLICATION  
 © COPYRIGHT BY TYCO ELECTRONICS CORPORATION. ALL RIGHTS RESERVED.

LOC	DIST	P	LTR	REVISIONS	DATE	DWN	APVD
J	-	A		ECR-12-007088	17APR2012	SY	AC

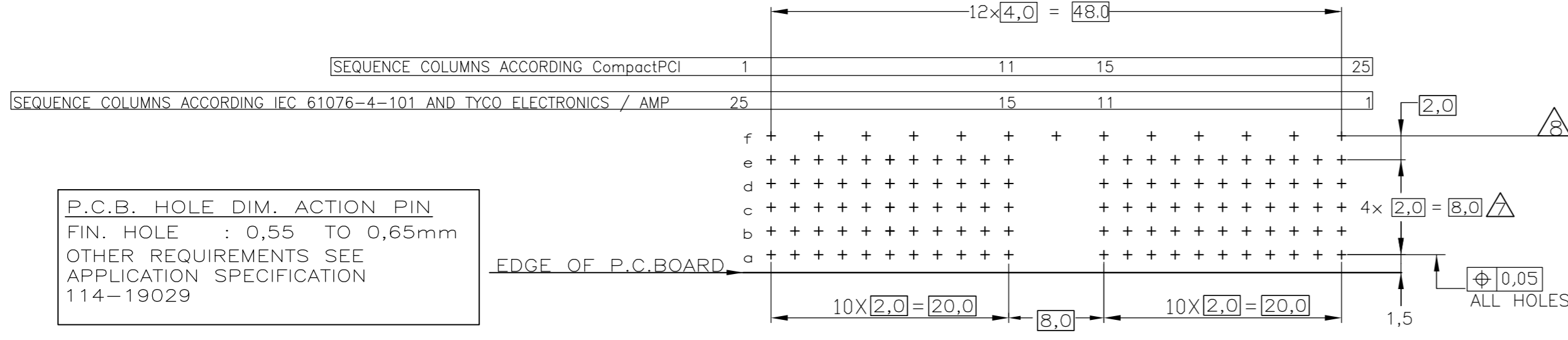


- ⚠ PLATING CONNECTOR:  
CONTACT AREA: 0,76µm Au MIN. OVER 1,27µm Ni MIN.  
ACTION PIN : 0,5µm SnPb MIN. OVER 1,27µm Ni MIN.
- ⚠ PLATING CONNECTOR:  
CONTACT AREA: 0,76µm Au MIN. OVER 1,27µm Ni MIN.  
ACTION PIN : 0,5µm Sn MIN. OVER 1,27µm Ni MIN.
- ⚠ PLATING SHIELD:  
CONTACT AREA: 0,76µm Au MIN.  
ACTION PIN : 0,5µm SnPb MIN.  
REMAINDER : Ni
- ⚠ PLATING SHIELD:  
CONTACT AREA: 0,76µm Au MIN.  
ACTION PIN : 0,5µm Sn MIN.  
REMAINDER : Ni
- ⚠ MATERIAL CONTACTS; PHOSPHORBRONZE  
MATERIAL SHIELD; PHOSPHORBRONZE  
MATERIAL HOUSING; GLASSFILLED POLYESTER (GRAY)
- ⚠ ASSEMBLY PRINTED WITH P/N AND DATECODE  
THE MARKING CAN APPEAR ON THE FRONT SIDE OR  
BACK SIDE.
- ⚠ HOLE PATTERN FOR FEMALE CONNECTOR TYPE A  
110 PLATED-THROUGH HOLES AT 2x2mm SQUARE GRID
- ⚠ ROW "f" 13 PLATED THROUGH HOLES FOR UPERSHIELD
- ⚠ CONNECTOR LUBRICATED WITH BELLCORE  
APPROVED LUBRICANT, TECHNICAL REFERENCE  
TR-NWT-001217 ISSUE 1, SEPT. 1992.
- ⚠ CONNECTOR TESTED AND QUALIFIED ACCORDING BELLCORE  
QUALITY LEVEL III, CENTRAL OFFICE APPLICATIONS
- ⚠ AREA RESERVED FOR KEYING PART (BASIC P.N. 100526)  
BASIC P.N. LOWERSHIELD: 1746790



⚠ OBSOLETE PARTS: OBSOLETE CIS STREAMLINING PER D.RENAUD/D.SINISI

COMPONENT SIDE AS SHOWN  
 RECOMMENDED PCB-HOLE LAY-OUT  
 SCALE 2,5:1



P.C.B. HOLE DIM. ACTION PIN  
 FIN. HOLE : 0,55 TO 0,65mm  
 OTHER REQUIREMENTS SEE  
 APPLICATION SPECIFICATION  
 114-19029

OBSOLETE	FINISH	MATERIAL	PART NUMBER
⚠	⚠	⚠	1-1746992-9
⚠	⚠	⚠	1-1746992-1
⚠	⚠	⚠	1746992-9
⚠	⚠	⚠	1746992-1

THIS DRAWING IS A CONTROLLED DOCUMENT.

DWN	T.KATANO	10MAY04	Tyco Electronics AMP K.K. Kawasaki, Japan
CHK	T.KIMURA	14MAY04	
APVD	K.IKEGAMI	14MAY04	
NAME	名称		
PRODUCT SPEC	製品規格		Z-PACK 2mm HM
APPLICATION SPEC	取付適用規格		110 POS. FEMALE CONNECTOR TYPE A WITH GROUND RETURN UPPER SHIELD
WEIGHT	-	-	SIZE A2
CUSTOMER DRAWING	SCALE 5:1		CAGE CODE 00779
DRAWING NO. 114-19029			DRAWING NO. 1746992
MATERIAL SEE TABLE			RESTRICTED TO -
FINISH SEE TABLE			SHEET 1 OF 1
FINISH 仕上			REV A