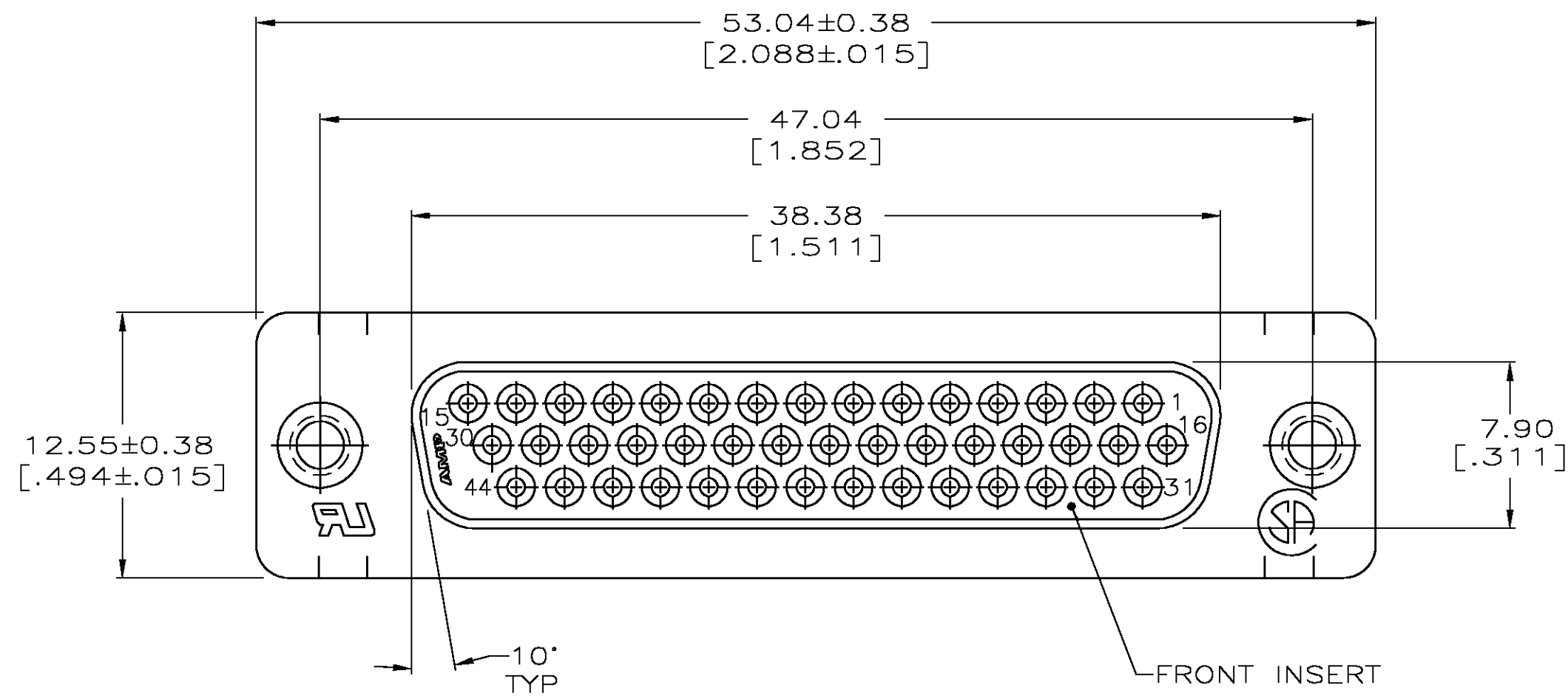


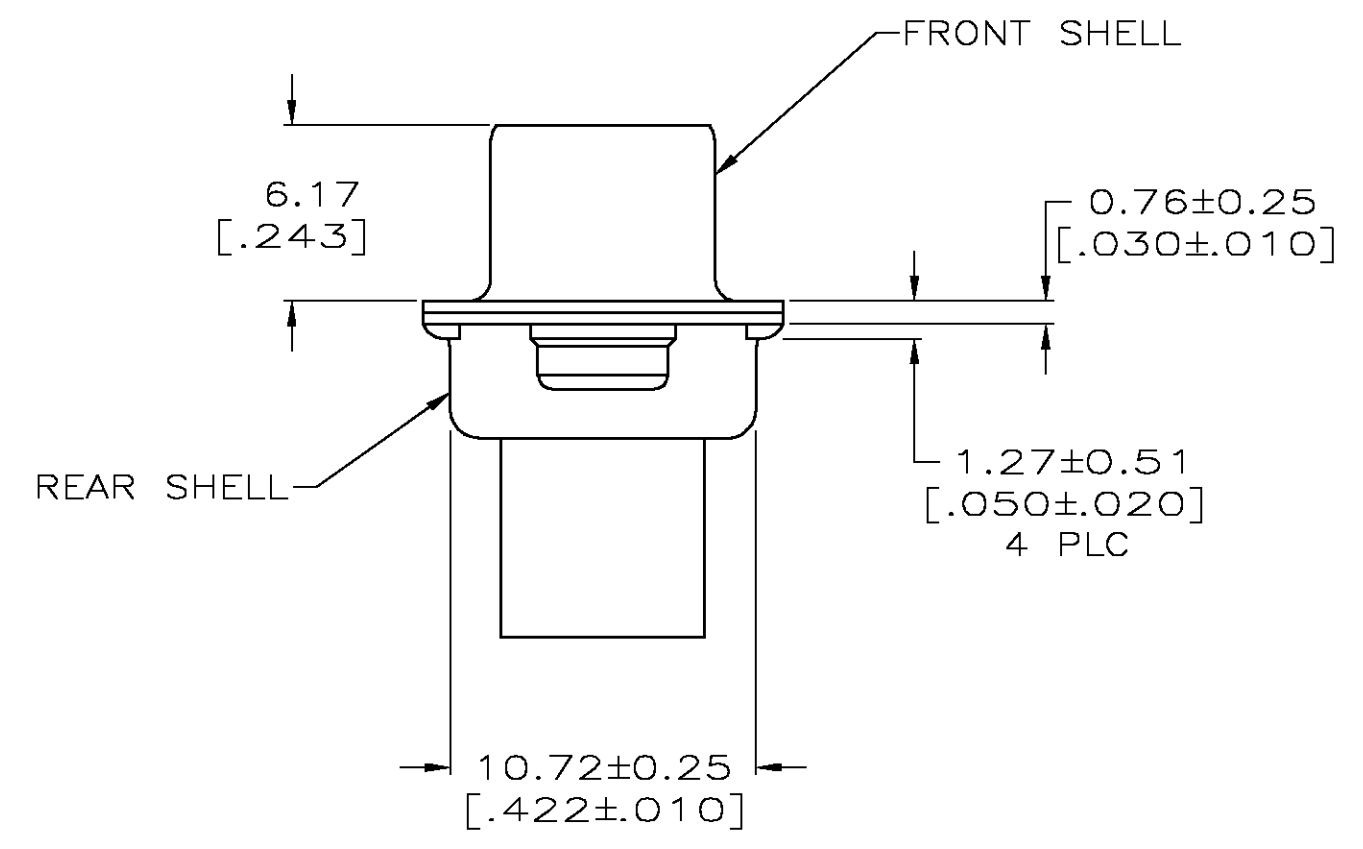
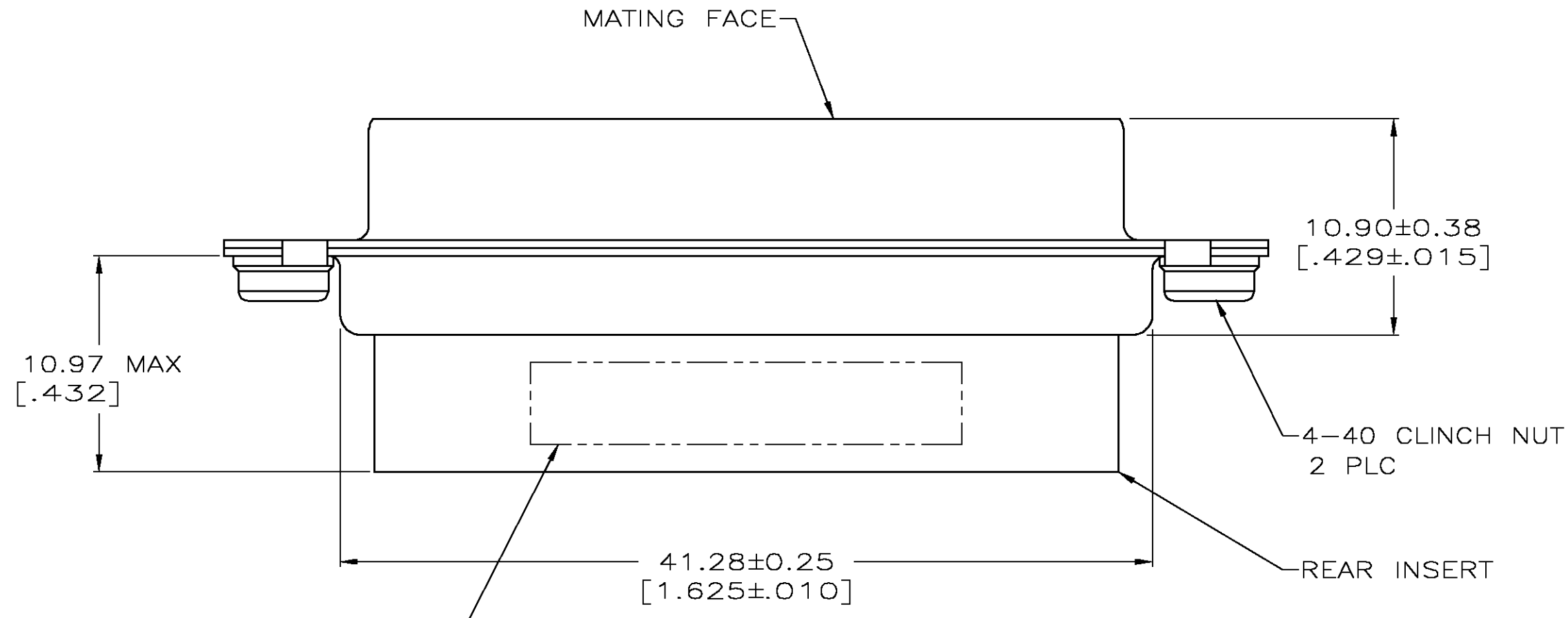
THIS DRAWING IS UNPUBLISHED. RELEASED FOR PUBLICATION  
 © COPYRIGHT BY TYCO ELECTRONICS CORPORATION. ALL RIGHTS RESERVED.

LOC	DIST	REVISIONS			
P	LTR	DESCRIPTION	DATE	DWN	APVD
GP	00	0	RELEASED PER EC 0513-0257-04	11-11-04	GA JG

D  
C  
B  
A



- CONNECTOR ACCEPTS SIZE 22 DF SOCKET CONTACTS, RETENTION TINES ARE AN INTEGRAL PART OF INSERT.
- INSERTS: NYLON, BLACK, UL 94V-0 RATED.
- SHELLS & CLINCH NUTS: CARBON STEEL PER ASTM A109.
- SHELLS: 5.08 μm [.000200] MIN TIN OVER 2.54 μm [.000100] MIN COPPER.
- CLINCH NUTS: ZINC PLATED PER ASTM B633, TYPE II, CLASS SCI, CLEAR CHROMATE.



MANUFACTURERS LOGO, PART NO AND DATE CODE MARKED IN AREA INDICATED, ON FAR SIDE.

5786583  
 5786583-1  
 PART NO

THIS DRAWING IS A CONTROLLED DOCUMENT.		DWN G. ATTADIA - DOCK5 11-11-04	Tyco Electronics Corporation Harrisburg, PA 17105-3608	
DIMENSIONS: mm [INCHES]		CHK J. GERACE 11-11-04	APVD M. WALMSLEY 11-11-04	
TOLERANCES UNLESS OTHERWISE SPECIFIED:		PRODUCT SPEC 108-1268		NAME RECEPTACLE ASSY, SIZE 3, 44 POSITION, HDP-22 AMPLIMITE
0 PLC ± - 1 PLC ± - 2 PLC ± 0.13±.005 3 PLC ± - 4 PLC ± -		APPLICATION SPEC 114-10001		RESTRICTED TO
MATERIAL 2 3		WEIGHT -		SIZE A2
FINISH 4 5		CUSTOMER DRAWING		CAGE CODE 00779
		DRAWING NO 5786583		SCALE 4:1
		SHEET 1 OF 1		REV 0