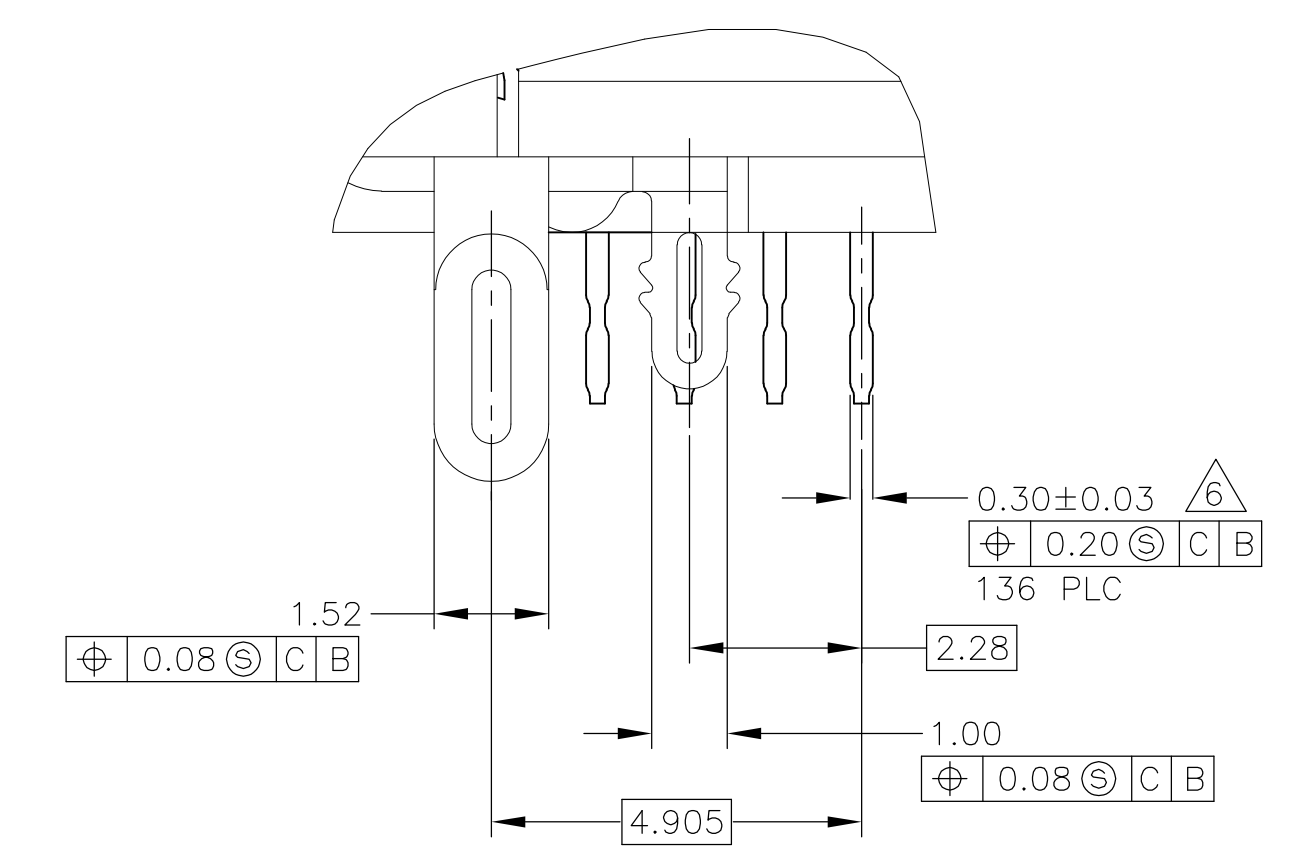
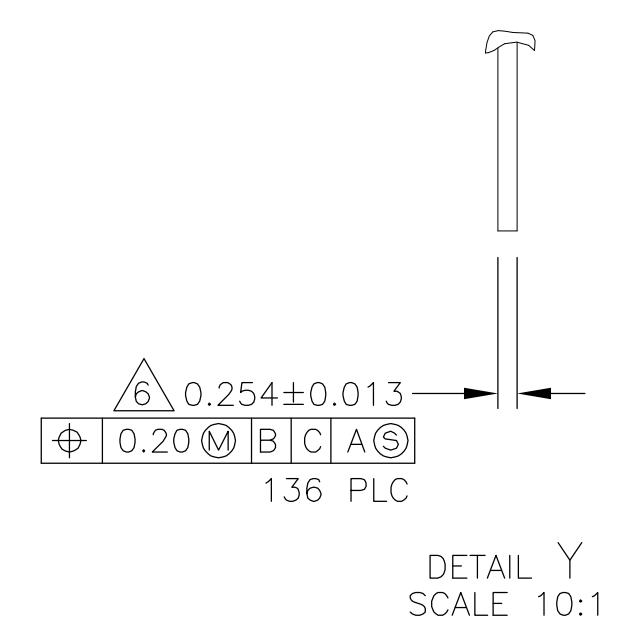


- ⚠ MOLDED PARTS: THERMOPLASTIC, BLACK, UL 94V-0 RATED.
SHELL: CARBON STEEL.
CONTACTS: PHOSPHOR BRONZE.
BRACKETS: STEEL.
- ⚠ SHELL: 5.08μm MIN NICKEL OVER 2.54μm MIN COPPER.
CONTACTS: 0.76μm MIN GOLD ON MATING END, 3.75μm MIN TIN ON SOLDER TAILS, BOTH OVER 1.27μm MIN NICKEL OVER ENTIRE CONTACT.
BRACKETS: TIN PLATED.
- 3. CONTACTS DESIGNED FOR USE ON 1.60±0.15 THICK PC BOARD WITH PLATED THRU MOUNTING HOLES.
- 4. RECEPTACLE ASSEMBLY DESIGNED FOR USE WITH 1.12±0.08 THICK PANEL.
- ⚠ DATUMS AND DIMENSIONS ESTABLISHED BY CUSTOMER.
- ⚠ POSITION TOLERANCE APPLIES AT CONTACT TIP ONLY.
- ⚠ OFFSET DIMENSION APPLIES TO LOWER FOOTPRINT ONLY.
- ⚠ CONTACTS DESIGNED FOR USE ON 2.35±0.15 THICK PC BOARD WITH PLATED THRU MOUNTING HOLES.
- ⚠ DATE CODE MARKED IN APPROXIMATE AREA SHOWN.



DETAIL W
SCALE 10:1



DETAIL Y
SCALE 10:1

⚠	3.55	5787962-2
⚠	2.27	5787962-1
REMARKS	S	PART NUMBER

THIS DRAWING IS A CONTROLLED DOCUMENT.		DWN: J.GERACE 24JAN05	Tyco Electronics Corporation Harrisburg, PA 17105-3608	
DIMENSIONS: mm		CHK: S.SHUEY 24JAN05	NAME: M.WALMSLEY 24JAN05	
TOLERANCES UNLESS OTHERWISE SPECIFIED:		PRODUCT SPEC: 108-1471-1		
0 PLC ± -		APPLICATION SPEC: 114-6057		
1 PLC ± -		SIZE: A1	CAGE CODE: 00779	DRAWING NO: 5787962
2 PLC ± 0.13		RESTRICTED TO: -		
3 PLC ± -		CUSTOMER DRAWING		
4 PLC ± -		SCALE: 5:1		
ANGLES ± 1°		SHEET: 1 OF 2		
FINISH		REV: C		

