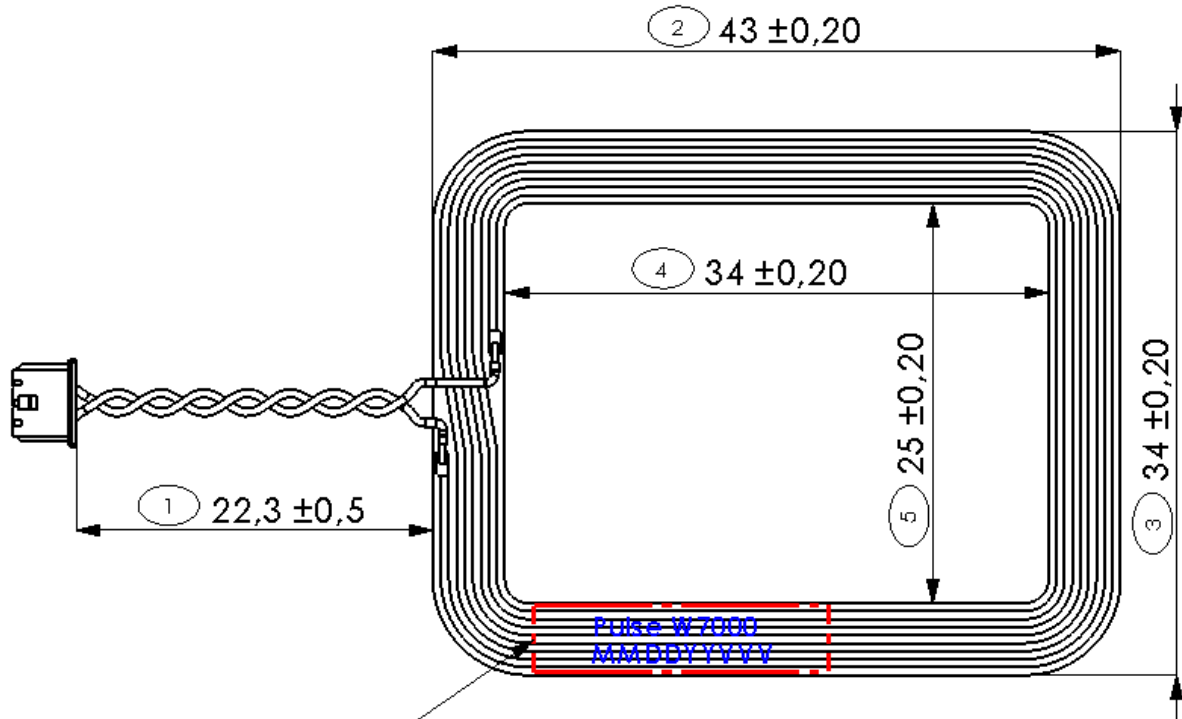


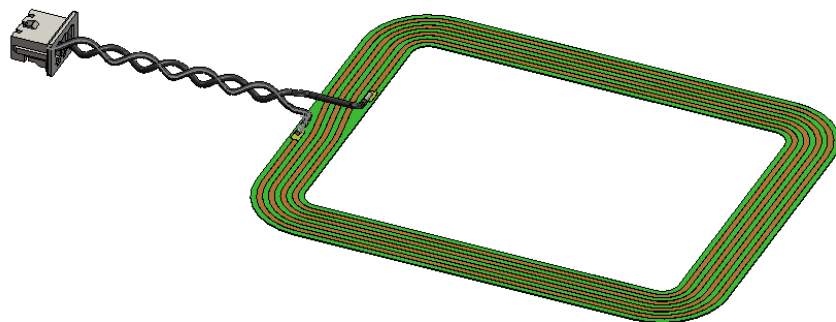
NFC Planar Sheet Antenna with wire and connector

**W7000**

Series : NFC



Marking area



**Issue: 1302**

In the effort to improve our products, we reserve the right to make changes judged to be necessary.

**CONFIDENTIAL AND PROPRIETARY INFORMATION**

This document contains confidential and proprietary information of Pulse Electronics, Inc. (Pulse) and is protected by copyright, trade secret and other state and federal laws. Its receipt or possession does not convey any rights to reproduce, disclose its contents, or to manufacture, use or sell anything it may describe. Reproduction, disclosure or use without specific written authorization of Pulse is strictly forbidden

**NFC Planar Sheet Antenna with wire and connector**

**W7000**

Series : **NFC**

**Applications**

Near field communication

Sharing & pairing

**Features**

Frequency:	13.56MHz
Size:	43 x 34mm
Connector:	Molex Picoblade 51021-0300

**Electrical specification @ +25°C**

Frequency Range: *	13.56MHz
Reading distance (mm): *	36 Grid scan (avg)
Self Resonance Frequency: **	75.5 MHz
Inductance @ 13.56MHz: **	1.27 $\mu$ H
Impedance @ 13.56MHz: *	50 Ohm
Resistance @ 13.56MHz: **	2.2 Ohm
Q-factor @ 13.56MHz: **	49
Operating Temperature:	-30 to +85°C

Note: Measured in HP mock-up

\* With matching network

\*\* Bare coil without any matching network

**Mounting of NFC antenna**

1. Surface texture of face of joint: VDI 3400 NO. 24 (Ra 1.6) of equal
2. Double-curvature on face of joint are not recommended

**Issue: 1302**

In the effort to improve our products, we reserve the right to make changes judged to be necessary.

**CONFIDENTIAL AND PROPRIETARY INFORMATION**

This document contains confidential and proprietary information of Pulse Electronics, Inc. (Pulse) and is protected by copyright, trade secret and other state and federal laws. Its receipt or possession does not convey any rights to reproduce, disclose its contents, or to manufacture, use or sell anything it may describe. Reproduction, disclosure or use without specific written authorization of Pulse is strictly forbidden

