

4

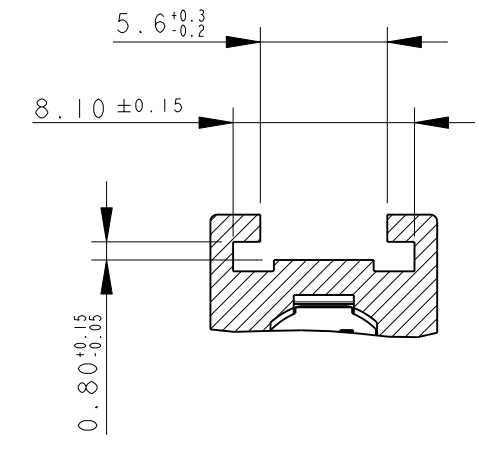
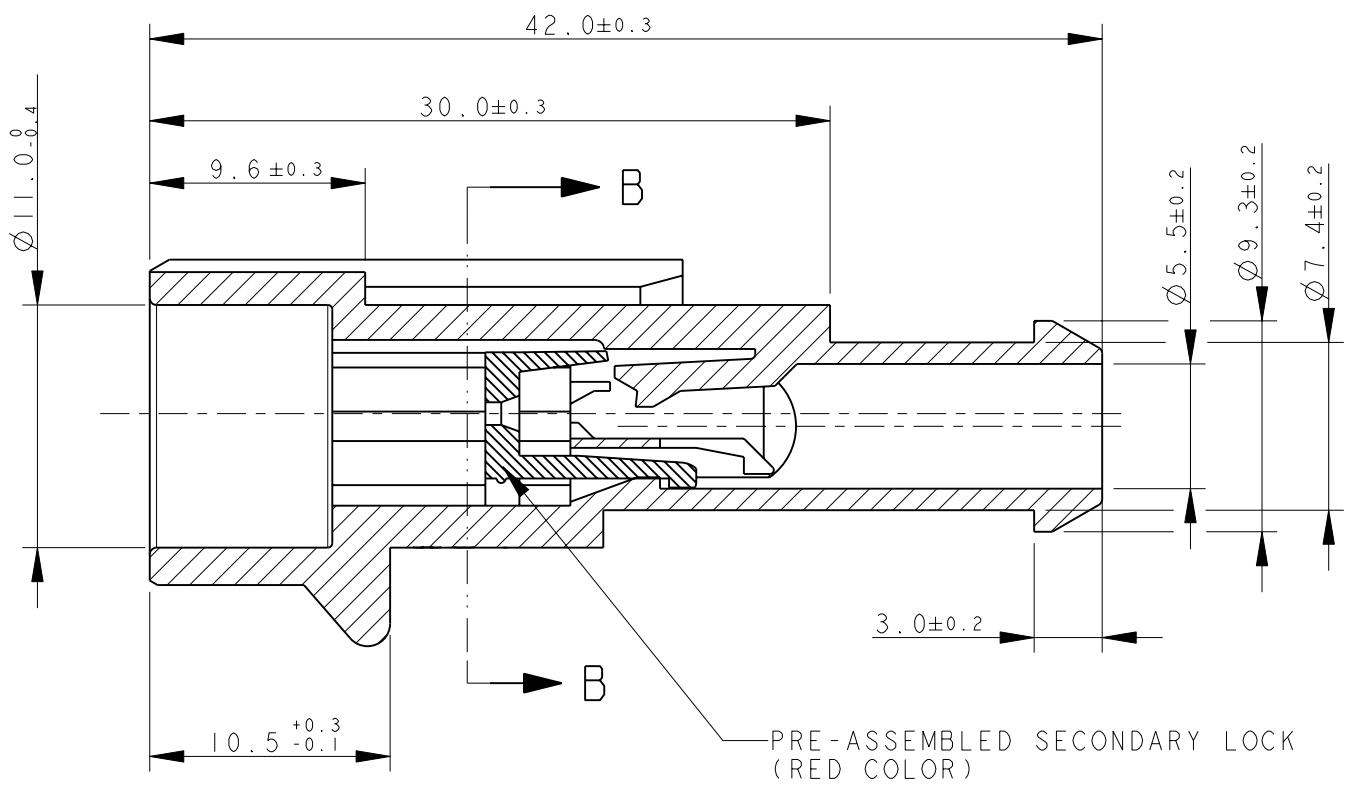
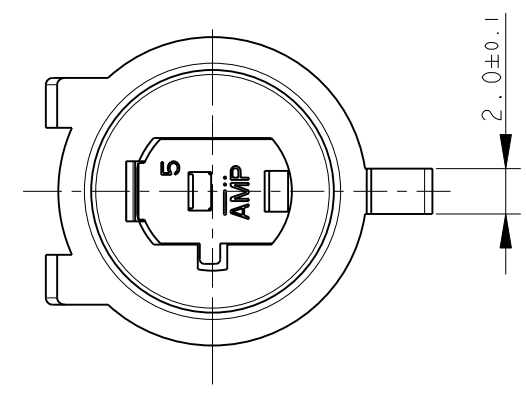
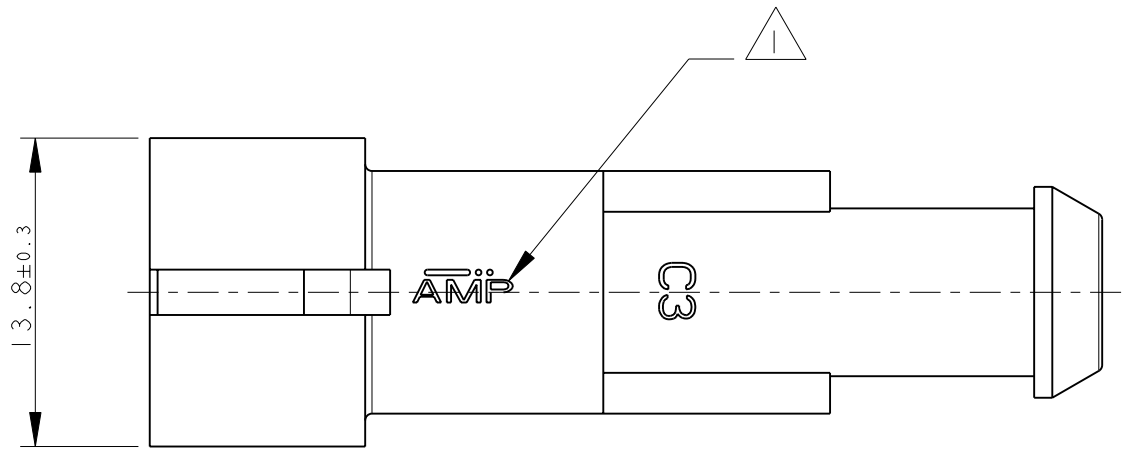
3

2

1

THIS DRAWING IS UNPUBLISHED. RELEASED FOR PUBLICATION 2009
 © COPYRIGHT 2009 BY TYCO ELECTRONICS CORPORATION. ALL INTERNATIONAL RIGHTS RESERVED.

LOC	DIST	REVISIONS					
		P	LTR	DESCRIPTION	DATE	DWN	APVD
1	-		B	REDRAWN (ECR-10-004138)	02MAR2010	M.G.	M.G.



PART SECTION B - B

GRAY	PA66-GF	282103-2
BLACK	PA66-GF	282103-1
FINISH/COLOR	MATERIAL	PART NUMBER

LOGO "AMP" O, IN ALTERNATIVA, LOGO TYCO ELECTRONICS ("AMP" TRADE MARK OR, IN ALTERNATIVE, TYCO ELECTRONICS TRADE MARK)

THIS DRAWING IS A CONTROLLED DOCUMENT FOR TYCO ELECTRONICS CORPORATION IT IS SUBJECT TO CHANGE AND THE CONTROLLING ENGINEERING ORGANIZATION SHOULD BE CONTACTED FOR THE LATEST REVISION.		DWN C. BERTINI 02-1990 CHK A. BRUNI 02-1990 APVD - PRODUCT SPEC 108-20090 APPLICATION SPEC - WEIGHT -		Tyco Electronics Tyco Electronics AMP Italia S.r.l. Corso F.lli Cervi,15 - Collegno (TO)	
DIMENSIONS: mm 		TOLERANCES UNLESS OTHERWISE SPECIFIED: 0 PLC ±- 1 PLC ±0.3 2 PLC ±- 3 PLC ±- 4 PLC ±- ANGLES ±2° MATERIAL - FINISH -		NAME AMP SUPERSEAL 1.5 SRS. 1 POSITION TAB ASS'Y SIZE A3 CAGE CODE 00779 DRAWING NO C-282103 RESTRICTED TO -	
CUSTOMER DRAWING		SCALE 3:1		SHEET 1 OF 1 REV B	