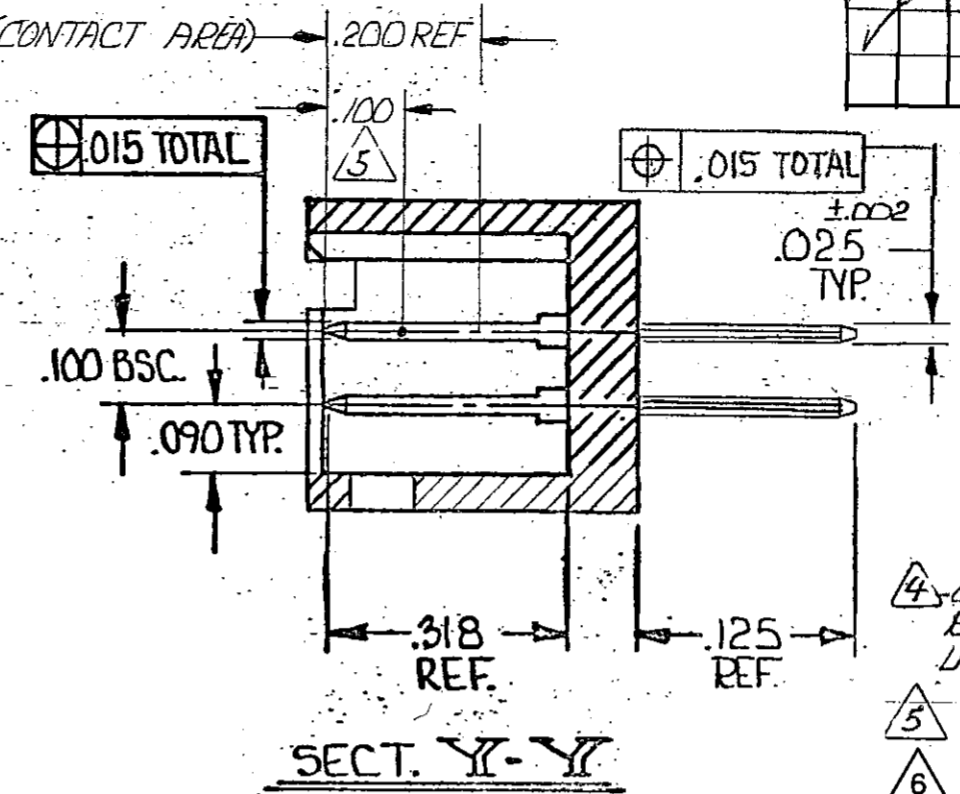
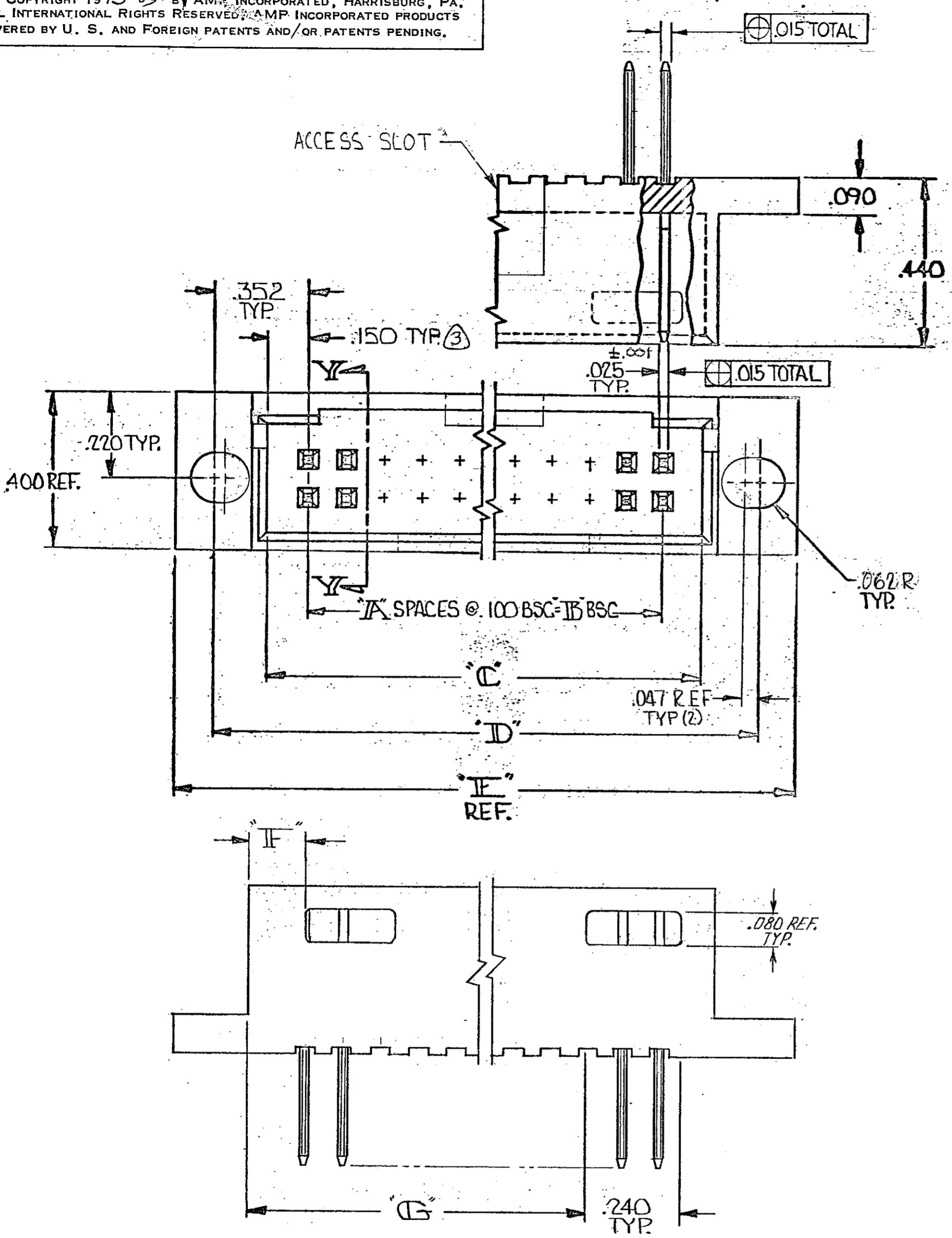


© COPYRIGHT 1975-83 BY AMP INCORPORATED, HARRISBURG, PA. ALL INTERNATIONAL RIGHTS RESERVED. AMP INCORPORATED PRODUCTS COVERED BY U. S. AND FOREIGN PATENTS AND/OR PATENTS PENDING.

REVISIONS						
P	F	ZONE	LTR	DESCRIPTION	DATE	APPROVED
✓			G	REV PER AD-5084	2-1-91	RF
✓			H	REV PER AD-5161	2-1-91	RF
✓			J	REV PER 0010-0931-93	RAC 9-93	JA
✓			K	REV PER 0310-0146-96	ED 2-27-97	JAS
✓			L	REV PER 0310-0437-97	CB 12-3-97	SAS
			L1	REVISED PER ECO-10-000445	JAN10	HMR



① .000030 GOLD ON CONTACT AREA, GOLD FLASH ON SOLDER AREA ALL OVER .000050 MIN. NICKEL ON ENTIRE POST.

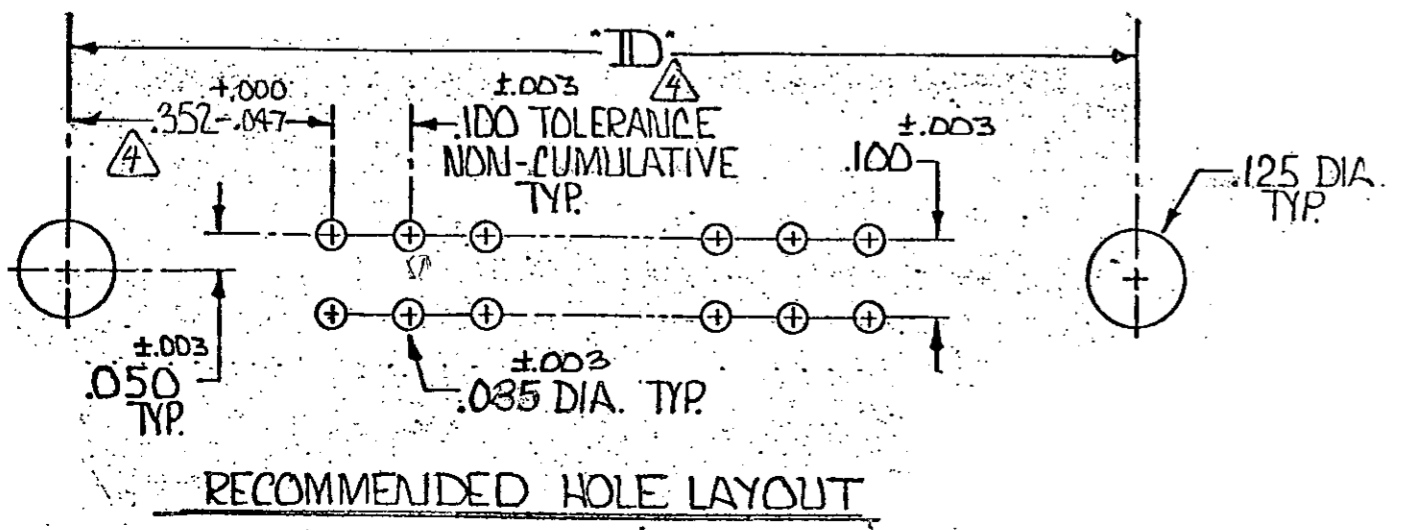
② WILL ALSO MATE WITH OTHER CONNECTORS WHICH ARE COMPATIBLE WITH THE .150 END DIM AND WILL MATE W/MOD IV HAVING FOUR EXTRA EMPTY CIRCUITS (TWO EA. END) --- EX: 20 POS. POST HEADER WILL MATE WITH 24 POS. MOD IV HOUSING.

④ CUSTOMER P.C. BRD. LAYOUT MAY VARY WITHIN THIS RANGE. WHEN MATING WITH MOD IV CONNECTORS UTILIZING JACKSCREW HARDWARE USE D-.091" AND .305 TYP.

⑤ POINT OF MEASUREMENT FOR PLATING THICKNESS.

⑥ OBSOLETE PARTS: OBSOLETE CIS STREAMLINING PER D.RENAUD/D.SINISI

	2.890	.190	3.804	3.604	3.100	2.900	29	①	60	2-87474-6
	2.790		3.704	3.504	3.100	2.800	28		58	2-5
	2.690		3.604	3.404	3.000	2.700	27		56	2-4
	2.590		3.504	3.304	2.900	2.600	26		54	2-3
	2.490		3.404	3.204	2.800	2.500	25		52	2-2
	2.390		3.304	3.004	2.600	2.300	23		48	2-1
	2.190		3.104	2.904	2.500	2.100	22		46	2-0
	2.090		3.004	2.804	2.400	2.100	21		44	1-9
	1.990		2.904	2.704	2.300	2.000	20		42	1-8
	1.690		2.604	2.404	2.000	1.700	17		36	1-7
	1.490		2.404	2.204	1.800	1.500	15		32	1-6
	1.390		2.304	2.104	1.700	1.400	14		30	1-5
	1.290		2.204	2.004	1.600	1.300	13		28	1-4
⑥ OBSOLETE	1.090		2.004	1.804	1.400	1.100	11		24	1-3
OBSOLETE	.990	.190	1.904	1.704	1.300	1.000	10		22	1-2
OBSOLETE		.490	1.704	1.504	1.100	.800	8		18	1-1
OBSOLETE		.390	1.604	1.404	1.000	.700	7		16	1-0
⑥ OBSOLETE		.390	1.504	1.304	.900	.600	6		14	1-9
OBSOLETE		.290	1.404	1.204	.800	.500	5		12	1-8
	2.390	.190	3.304	3.104	2.700	2.400	24	①	50	87474-7
	1.890	.190	2.804	2.604	2.200	1.900	19		40	1-6
OBSOLETE	1.790	.190	2.704	2.504	2.100	1.800	18		38	1-5
	1.590	.190	2.504	2.304	1.900	1.600	16		34	1-4
⑥ OBSOLETE	1.190	.190	2.104	1.904	1.500	1.200	12		26	1-3
	.890	.190	1.804	1.604	1.200	.900	9		20	1-2
		.290	1.304	1.104	.700	.400	4	①	10	87474-1
	G	IF	IE	ID	IC	IB	IA	FINISH	NO. OF POS.	PART NO



UNLESS OTHERWISE SPECIFIED DIMENSIONS ARE IN INCHES. TOLERANCES ON: DECIMALS ± .005 ANGLES ± .005	CONTRACT NO	AMP INCORPORATED Harrisburg, Pa.	
	DR: <i>K. Wolfe</i> 10-13-75	NAME	
	CHK: <i>D.M. Wolfe</i> 10-14-75	HEADER ASSY., MOD II, .025 SQ. POST, DBL. ROW, .100 x .100 CENTERS, W/MTG. EARS & DETENT SLOTS (MATES W/AMP LATCH OR FFC) (2)	
	MATERIAL HSG. = GLASS FILLED NYLON COLOR - BLACK POST = PHOS. BRONZE	APPD: <i>B. Bennett</i> 10-14-75	SIZE CODE IDENT NO DRAWING NO
FINISH SEE TABLE	APPD: <i>C. Lopinski</i> 10/17/75	C 00779 87474	
	DSGN APPD	SCALE SHEET	
	OTHER APPD		