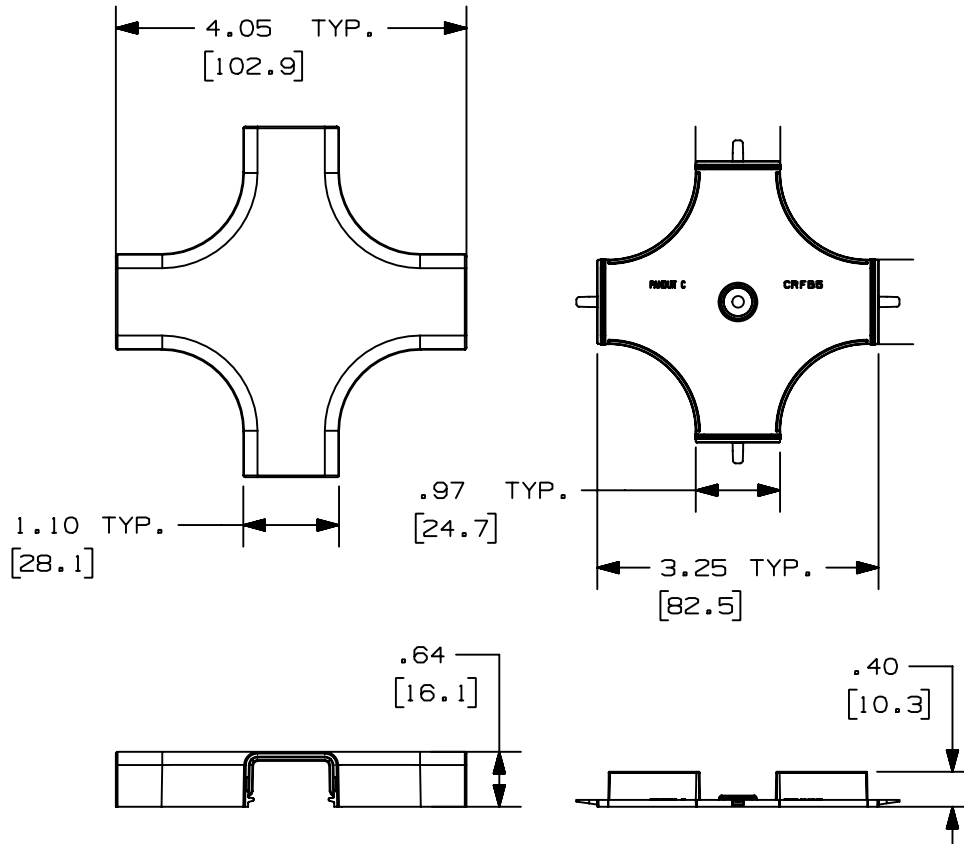
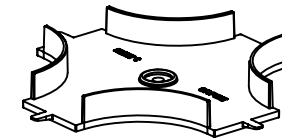
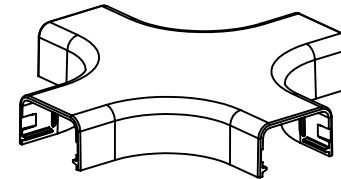


THIS COPY IS PROVIDED ON A RESTRICTED BASIS AND IS NOT TO BE USED IN ANY WAY DETRIMENTAL TO THE INTERESTS OF PANDUIT CORP.



| | |
|-------------|----------------------------------|
| PANDUIT P/N | WEIGHT |
| CRFX5 | .59 LB/ 10PCS. (268g/ 10PCS.) |

- NOTES:**
- SEE CURRENT CATALOG FOR ADDITIONAL PART SUFFIXES TO INDICATE COLOR AND OR PACKAGE QUANTITY.
 - DIMENSIONS IN PARENTHESIS ARE IN METRIC.



CAD FILENAME/LAYERS D37523BE_DC_CRFX5_00A.PRT

PANDUIT CORP. TINLEY PARK, ILLINOIS
 POWER LATCHING LDP5
 CROSS (CRFX5)
 CUSTOMER DRAWING

UNLESS OTHERWISE SPECIFIED, DIMENSIONAL TOLERANCES ARE:
 (.X) ± (.XXX) ±
 (.XX) ±.03 (.8) ANGLES ±

UNLESS OTHERWISE SPECIFIED, ALL DIMENSIONS ARE GIVEN IN INCHES, THIRD ANGLE PROJECTION.

| | | |
|------------------|---------------|-------------------------|
| DRAWN BY JHNU | MAT'L; ABS | SCALE NONE |
| DATE 09-28-00 | | DRAWING NO. 37523-05 |
| CHK'D PM | | DWG A SIZE |

| | | | | | | | | |
|-----|----------|------|-----|------------------------|----------|------|-----|--|
| R | 09-28-00 | JHNU | PM | RELEASED TO PRODUCTION | 37523-05 | HIW | HIW | |
| REV | DATE | BY | CHK | DESCRIPTION | ECN - R | CUST | SUP | |